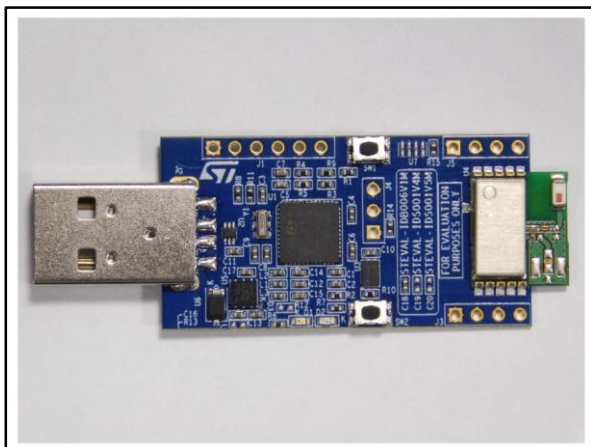

Bluetooth® Low Energy USB dongle based on the SPBTLE-RF module

Data brief

**Description**

The STEVAL-IDB006V1M is an evaluation board based on the SPBTLE-RF module. The module is ETSI, FCC and IC certified and uses the BlueNRG-MS, a low power Bluetooth Smart IC which is compliant with the Bluetooth 4.1 specification and supports both master and slave roles. The SPBTLE-RF module integrates ST's BALF-NRG-01D3 balun and a chip antenna. The STEVAL-IDB006V1M is equipped with an STM32L low power microcontroller to control the BlueNRG, and also features a USB connector for PC GUI interaction and firmware update, such as the one available for the BlueNRG-MS evaluation kit.

An SWD connector allows the development of specific firmware on the microcontroller.

Features

- USB dongle for direct PC connection based on ETSI, FCC, IC certified BlueNRG-MS module SPBTLE-RF with integrated Balun and chip antenna
- On-board STM32L low power 32-bit ARM® Cortex-M3™ microcontroller
- Firmware and GUI fully compliant with BlueNRG-MS development kits
- Debug connector
- USB interface
- Bluetooth® Low Energy 4.1 compliant, supports both master and slave roles
- RoHS compliant

1 Schematic diagrams

Figure 1: STEVAL-IDB006V1M circuit schematic (1 of 4)

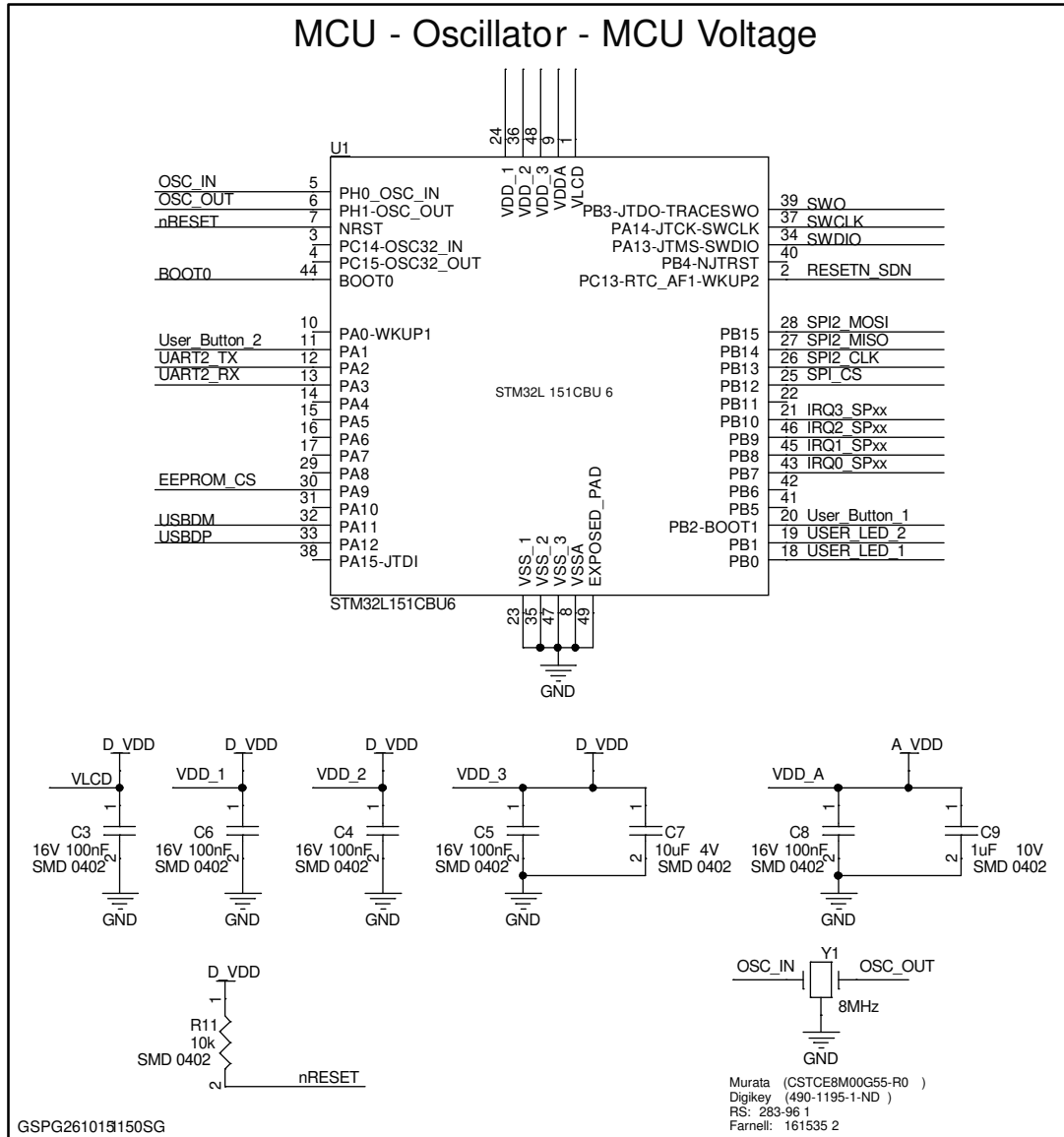


Figure 2: STEVAL-IDB006V1M circuit schematic (2 of 4)

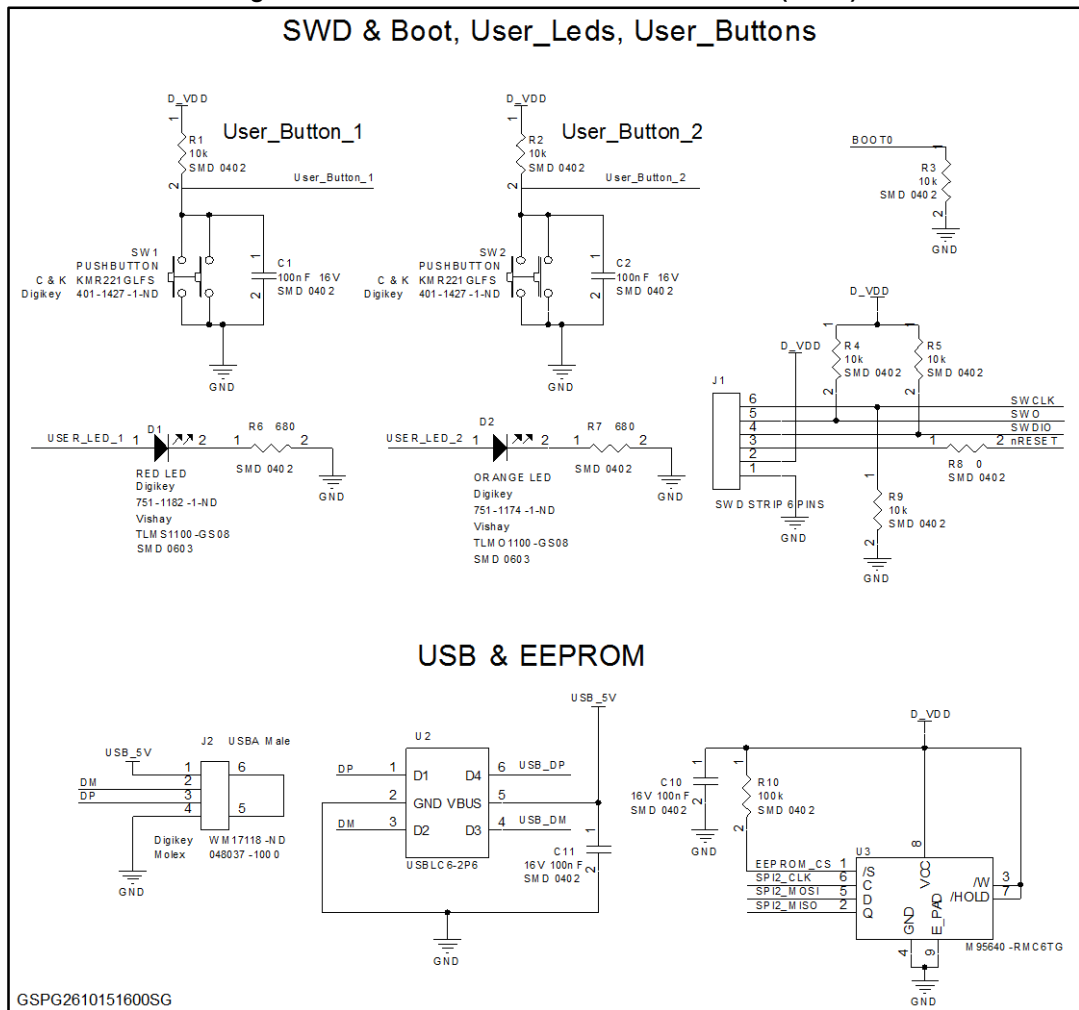


Figure 3: STEVAL-IDB006V1M circuit schematic (3 of 4)

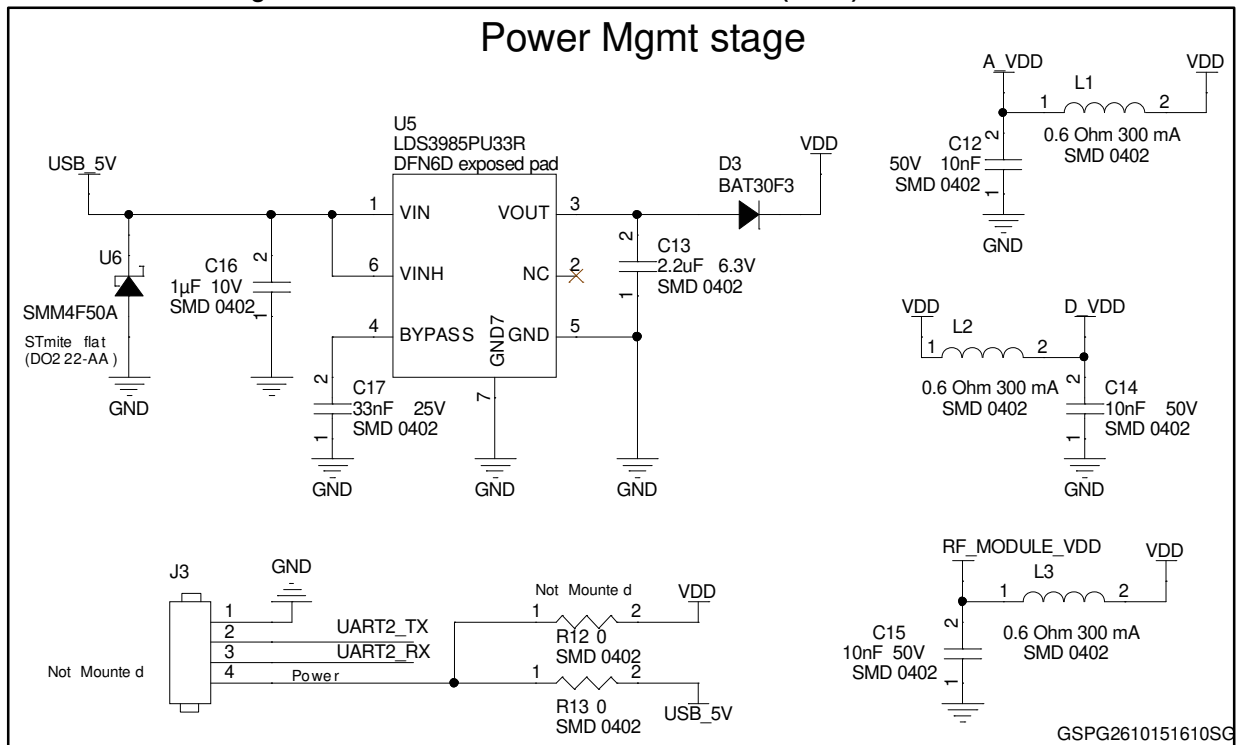
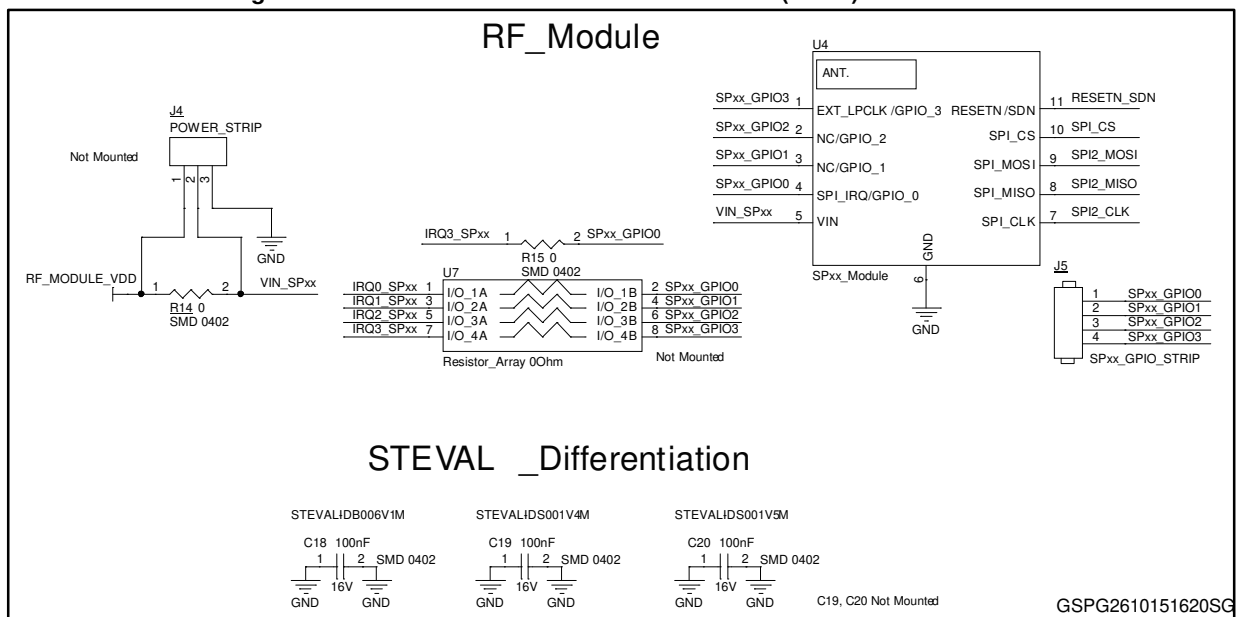


Figure 4: STEVAL-IDB006V1M circuit schematic (4 of 4)



2 Revision history

Table 1: Document revision history

Date	Version	Changes
06-Nov-2015	1	Initial release.

IMPORTANT NOTICE – PLEASE READ CAREFULLY

STMicroelectronics NV and its subsidiaries ("ST") reserve the right to make changes, corrections, enhancements, modifications, and improvements to ST products and/or to this document at any time without notice. Purchasers should obtain the latest relevant information on ST products before placing orders. ST products are sold pursuant to ST's terms and conditions of sale in place at the time of order acknowledgement.

Purchasers are solely responsible for the choice, selection, and use of ST products and ST assumes no liability for application assistance or the design of Purchasers' products.

No license, express or implied, to any intellectual property right is granted by ST herein.

Resale of ST products with provisions different from the information set forth herein shall void any warranty granted by ST for such product.

ST and the ST logo are trademarks of ST. All other product or service names are the property of their respective owners.

Information in this document supersedes and replaces information previously supplied in any prior versions of this document.

© 2015 STMicroelectronics – All rights reserved