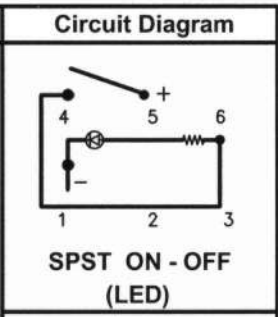
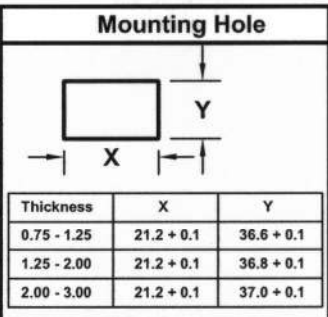
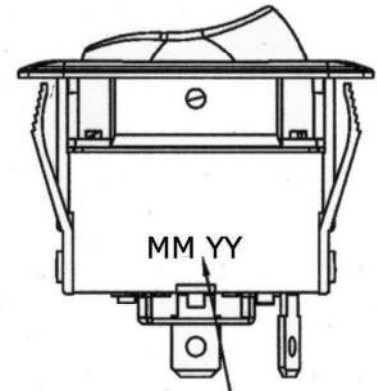
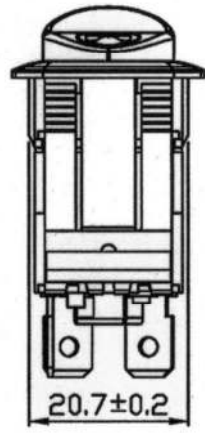
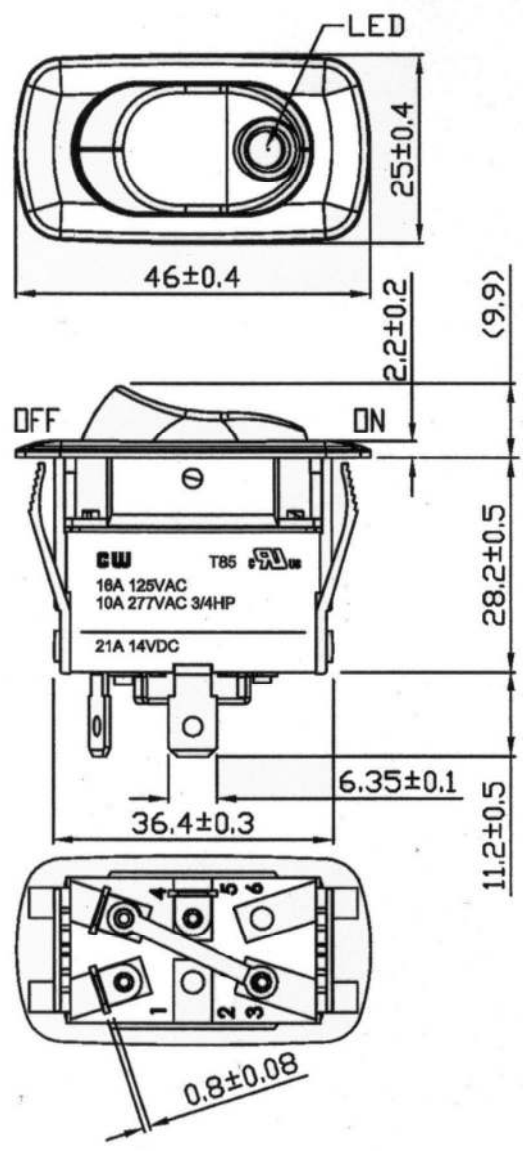


THIS INFORMATION IS CONFIDENTIAL AND PROPRIETARY TO CW INDUSTRIES INCORPORATED AND ITS AFFILIATES. IT MAY NOT BE DISCLOSED TO ANYONE, OTHER THAN CW INDUSTRIES PERSONNEL, WITHOUT WRITTEN AUTHORIZATION FROM CW INDUSTRIES INCORPORATED, SOUTHAMPTON, PENNSYLVANIA USA.

Rating	16A 125VAC, 10A 277VAC 3/4HP 125/277VAC	
Configured For	21A 14V DC	
Contact Resistance	50m ohm max.	
Insulation Resistance	DC 500V 100M ohm min.	
Dielectric Strength	AC 1500V 1 minute	
Operating Temperature	-20 °C ~ 85 °C	
Function	SPST ON - OFF LED Dependent	
Lamp Type	LED 12VDC / 14V Red w / resistor	



BASE COLOR: Black  
 BUTTON COLOR: Black  
 LED: Red



RoHS Compliant

2	Added Function, Lamp type & configured for to chart. 3/28/12.
1	Added 3/4HP 125/277VAC to rating. 1/31/11.

**cw INDUSTRIES**  
 Southampton, Pa. 18966  
 Tel 215.355.7080/www.cwind.com

Date Drawn: 1/31/11  
 Title: **ROCKER SWITCH**

Rev. 2 Unit: mm  
 Checked By: *G. Gold*

CW P/N: **GRB263A101RN1D**