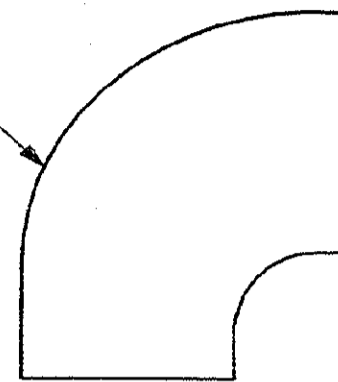


DRAWING MADE IN THIRD ANGLE PROJECTION

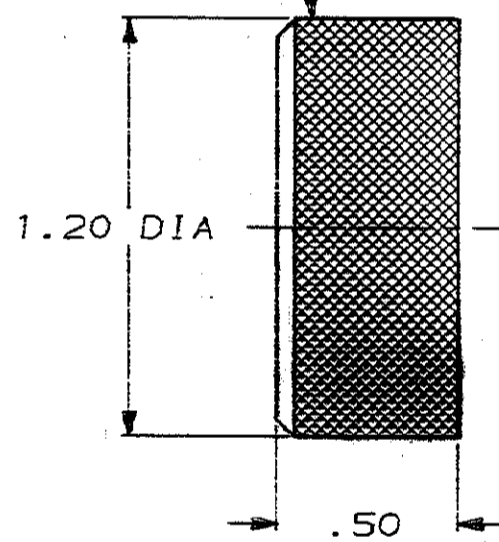
THIS DRAWING IS UNPUBLISHED. RELEASED FOR PUBLICATION .19  
 © COPYRIGHT 19 BY AMP INCORPORATED. ALL INTERNATIONAL RIGHTS RESERVED.

PROJ	LOC	DIST	REVISIONS	DATE	APPD
4081	DF	51	Q RLSE/NPR 88-474	OCT 11-88	CS

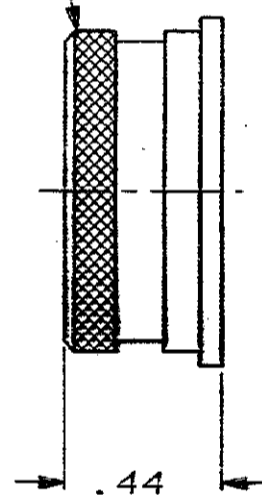
BOOT, SHRINKABLE, 90°  
 MAT'L: POLYOLEFIN



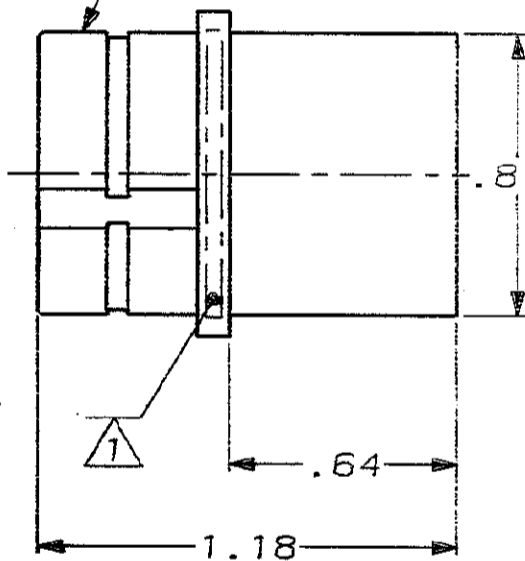
CAP  
 MAT'L: BRASS  
 FINISH: NICKEL  
 OVER COPPER FLASH



FERRULE  
 MAT'L: BRASS  
 FINISH: NICKEL  
 OVER COPPER FLASH

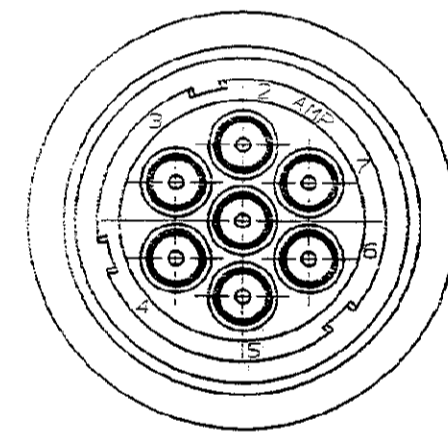
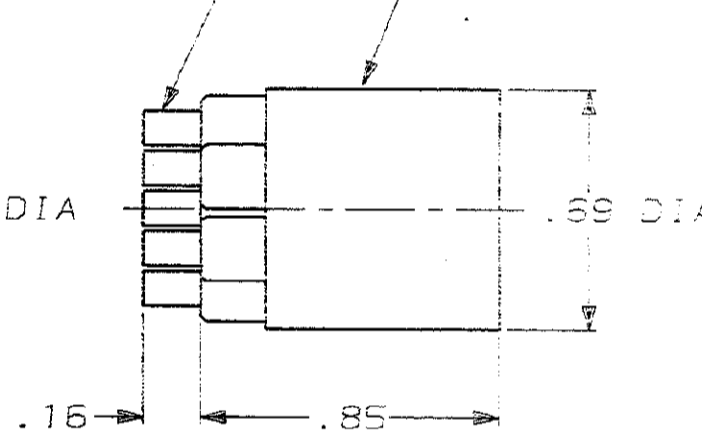


HOUSING  
 MAT'L: POLYESTER



SOCKET END

SLUG  
 MAT'L: SILICONE RUBBER



445729

AMP PART NO., CUSTOMER PART NO. AND SPECIAL DATE CODE INK STAMPED PER MIL-STD-130.

DO NOT SCALE PRINT. UNLESS SPECIFIED DIMENSIONS IN INCHES. TOLERANCES ON: 2 PLC DEC ± .03, 3 PLC DEC ± .015, ANGLES ± -		DR 11-17-88 C.C. THOMAS	CI-2A-074-003V-00		445729-1
MATERIAL: SEE CALLOUTS		CHK: <i>G. Schutte</i> 1-26-89	CUSTOMER PART NO.		PART NO.
FINISH: -		APPD: <i>M. Harden</i> 1-26-89	NAME		AMP INCORPORATED Harrisburg, Pa. 17105
APPLICATION SPEC: -		PRODUCT SPEC: -	PLUG KIT, 7 PIN MINIATURE, LGH		
WEIGHT: -		APPLY SPEC: -	SIZE: C	FSCM NO: 00779	DRAWING NO: 445729
			SCALE: 2:1	SHEET: 1 OF 1	