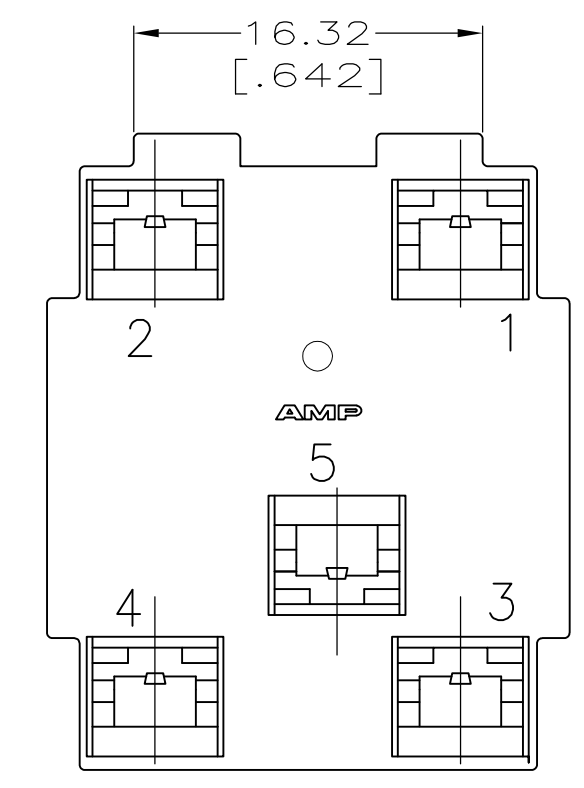
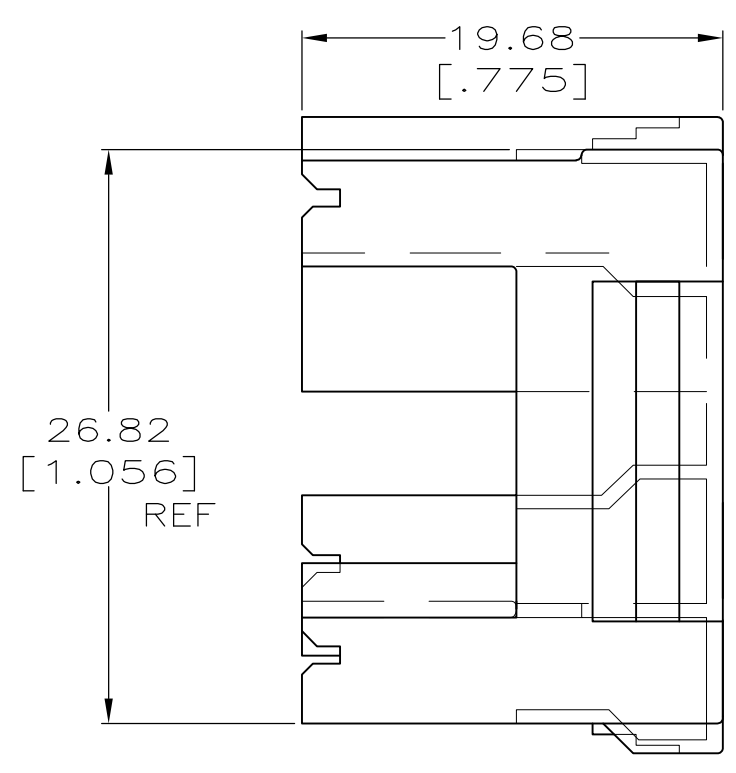
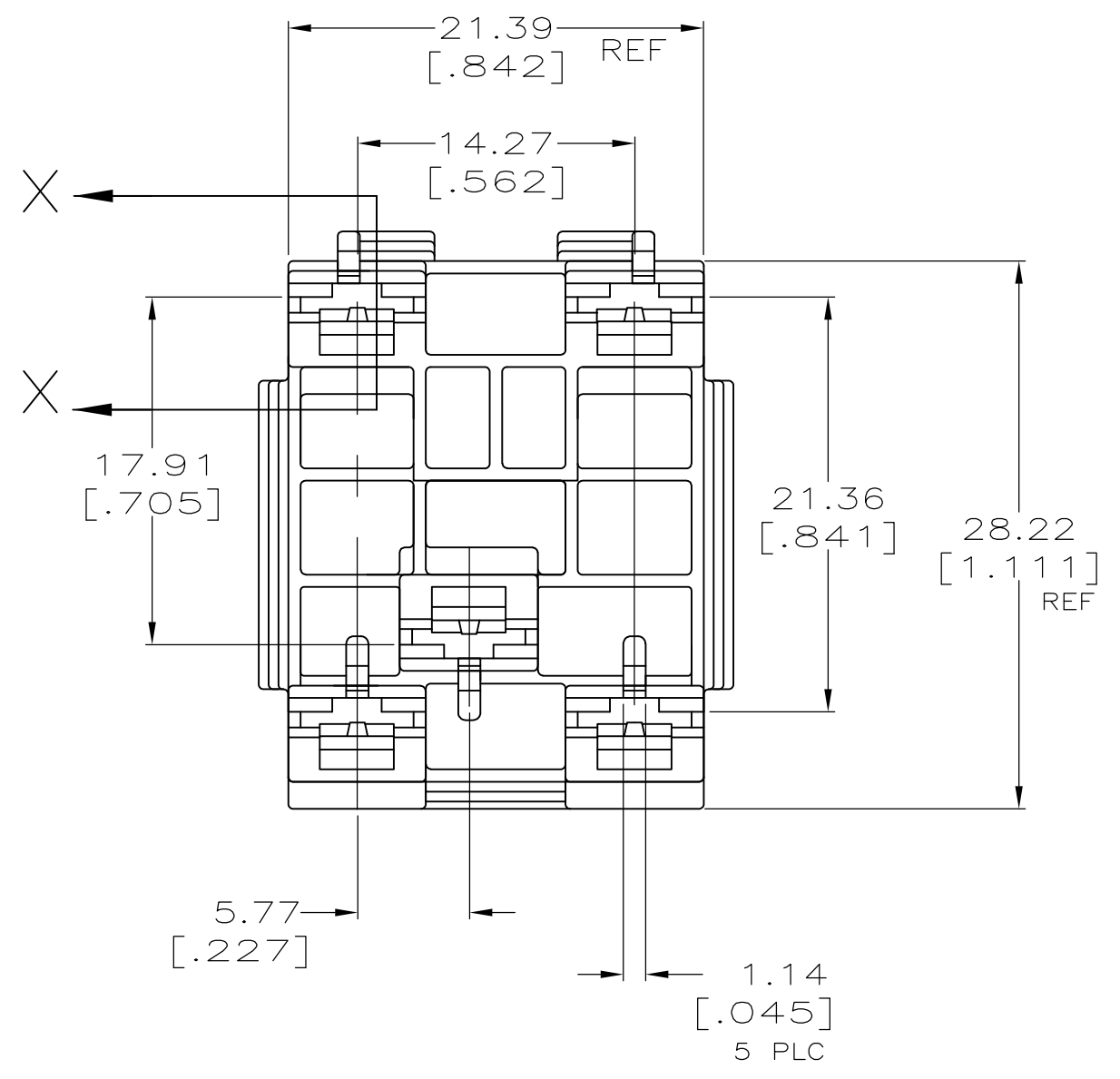
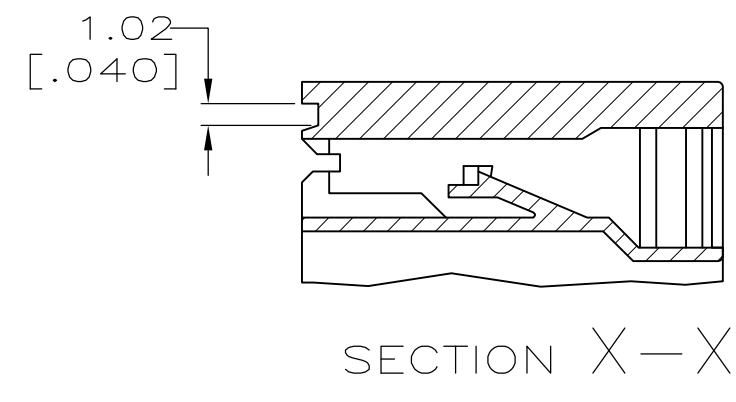


THIS DRAWING IS UNPUBLISHED. RELEASED FOR PUBLICATION
 © COPYRIGHT BY TYCO ELECTRONICS CORPORATION. ALL RIGHTS RESERVED.

LOC	DIST	REVISIONS			
P	LTR	DESCRIPTION	DATE	DWN	APVD
AF	50	D3	REVISED PER ECR-08-010239	25APR08	JR PD

1 PRELIMINARY - NOT FOR PRODUCTION



MATERIAL	PART NO.
66/6 NYLON, V0	521001-3
6/66 NYLON, V0	1 521001-2
6/6 NYLON, V2	521001-1

THIS DRAWING IS A CONTROLLED DOCUMENT.		DWN JR RUTH 1/28/92	Tyco Electronics Corporation Harrisburg, PA 17105-3608	
DIMENSIONS: mm [INCHES]		CHK MS FEHER 1/28/92	NAME R BEAVER	
TOLERANCES UNLESS OTHERWISE SPECIFIED:		APVD 1/28/92	PRODUCT SPEC	
0 PLC ± -		APPLICATION SPEC		
1 PLC ± -		WEIGHT		
2 PLC ± 0.25 [.010]		A2 00779 C-521001		
3 PLC ± -		SCALE 3:1 SHEET 1 OF 1 REV D3		
4 PLC ± -		CUSTOMER DRAWING		
ANGLES ± ± -		RESTRICTED TO		
FINISH		-		
COLOR-NATURAL		-		