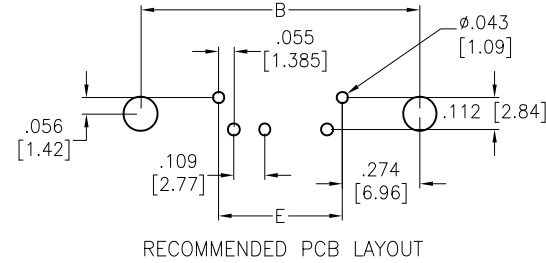
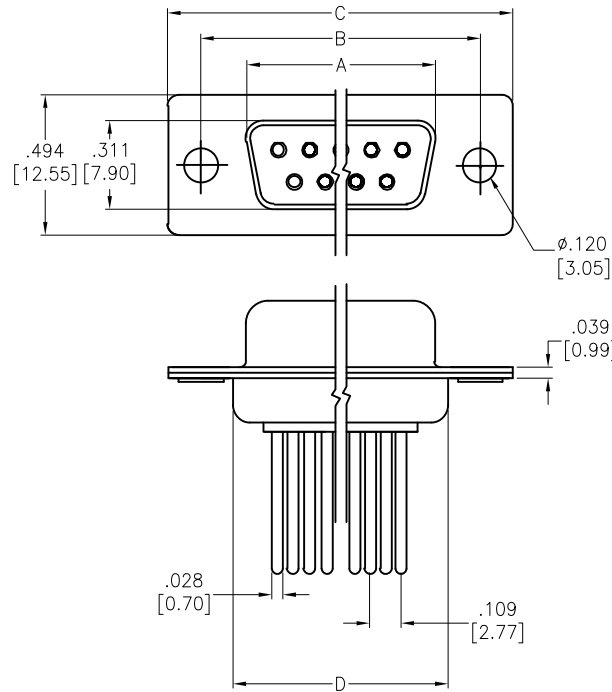


APPROVED: _____
 DATE: _____ TITLE: _____

Rev	AWO #	Description	Date	Appr
-		RELEASED	4/15/05	
A		UPDATED DRAWING	11/13/14	AY/LL
B		UPDATED DIM.	2/21/18	AY/YC



DXXX	NO. OF CONTACTS	DIMENSIONS				
		A	B	C	D	E
DE09	9	.643 [16.33]	.984 [24.99]	1.213 [30.81]	.759 [19.28]	.436 [11.08]
DA15	15	.971 [24.66]	1.312 [33.32]	1.541 [39.14]	1.083 [27.51]	.763 [19.39]
DB25	25	1.511 [38.38]	1.852 [47.04]	2.088 [53.04]	1.625 [41.28]	1.309 [33.24]
DC37	37	2.159 [54.84]	2.500 [63.50]	2.729 [69.32]	2.272 [57.71]	1.963 [49.86]

SPECIFICATIONS:

Material:
 Insulator: Thermoplastic, glass reinforced, rated UL 94V-0
 Insulator color: Black
 Contacts: Brass
 Shell: Steel, Nickel plated
 Plating:
 Gold flash over Nickel underplate on contact area,
 Electrical:
 Contact resistance: 10 mohms max
 Insulation resistance: 5,000 Mohms min
 Dielectric withstanding voltage: 1,000 VAC for 1 minute
 Temperature Rating:
 Operating temperature: -55°C to +125°C
 Environmental:
 Lead free, RoHS compliant



UNLESS OTHERWISE SPECIFIED
 ALL DIMENSIONS ARE INCHES [MM]
 TOLERANCES: EXCEPT AS NOTED

INCHES		HOLES	
.X	± .10	∅X	± .10
.XX	± .020	∅XX	± .015
.XXX	± .015	∅XXX	± .010

APPROVALS		DATE
DRAWN	SS	4/15/05
CHECKED		
APPROVED		

ADAM TECH INTERCONNECTS
 909 Rahway Avenue,
 Union, NJ 07083
 Phone: 908-687-5000
 Fax: 908-687-5710

TITLE: **D-SUB SOCKET, STANDARD PROFILE
 WIRE WRAP TAIL**

SIZE	PART NO.	REV.
X	DXXX-ST-2	B
REF: S00019T	SCALE: NTS	SHEET 1 OF 1