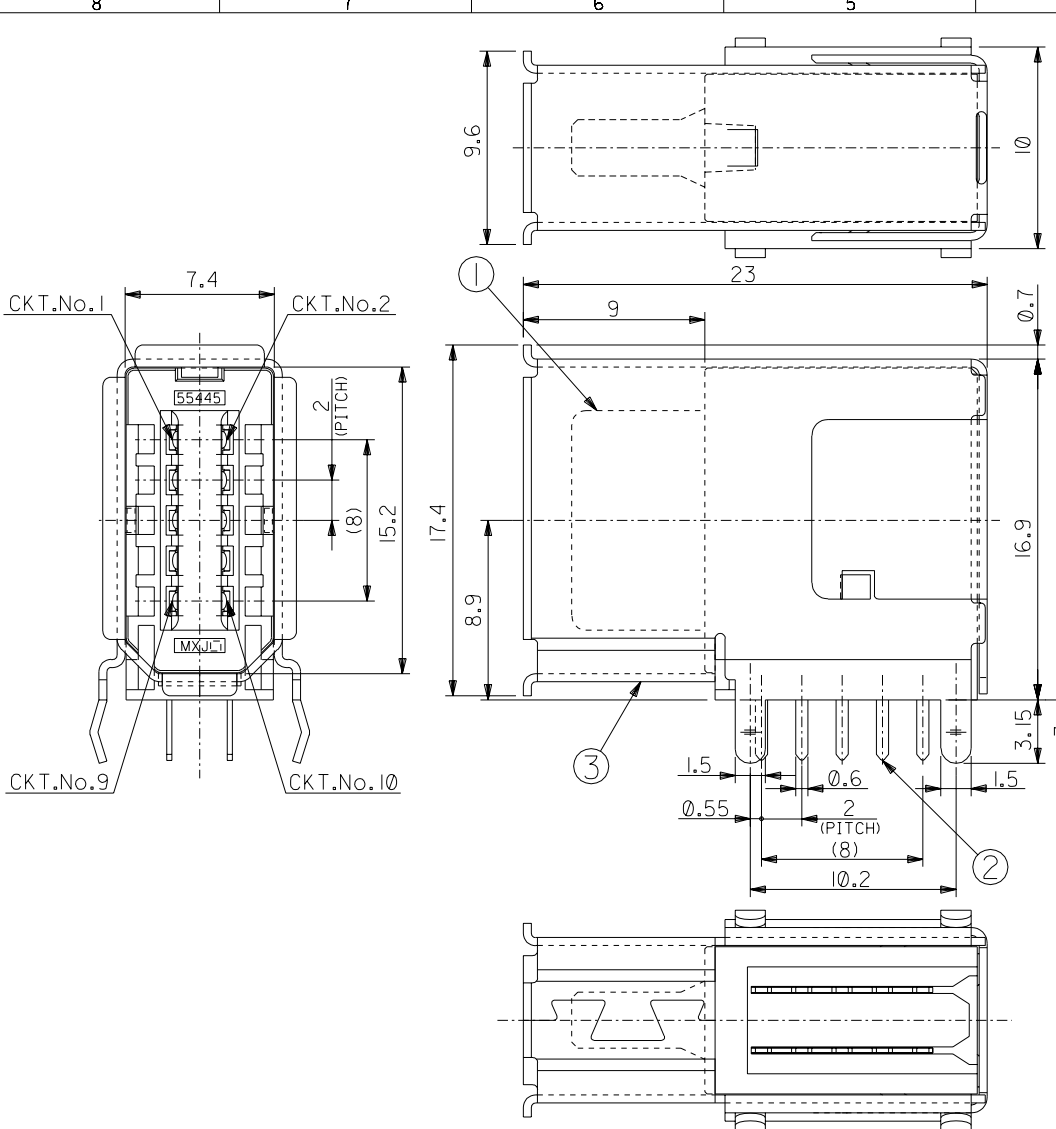
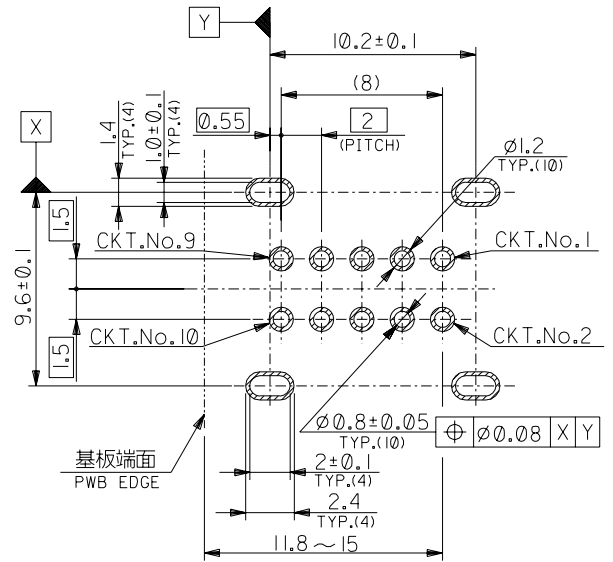


DWG. NO.
SD-55445-004



部番 No.	部品名 PARTS NAME	材質 MATERIAL	記事 ARTICLE
①	ハウジング HOUSING	ガラス入り耐熱樹脂 G.F. HEAT RESISTANT PLASTIC	UL94V-0, 色:黒 UL94V-0, COLOR:BLACK
②	ピン PIN	りん青銅 t0.25 PHOSPHOR BRONZE t0.25	接点部:金メッキ0.3μmMIN. CONTACT AREA:GOLD 0.3μmMIN. 半田付け部:錫メッキ1.0μmMIN. SOLDERTAIL AREA:TIN 1.0μmMIN. 下地メッキ:ニッケルメッキ2μmMIN. UNDER-PLATING:NICKEL 2μmMIN.
③	シェル SHELL	鋼 t0.4 STEEL t0.4	錫メッキ:1.0μmMIN. TIN:1.0μmMIN. 下地メッキ:ニッケルメッキ1.27μmMIN. UNDER-PLATING:NICKEL 1.27μmMIN.



推奨基板寸法 (基板厚 t=1.6±0.2)
(COMPONENT SIDE)
RECOMMENDED PCB PATTERN LAYOUT
(PCB THICKNESS t=1.6±0.2)

注記:
NOTES:

1. 本製品は 55445-1011 の鉛フリー品である。
THIS PRODUCT IS LEAD FREE OF 55445-1011.

55445-1019	55445-***19
MATERIAL.NO	MODEL.NO
DIMENSIONS: <input type="checkbox"/> mm <input type="checkbox"/> INCH	SHT REV REVISE ON CAD ONLY

DO NOT SCALE DRAWING

EC NO. DRWN: CHK: APPR:	EC NO. DRWN: CHK: APPR:	EC NO. DRWN: CHK: APPR:	EC NO. DRWN: CHK: APPR:	EC NO. DRWN: CHK: APPR:	RELEASED:04/04/14 EC NO. J2004-3801 DRWN: M.NABEI CHK: K.TOJO APPR: M.SASAO	DESCRIPTION	MATERIAL 材料 表参照 SEE TABLE	FINISH 仕上げ —	WIRE RANGE 適用電線範囲 —	INS. RANGE 被覆外径 —
0	0	0	0	0	0	REV				

GENERAL TOLERANCES: (UNLESS SPECIFIED) 一般公差	SCALE 4-1	DESIGN UNITS <input checked="" type="checkbox"/> mm <input type="checkbox"/> INCH	THIRD ANGLE PROJECTION	TITLE: 2.0 I/O SOCKET UPRIGHT DIP HS'G ASS'Y -LEAD FREE-
10 UNDER 未満 ±0.2	DRAWN BY & DATE M.NABEI 04/04/14	CHECKED BY & DATE K.TOJO 04/04/14	APPROVED BY & DATE M.SASAO 04/04/14	CAD FILENAME SD-55445-004.S01
10 OVER 30 UNDER 未満 ±0.25	MATERIAL NO. SEE CHART		DRAWING NO. SD-55445-004	SHEET NO. 1 OF 1
30 OVER 以上 ±0.3	ANGLE 角度 ±3°		THIS DRAWING CONTAINS INFORMATION THAT IS PROPRIETARY TO MOLEX INCORPORATED AND SHOULD NOT BE USED WITHOUT WRITTEN PERMISSION.	

SD-55445-004_504