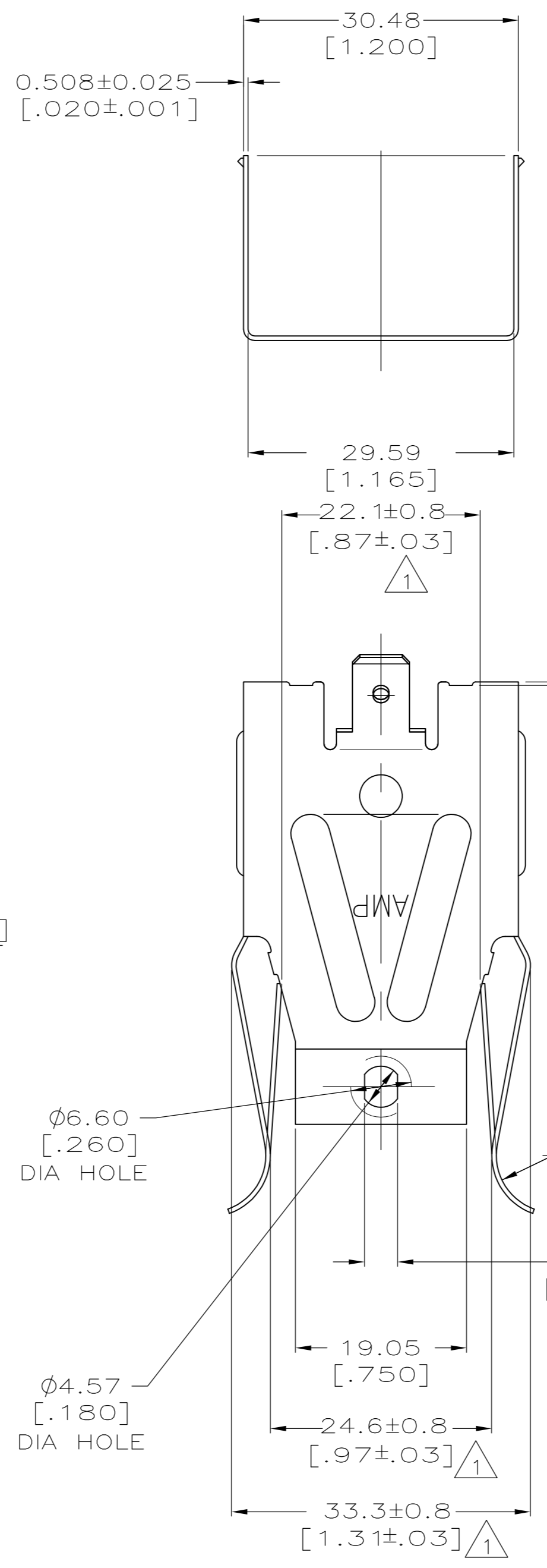
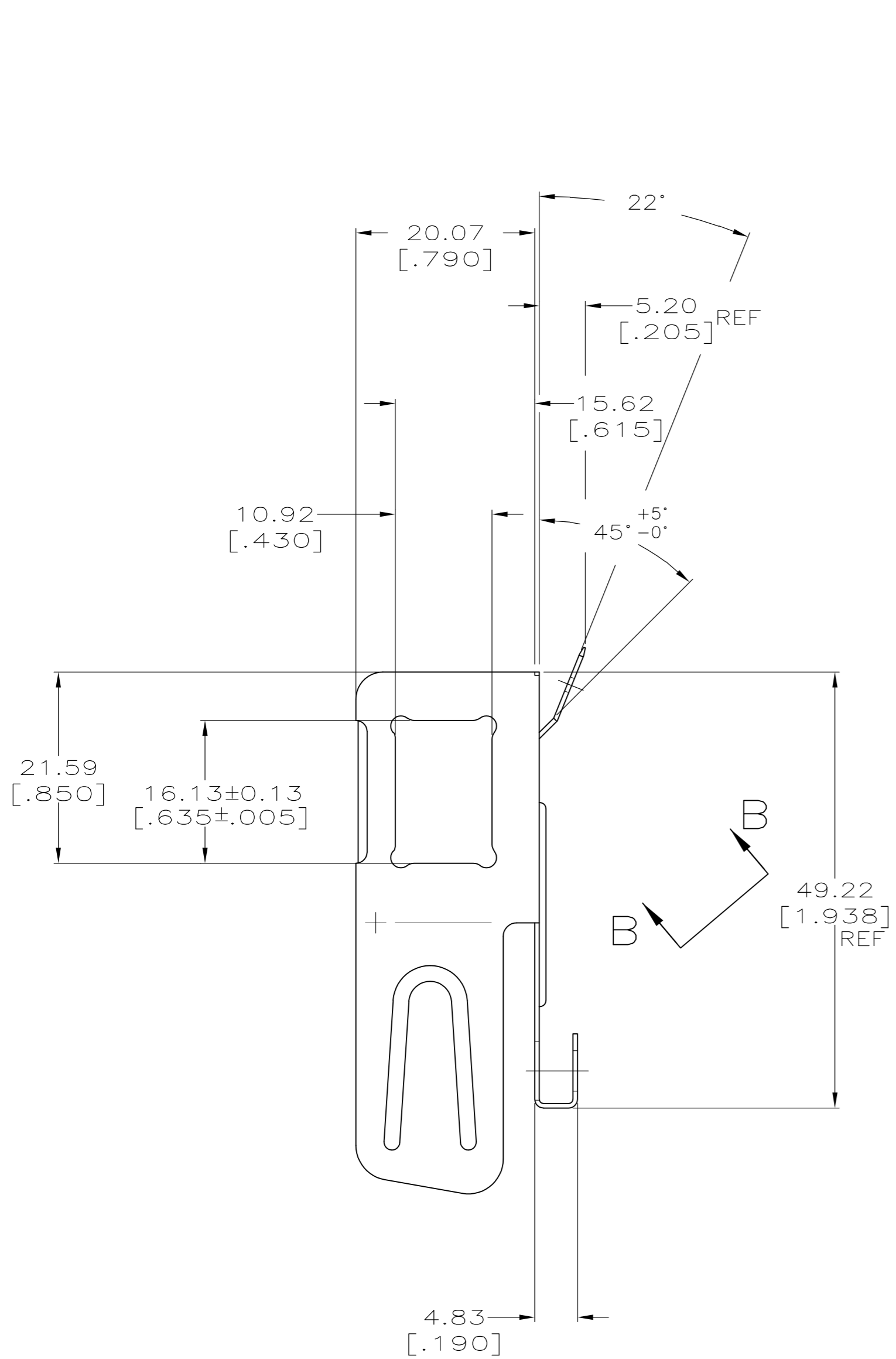
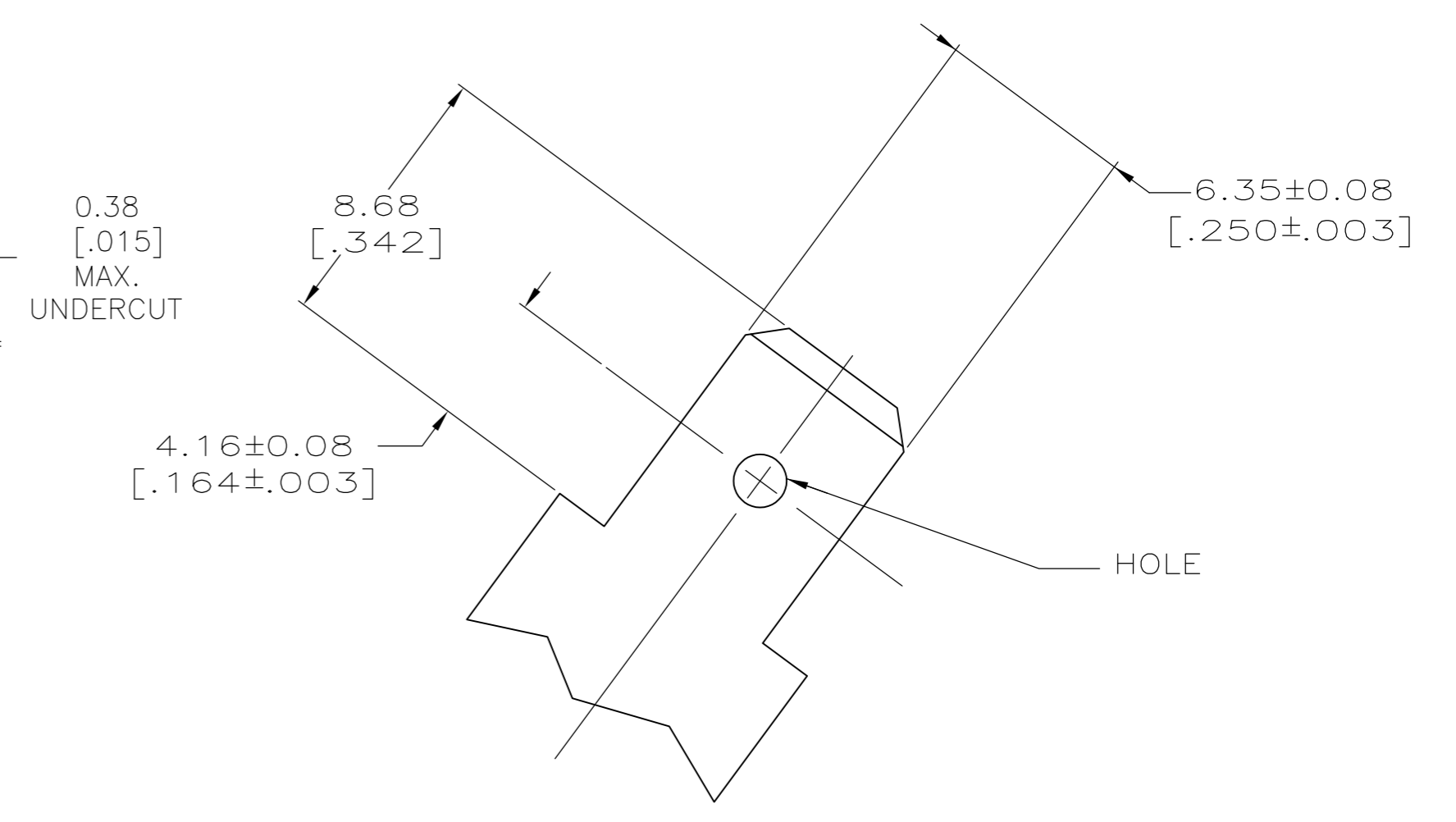


THIS DRAWING IS UNPUBLISHED. RELEASED FOR PUBLICATION
 © COPYRIGHT BY TYCO ELECTRONICS CORPORATION. ALL RIGHTS RESERVED.

LOC	DIST	REVISIONS				
P	LTR	DESCRIPTION	DATE	DWN	APVD	
AF	50	B2	REVISED PER ECR-08-012911	22MAY08	HMR	GJ
		B3	REVISED PER ECR-15-017388	08DEC15	JJ	TD



- 1 DIMENSIONS TO BE CHECKED WHEN SIDES ARE PARALLEL WITH 30.61 [1.205] DIMENSION.
- 2 FOR 6.35 [.250] SERIES POSITIVE LOCK RECEPTACLE.
- 3 REDUCED PACKAGE QUANTITY.
- 4 PRELIMINARY - NOT FOR PRODUCTION.
- 5 SUPERSEDED BY 1217836-1.



VIEW B-B
SCALE 5:1

3	4	1217108-2
5	OBSOLETE	1217108-1
PART NUMBER		

THIS DRAWING IS A CONTROLLED DOCUMENT.		DWN PHILLIP M. FORTNEY 17SEP98	Tyco Electronics Corporation Harrisburg, PA 17105-3608	
DIMENSIONS: mm [INCHES]		CHK JEFF R. RUTH 17SEP98	NAME JEREMY DUNCAN	
TOLERANCES UNLESS OTHERWISE SPECIFIED:		APVD JEREMY DUNCAN 17SEP98	PRODUCT SPEC	
0 PLC ± -		APPLICATION SPEC		
1 PLC ± -		114-1028		
2 PLC ± 0.25 [.010]		WEIGHT -		
3 PLC ± -		SIZE A2		
4 PLC ± -		CAGE CODE 00779		
ANGLES ± -		DRAWING NO. C=1217108		
FINISH -		RESTRICTED TO -		
MATERIAL 1/4 HD SST		CUSTOMER DRAWING		
		SCALE 2:1 SHEET 1 OF 1 REV B3		