

CODE	DIM "M" MATING LENGTH	CONTACT TYPE
U	[6.86]	SIGNAL
T	[6.86]	SIGNAL
S	[6.86]	SIGNAL
R	[6.86]	SIGNAL
E	[5.59]	SIGNAL
G	[5.59]	SIGNAL
F	[5.59]	SIGNAL
H	[5.59]	SIGNAL
PA	[N/A]	POWER



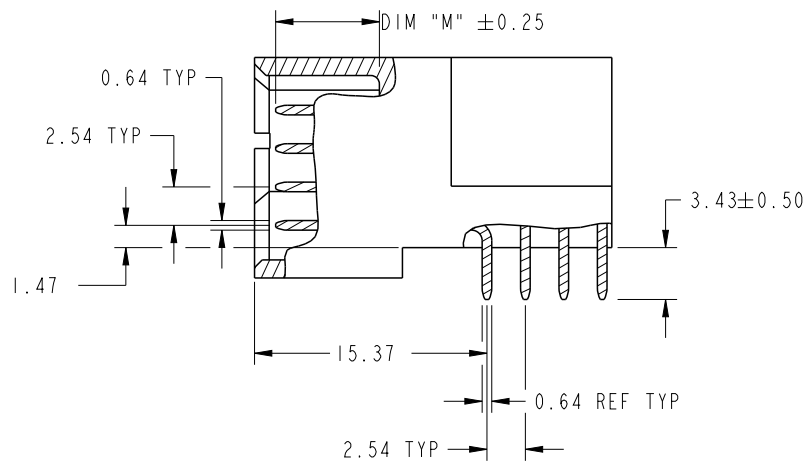
Copyright FCI.

spec ref	*	dr	Jackie Huang	2013/05/19	projection 	MM ←→	size	A4	scale	1:1				
tolerance std	ASME Y14.5	eng	Jackie Huang	2013/05/29			ecn no	-						
TOLERANCES UNLESS OTHERWISE SPECIFIED		chr	-	-			rel level	Released						
surface	✓	appr	Pei-Ming Zheng	2013/05/29	product family	PwrBlade	linear	0.X	±0.5	 title 24S+10DCP RIGHT ANGLE STB HEADER cat. no. - Product - Customer Drw www.fci.com	dwg no	51939-780	rev	A
							angular	0°	±2°		sheet 1 of 4			

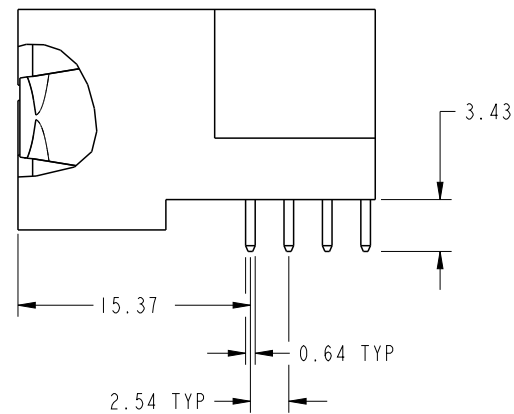
PrdE File - REV C - 2009-06-09

PRODUCT NUMBER

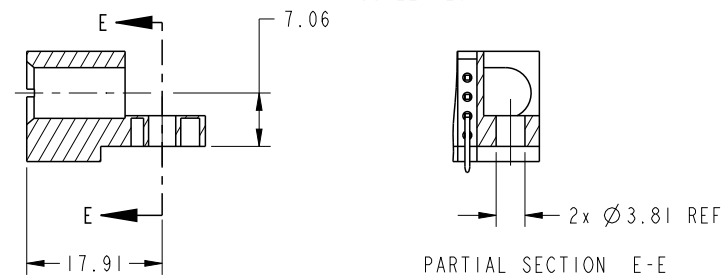
51939-780--  
NOTE: 3



BROKEN-OUT SECTION A-A  
SCALE 2:1



BROKEN-OUT SECTION B-B  
SCALE 2:1



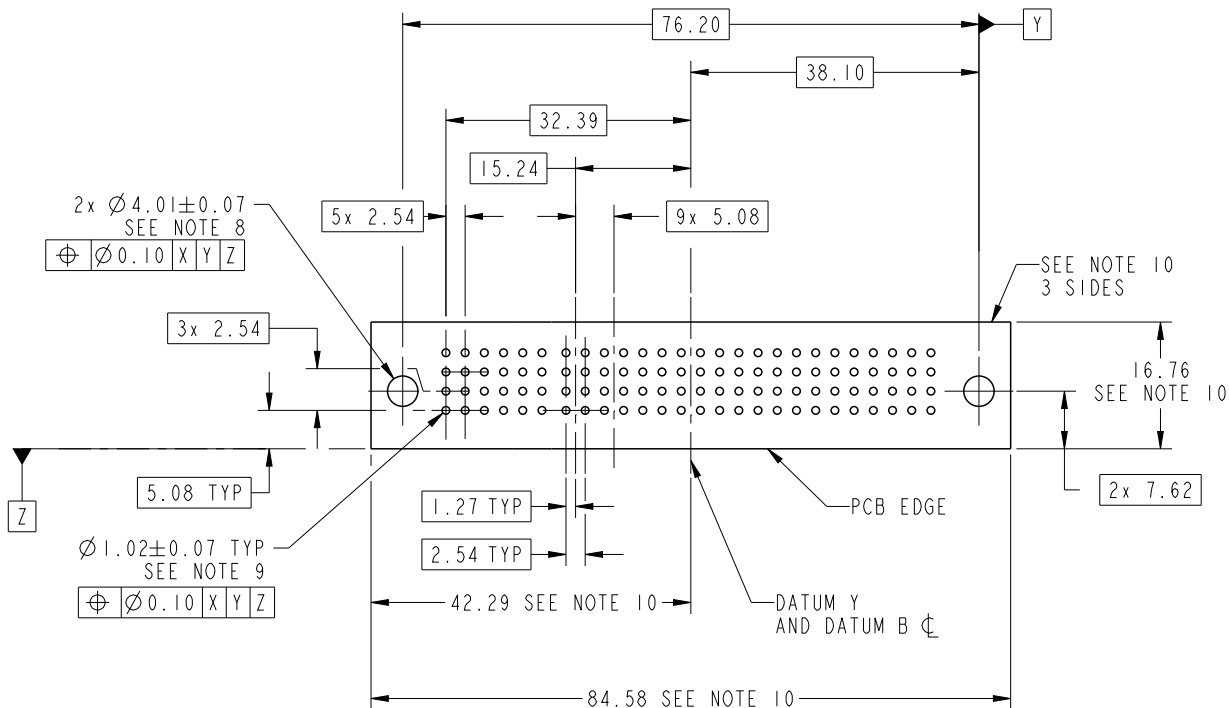
SECTION C-C

PARTIAL SECTION E-E

dr	Jackie Huang	2013/05/19	projection 	MM ←→	size	A4	scale	1:1	
eng	Jackie Huang	2013/05/29			ecn no	-			
chr	-	-			rel level	Released			
appr	Pei-Ming Zheng	2013/05/29	product family	PwrBlade					
		title	24S+10DCP RIGHT ANGLE STB HEADER		dwg no	51939-780		rev	A
www.fci.com		cat. no.	-	Product - Customer Drw			sheet 2 of 4		

PRODUCT NUMBER

51939-780\_\_  
NOTE: 3



RECOMMENDED PCB LAYOUT

dr	Jackie Huang	2013/05/19	projection 	MM ←→	size	A4	scale	1:1	
eng	Jackie Huang	2013/05/29			ecn no	-			
chr	-	-			rel level	Released			
appr	Pei-Ming Zheng	2013/05/29	product family	PwrBlade					
		title	24S+10DCP RIGHT ANGLE STB HEADER		dwg no	51939-780		rev	A
www.fci.com		cat. no.	-		Product - Customer Drw			sheet 3 of 4	

1

2

3

4

PRODUCT NUMBER

51939-780\_\_  
NOTE: 3

NOTES:

1. DIMENSIONS AND TOLERANCES ARE IN ACCORDANCE WITH ASME Y14.5M, 1994 UNLESS OTHERWISE SPECIFIED.

CONNECTOR NOTES:

- 2. HOUSING MATERIAL: UL 94 V-0 GLASS FILLED HIGH-TEMP THERMOPLASTIC  
POWER CONTACT MATERIAL: COPPER ALLOY  
SIGNAL PIN MATERIAL: COPPER ALLOY
- 3. SEE ITEM 1 & 2 IN PRINT 10064183 FOR PLATING SPEC OF 51939-780 AND 51939-780LF RESPECTIVELY.
- 4. MANUFACTURER'S NAME, DATE CODE AND OPTIONAL P/N TO APPEAR ON THIS SURFACE. THE MARK CAN BE OMITTED IF THERE IS NOT ENOUGH SPACE ON THIS SURFACE.
- 5. PRODUCT SPECIFICATION GS-12-149.  
APPLICATION SPECIFICATION BUS-20-067.
- 6. PACKAGED IN TRAYS.

PCB NOTES:

- 7. ALL HOLE DIAMETERS ARE FINISHED HOLE SIZE.
- 8. MOUNTING HOLES, WHERE APPLICABLE, ARE UNPLATED.
- 9.  $\varnothing 1.151 \pm 0.025$  DRILLED HOLES PLATED WITH  
0.008 MIN SnPb OR Sn OVER 0.03  
TO 0.08 Cu PLATING TO ACHIEVE  
 $\varnothing 1.02 \pm 0.07$  HOLE.
- 10. CONNECTOR KEEP-OUT ZONE.



Copyright FCI.

dr	Jackie Huang	2013/05/19	projection 	MM 	size	A4	scale	1:1			
eng	Jackie Huang	2013/05/29			ecn no	-					
chr	-	-			product family	PwrBlade	rel level	Released			
appr	Pei-Ming Zheng	2013/05/29			title	24S+10DCP		dwg no	51939-780	rev	A
www.fci.com		cat. no.	-	Product - Customer Drw			sheet 4 of 4				

2

3