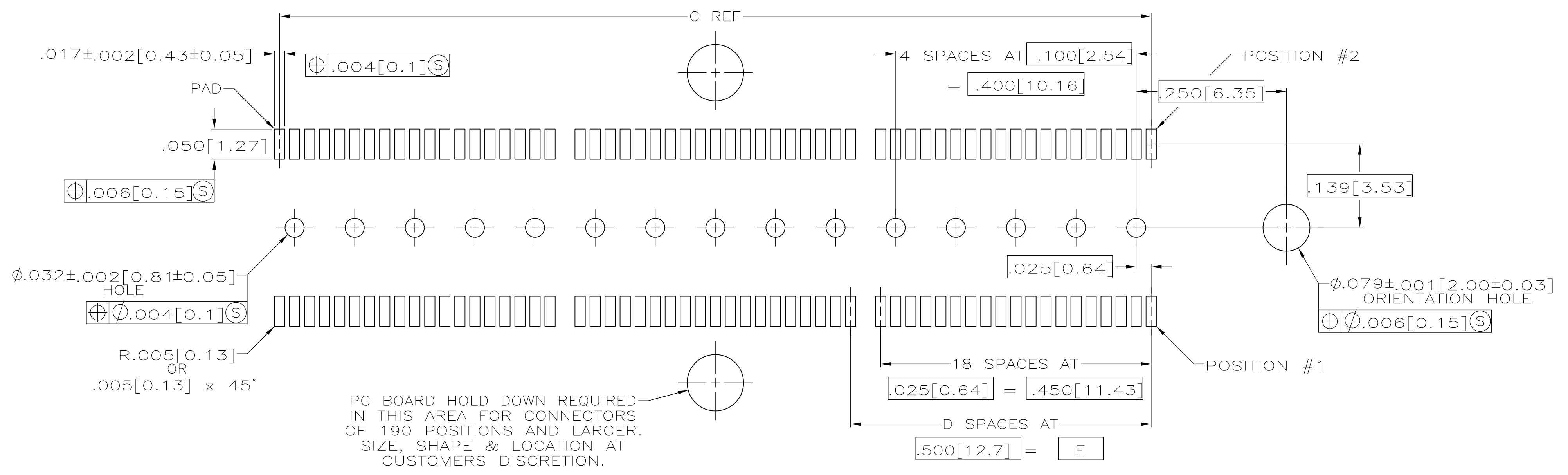
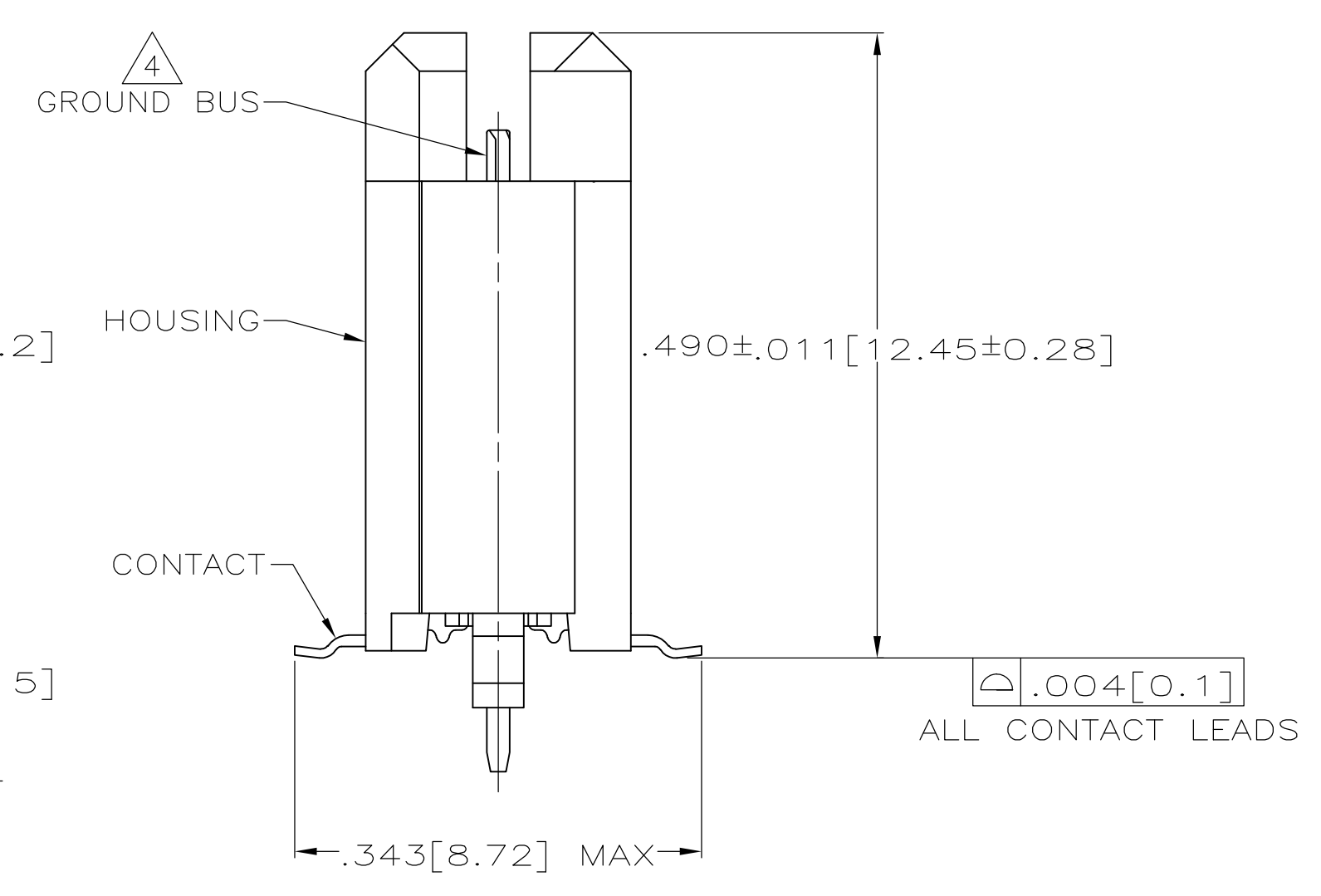
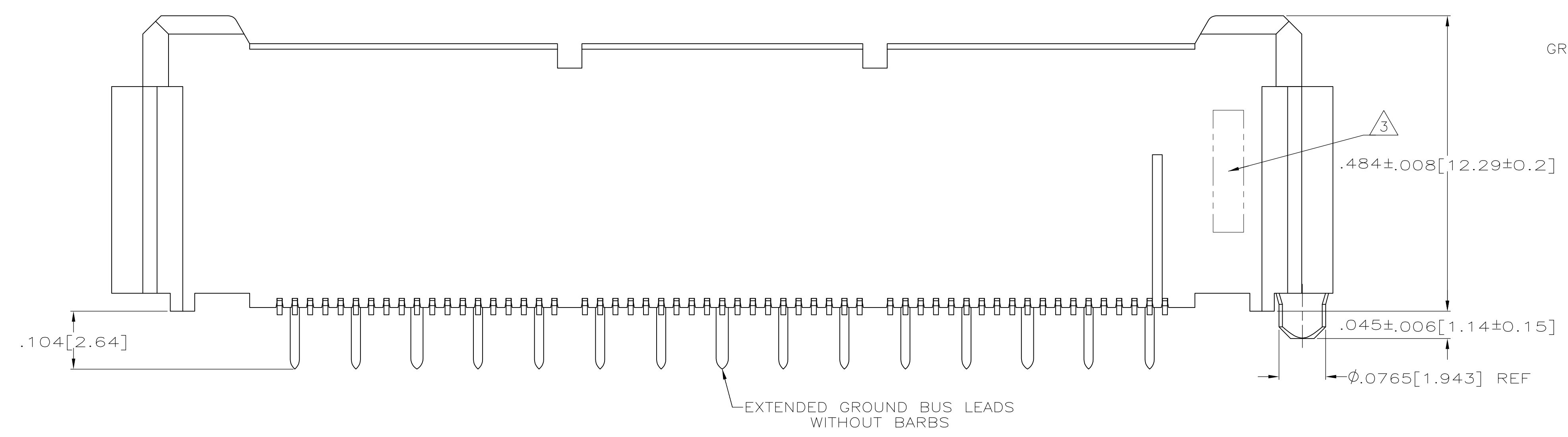


- $\triangle 1$  HOUSING: LIQUID CRYSTAL POLYMER, COLOR BLACK. CONTACTS: HIGH RELIABILITY COPPER ALLOY. GROUND BUSES: BRASS, UNS C26000
- $\triangle 2$  CONTACTS & GROUND BUSES: NICKEL UNDERPLATE ALL OVER, MATING SURFACE PLATED TO MEET LEVEL 2 PERFORMANCE REQUIREMENTS OF TE PRODUCT SPECIFICATION 108-1422, SOLDER TAILS PLATED TIN-LEAD.
- $\triangle 3$  DATE CODE MARKED IN AREA INDICATED ON OPPOSITE SIDE OF POSITION #1.
- $\triangle 4$  ONE GROUND BUS WITH 5 TAILS PER EACH MODULE.
- $\triangle 5$  TOLERANCE NON-ACCUMULATIVE.



3.000 [76.2]	6	3.450 [87.63]	3.898 [99]	4.000 [101.6]	266	767082-7
2.500 [63.5]	5	2.950 [74.93]	3.398 [86.31]	3.500 [88.9]	228	767082-6
2.000 [50.8]	4	2.450 [62.23]	2.898 [73.61]	3.000 [76.2]	190	767082-5
1.500 [38.1]	3	1.950 [49.53]	2.398 [60.91]	2.500 [63.5]	152	767082-4
1.000 [25.4]	2	1.450 [36.83]	1.898 [48.21]	2.000 [50.8]	114	767082-3
.500 [12.7]	1	.950 [24.13]	1.398 [35.51]	1.500 [38.1]	76	767082-2
.000 [0]	0	.450 [11.43]	.898 [22.81]	1.000 [25.4]	38	767082-1
E	D	C	B	A	NO OF POS	PART NUMBER

RECOMMENDED PC BOARD LAYOUT (VIEWED FROM CONNECTOR SIDE)

THIS DRAWING IS A CONTROLLED DOCUMENT.

DIMENSIONS: INCHES	TOLERANCES UNLESS OTHERWISE SPECIFIED:	DIN J. GERACE 4-7-98	APVD S. STRICKLER 4-7-98	NAME
$\phi$	0. PLC ± -			PLUG ASSEMBLY, .495 [12.57] VERTICAL, .025 [0.64] CENTER LINE, MICTOR
$\phi$	1. PLC ± -			108-1422
$\phi$	2. PLC ± -			APPLICATION SPEC
$\phi$	3. PLC ± .005 (0.13)			114-11004
$\phi$	4. PLC ± -			SIZE: A1 00779 C=767082
$\phi$	ANGLES ± -			WEIGHT: -
MATERIAL	FINISH			CUSTOMER DRAWING

STE TE Connectivity  
 SCALE: 8:1 SHEET 1 OF 1 REV E1