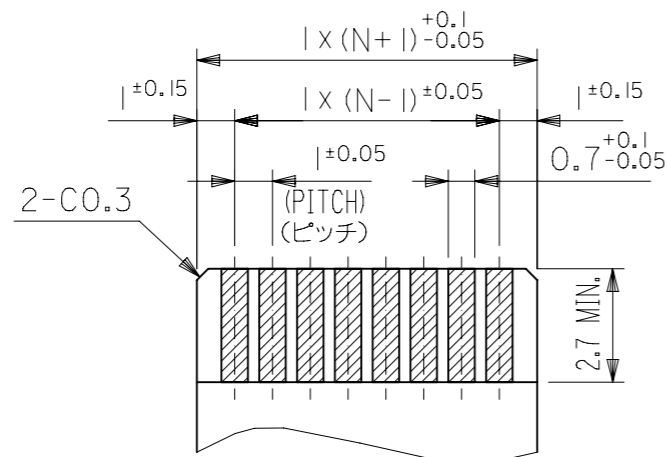
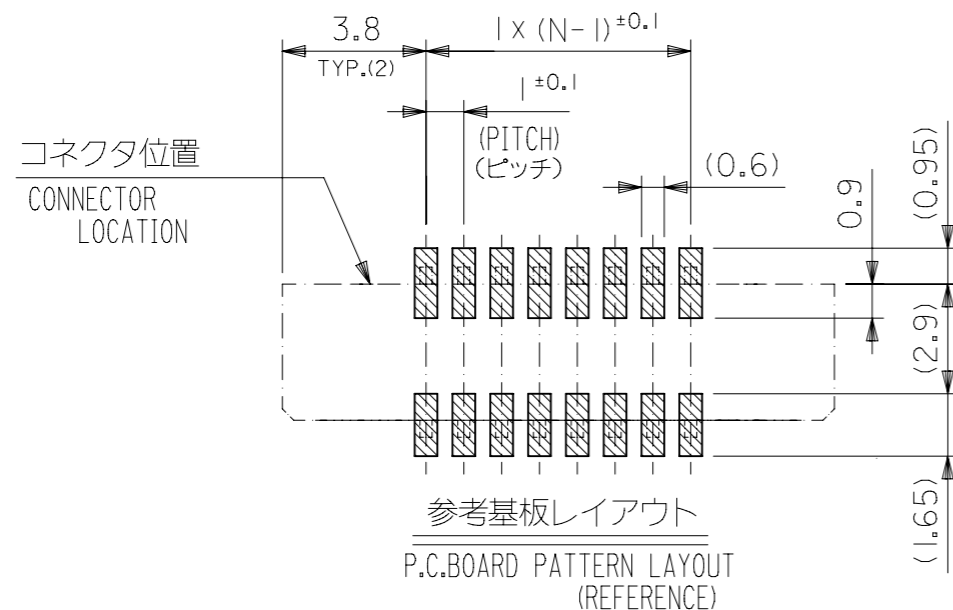


THIS DRAWING CONTAINS INFORMATION THAT IS PROPRIETARY TO MOLEX ELECTRONIC TECHNOLOGIES, LLC AND SHOULD NOT BE USED WITHOUT WRITTEN PERMISSION		CURRENT REV DESC:		molex	
DIMENSION UNITS	SCALE				
mm	NTS			1.0 FPC CONN ZIF FOR SMT (ST) WITH TAPE -LEAD FREE-	
GENERAL TOLERANCES (UNLESS SPECIFIED)		EC NO: 745355		PRODUCT CUSTOMER DRAWING	
ANGULAR TOL ± 3.0°		DRWN: RAJMOK 2023/04/07		DOCUMENT NUMBER	
4 PLACES ±		CHK'D: HSHIMOYAMA 2023/04/07		SD-52610-034	
3 PLACES ±		APPR: HSHIMOYAMA 2023/04/07		DOC TYPE DOC PART REVISION	
2 PLACES ±		INITIAL REVISION:		PSD 001 D	
1 PLACE ±		DRWN: HSHIMABUKURO 2004/03/30		MATERIAL NUMBER	
0 PLACES ±		APPR: MSASAO 2004/04/01		CUSTOMER	
DRAFT WHERE APPLICABLE MUST REMAIN WITHIN DIMENSIONS		THIRD ANGLE PROJECTION	DRAWING	SERIES	SHEET NUMBER
			A3-SIZE	52610	1 OF 2

GENERAL TOLERANCES (UNLESS SPECIFIED)	
10 UNDER	±0.2
10 OVER 30 UNDER	±0.25
30 OVER	±0.3



適合FPC推奨寸法
 APPLICABLE FPC RECOMMENDED DIM.
 仕上がり厚さ(THICKNESS): 0.3 ±0.05



注記(NOTES):

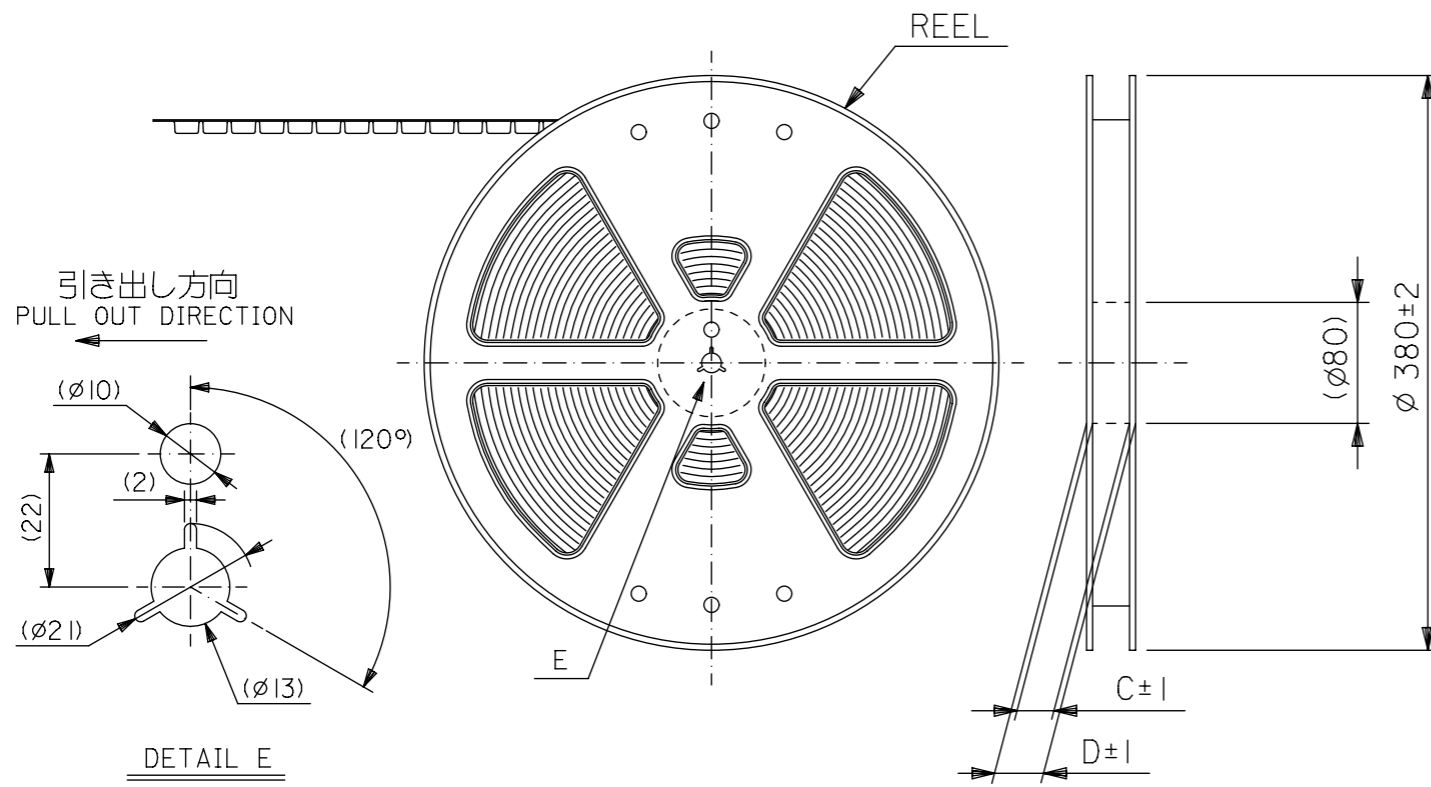
- 材料(MATERIAL)
 ハウジング(HOUSING): 46NYLON, UL94V-0
 アクチュエータ(ACTUATOR): PPS, UL94V-0
 ターミナル(TERMINAL): リン青銅、ニッケル下地、**錫-ビスマスメッキ** (t0.32)
 PHOS-BRO. **TIN-BISMUTH OVER NICKEL PLATED** (A)
- エンボステープ梱包時は、アクチュエータがロックした状態とする。
 IN THE PACKAGE, ACTUATOR OF PART NO. 52610-**59 SHOULD BE LOCKED.
- ⊠ ソルダータール半田付け面のズレ量は、基準面 [F] に対し上方向 0.05 MAX., 下方向 0.15 MAX.とする。
 MISALIGNMENT OF SOLDER TAILS FROM [F] UPPER DIRECTION: 0.05 MAX., LOWER DIRECTION: 0.15 MAX.
- ⊠ 偶数極に適用。
 APPLY FOR EVEN CIRCUIT.
- 本製品は 52610-**57 の鉛フリー品である。
 THIS PRODUCT IS LEAD FREE OF 52610-**57

36.6	34.85	31.2	29	52610-3075	30
34.6	32.85	29.2	27	-2875	28
32.6	30.85	27.2	25	-2675	26
31.6	29.85	26.2	24	-2575	25
30.6	28.85	25.2	23	-2475	24
28.6	26.85	23.2	21	-2275	22
26.6	24.85	21.2	19	-2075	20
25.6	23.85	20.2	18	-1975	19
23.6	21.85	18.2	16	-1775	17
22.6	20.85	17.2	15	-1675	16
20.6	18.85	15.2	13	-1475	14
18.6	16.85	13.2	11	-1275	12
17.6	15.85	12.2	10	-1175	11
16.6	14.85	11.2	9	-1075	10
15.6	13.85	10.2	8	-0975	9
14.6	12.85	9.2	7	-0875	8
13.6	11.85	8.2	6	-0775	7
12.6	10.85	7.2	5	52610-0675	6
D	(C)	B	(A)	MATERIAL. NO.	CKT.

THIS DRAWING CONTAINS INFORMATION THAT IS PROPRIETARY TO MOLEX ELECTRONIC TECHNOLOGIES, LLC AND SHOULD NOT BE USED WITHOUT WRITTEN PERMISSION

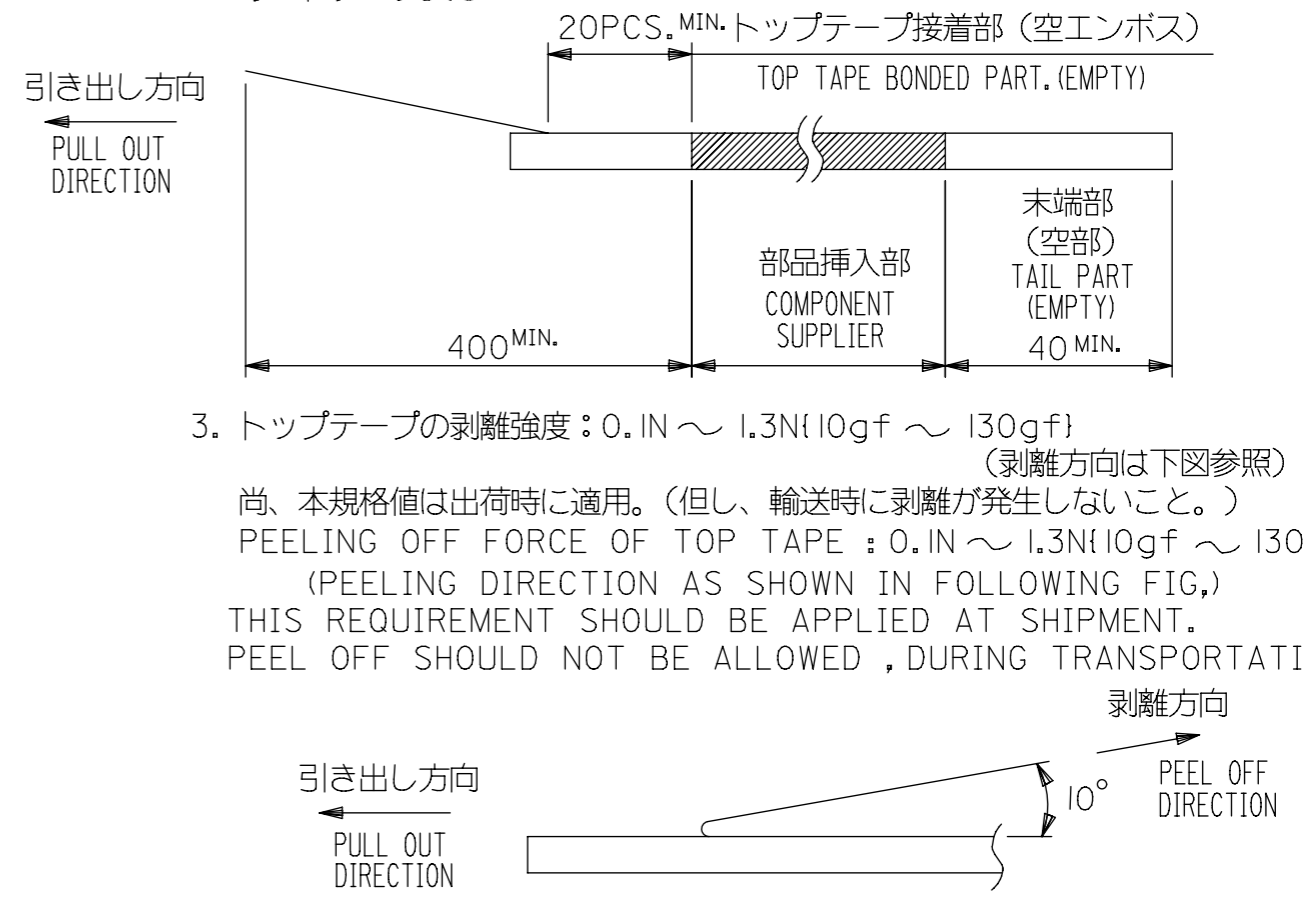
DIMENSION UNITS	SCALE	CURRENT REV DESC:		molex		
mm	NTS					
GENERAL TOLERANCES (UNLESS SPECIFIED)		EC NO: 745355		1.0 FPC CONN ZIF FOR SMT (ST) WITH TAPE -LEAD FREE-		
ANGULAR TOL ± 3.0°		DRWN: RAJMOK 2023/04/07		PRODUCT CUSTOMER DRAWING		
4 PLACES ±		CHK'D: HSHIMOYAMA 2023/04/07		DOCUMENT NUMBER		
3 PLACES ±		APPR: HSHIMOYAMA 2023/04/07		SD-52610-034		
2 PLACES ±		INITIAL REVISION:		DOC TYPE		
1 PLACE ±		DRWN: HSHIMABUKURO 2004/03/30		PSD		
0 PLACES ±		APPR: MSASAO 2004/04/01		DOC PART		
DRAFT WHERE APPLICABLE MUST REMAIN WITHIN DIMENSIONS		THIRD ANGLE PROJECTION		REVISION		
		DRAWING		001		
		SERIES		D		
		MATERIAL NUMBER		SHEET NUMBER		
		CUSTOMER		2 OF 2		
		A3-SIZE				
		52610				
		SEE TABLE				
		GENERAL MARKET				

GENERAL TOLERANCES (UNLESS SPECIFIED)	
10 ^{UNDER}	±0.2
10 ^{OVER} 30 ^{UNDER}	±0.25
30 ^{OVER}	±0.3



NOTES

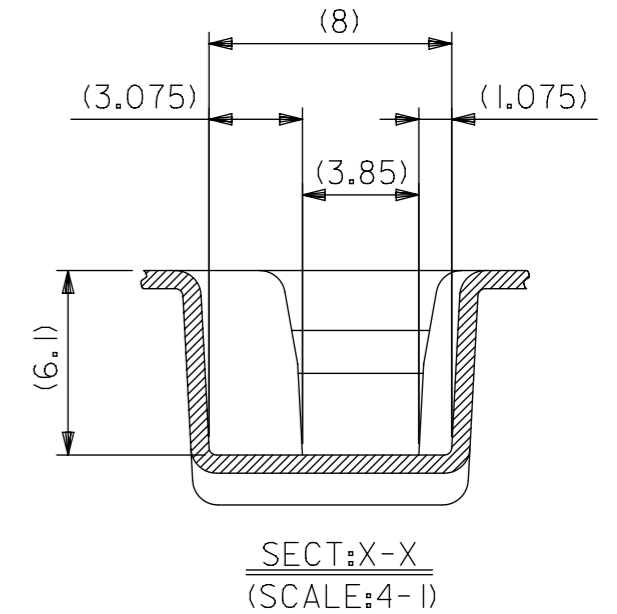
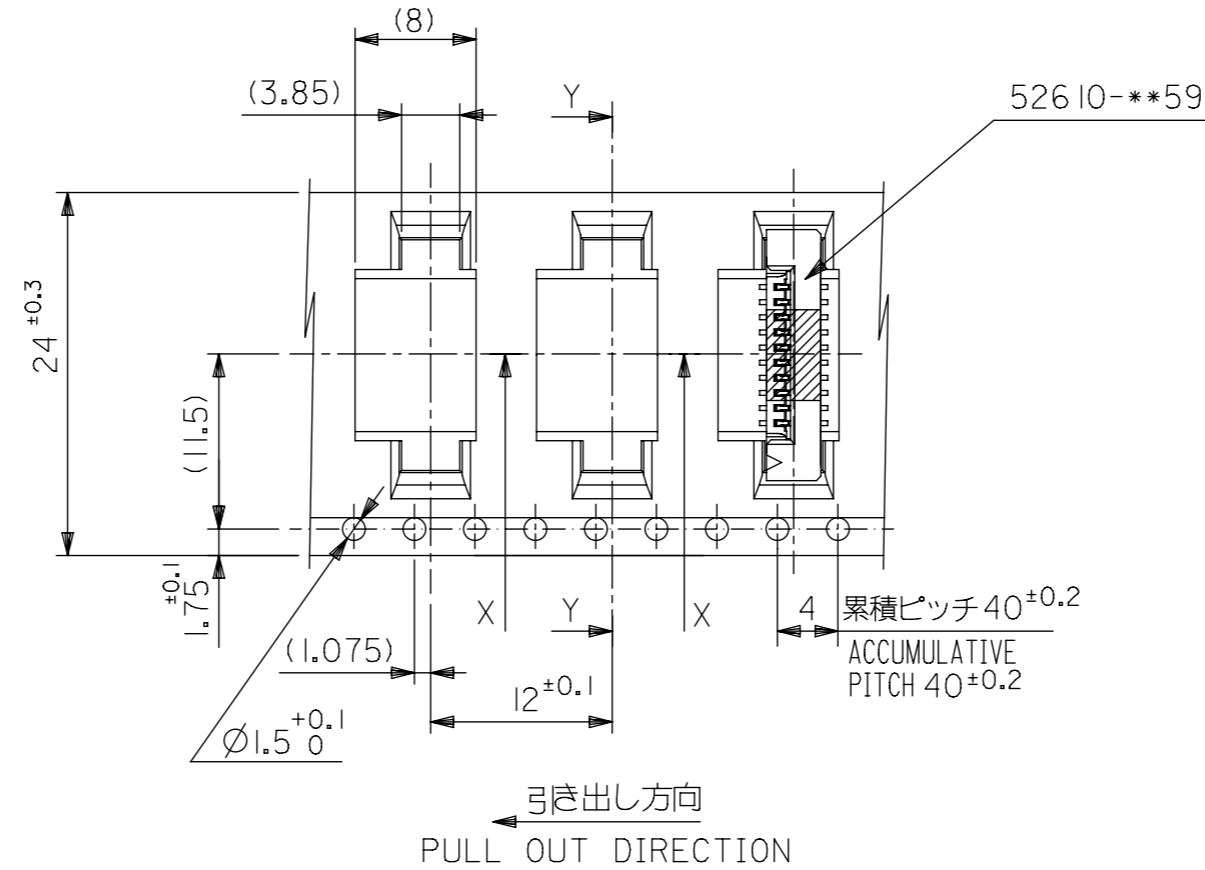
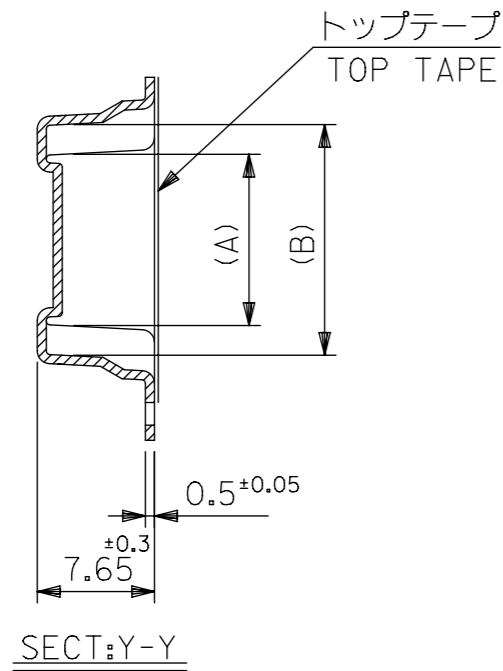
- 梱包数量：1000個/リール
NUMBER OF CONNECTORS : 1000PCS/REEL
- リードテープ長さ LEAD TAPE LENGTH
20PCS. MIN. トップテープ接着部 (空エンボス)
TOP TAPE BONDED PART. (EMPTY)
部品挿入部
COMPONENT SUPPLIER
末端部 (空部)
TAIL PART (EMPTY)
40 MIN.
- トップテープの剥離強度：0.1N ~ 1.3N (10gf ~ 130gf)
(剥離方向は下図参照)
尚、本規格値は出荷時に適用。(但し、輸送時に剥離が発生しないこと。)
PEELING OFF FORCE OF TOP TAPE : 0.1N ~ 1.3N (10gf ~ 130gf)
(PEELING DIRECTION AS SHOWN IN FOLLOWING FIG.)
THIS REQUIREMENT SHOULD BE APPLIED AT SHIPMENT.
PEEL OFF SHOULD NOT BE ALLOWED, DURING TRANSPORTATION.
- 52610-***59のアクチュエータはハウジング内に押し下げた状態とする。
詳細寸法については **製品単体図面を参照下さい。**
ACTUATOR OF PART NO. 52610-***59 SHULD BE LOCKED.
FOR DETAIL OF CONNECTOR DIMENSIONS, PLEASE SEE THE DRAWING OF ITSELF.
- 材料(MATERIAL)
キャリアテープ(CARRIER TAPE)：ポリプロピレン(POLYPROPYLENE)
トップテープ(TOPTAPE)：PET, PE, PEF
リール(REEL)：ポリスチレン (PS) <リサイクル材を含む>
POLYSTYRENE(PS) <RECYCLE MATERIAL CONTAINED>
- 本製品は 52610-***94 の鉛フリー品である。
THIS PRODUCT IS LEAD FREE OF 52610-***94
- 本製品は乾燥剤入り、ハイバリア梱包仕様である。
THIS PRODUCT IS HIGH BARRIER PACKAGE WITH DESICCANT.



52610-***75 MODEL NO.

THIS DRAWING CONTAINS INFORMATION THAT IS PROPRIETARY TO MOLEX ELECTRONIC TECHNOLOGIES, LLC AND SHOULD NOT BE USED WITHOUT WRITTEN PERMISSION		CURRENT REV DESC:		molex	
DIMENSION UNITS	SCALE				
mm	NTS			1.0 FPC CONN SMT ZIF WITH TAPE EMBSTP PKG -LEAD FREE-	
GENERAL TOLERANCES (UNLESS SPECIFIED)		EC NO: 719890		PRODUCT CUSTOMER DRAWING	
ANGULAR TOL ± °		DRWN: NARENC 2022/08/26		DOCUMENT NUMBER	
4 PLACES ±		CHK'D: SMARUYAMA 2022/09/05		DOC TYPE	
3 PLACES ±		APPR: YNAITO 2022/09/05		DOC PART	
2 PLACES ±		INITIAL REVISION:		REVISION	
1 PLACE ±		DRWN: HSHIMABUKURO 2004/03/30		SD-52610-035	
0 PLACES ±		APPR: MSASAO 2004/04/01		PSD 001 C	
DRAFT WHERE APPLICABLE MUST REMAIN WITHIN DIMENSIONS		THIRD ANGLE PROJECTION	DRAWING	SERIES	MATERIAL NUMBER
			A3-SIZE	52610	SEE TABLE
					CUSTOMER
					GENERAL MARKET
					SHEET NUMBER
					1 OF 5

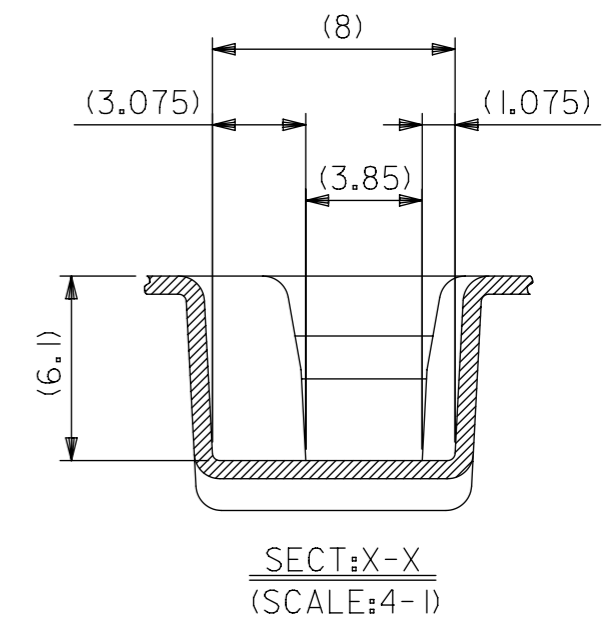
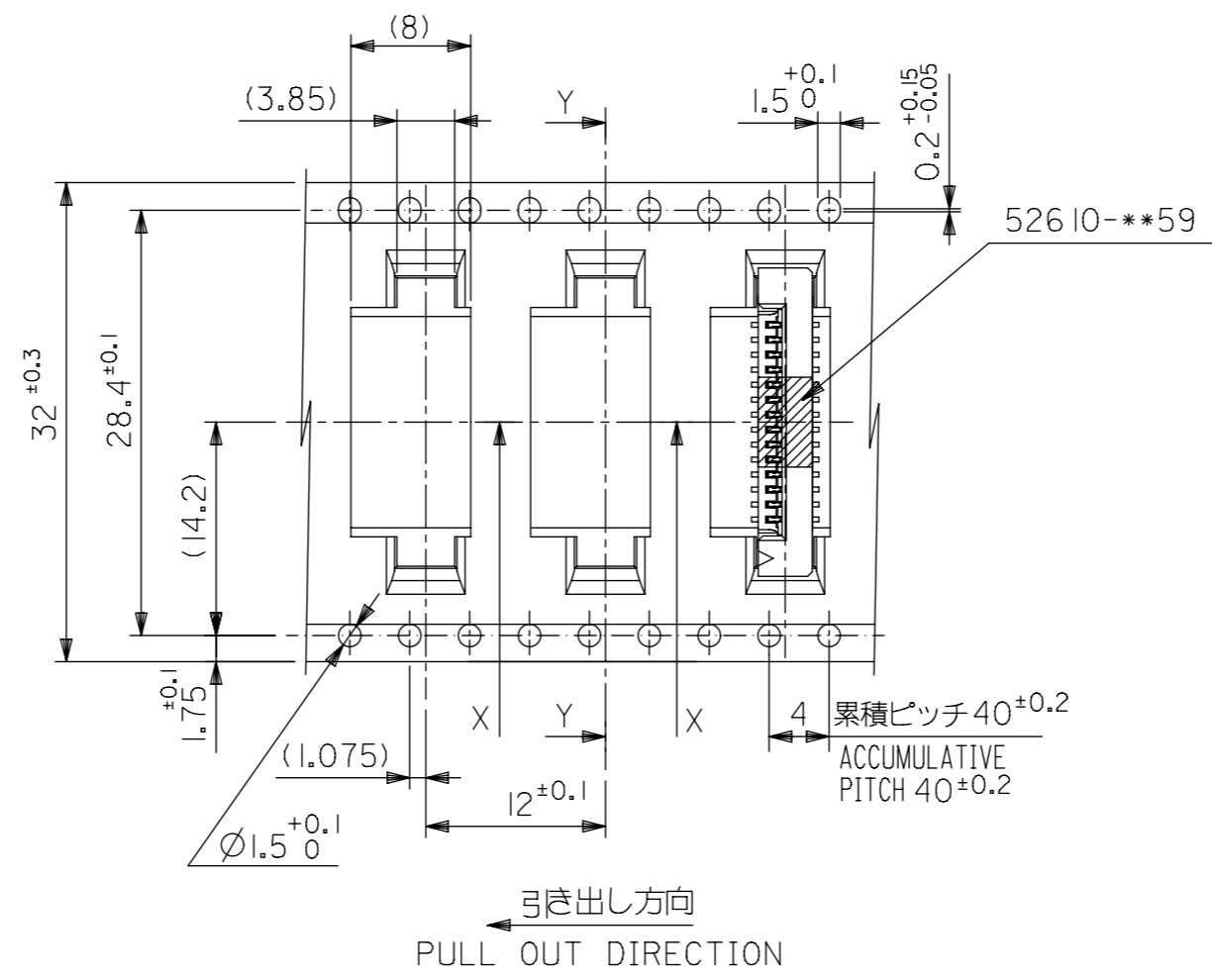
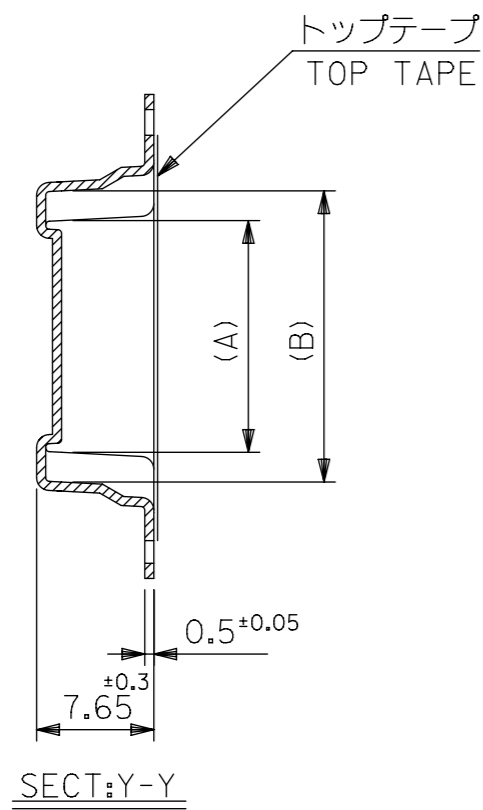
GENERAL TOLERANCES (UNLESS SPECIFIED)	
10 ^{UNDER}	±0.2
10 ^{OVER} 30 ^{UNDER}	±0.25
30 ^{OVER}	±0.3
ANGULAR	±3°



24	29.4	25.4	15.25	11.32	526 10-1075	10	
			14.25	10.32	526 10-0975	9	
			13.25	9.32	526 10-0875	8	
			12.25	8.32	526 10-0775	7	
			11.25	7.32	526 10-0675	6	
526 10-***75	キャリアテープ幅 CARRIER TAPE WIDTH	D	C	(B)	(A)	MATERIAL. NO.	極数 CKT.

THIS DRAWING CONTAINS INFORMATION THAT IS PROPRIETARY TO MOLEX ELECTRONIC TECHNOLOGIES, LLC AND SHOULD NOT BE USED WITHOUT WRITTEN PERMISSION		CURRENT REV DESC:		molex			
DIMENSION UNITS	SCALE	EC NO: 719890					
mm	NTS	DRWN: NARENC		PRODUCT CUSTOMER DRAWING			
GENERAL TOLERANCES (UNLESS SPECIFIED)		CHK'D: SMARUYAMA		DOCUMENT NUMBER			
ANGULAR TOL ± °		APPR: YNAITO		SD-52610-035		DOC TYPE DOC PART REVISION	
4 PLACES ±		INITIAL REVISION:		2004/03/30		PSD 001 C	
3 PLACES ±		DRWN: HSHIMABUKURO		2004/04/01		MATERIAL NUMBER CUSTOMER	
2 PLACES ±		APPR: MSASAO		52610		SEE TABLE GENERAL MARKET	
1 PLACE ±		DRAFT WHERE APPLICABLE MUST REMAIN WITHIN DIMENSIONS		A3-SIZE		SHEET NUMBER	
0 PLACES ±		THIRD ANGLE PROJECTION		SERIES		2 OF 5	

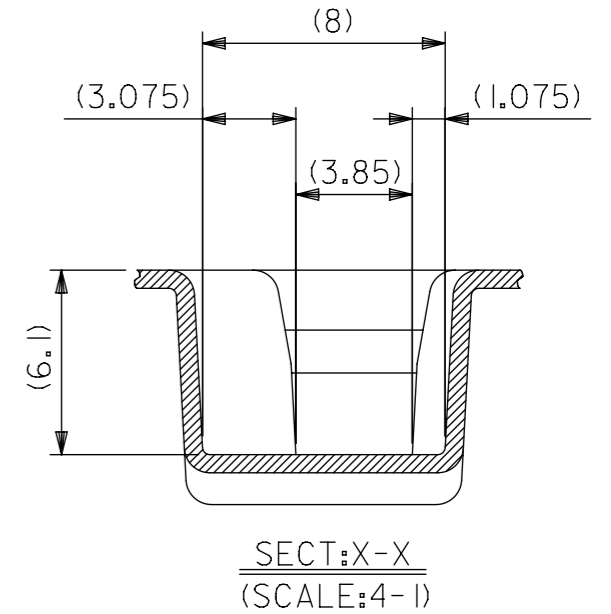
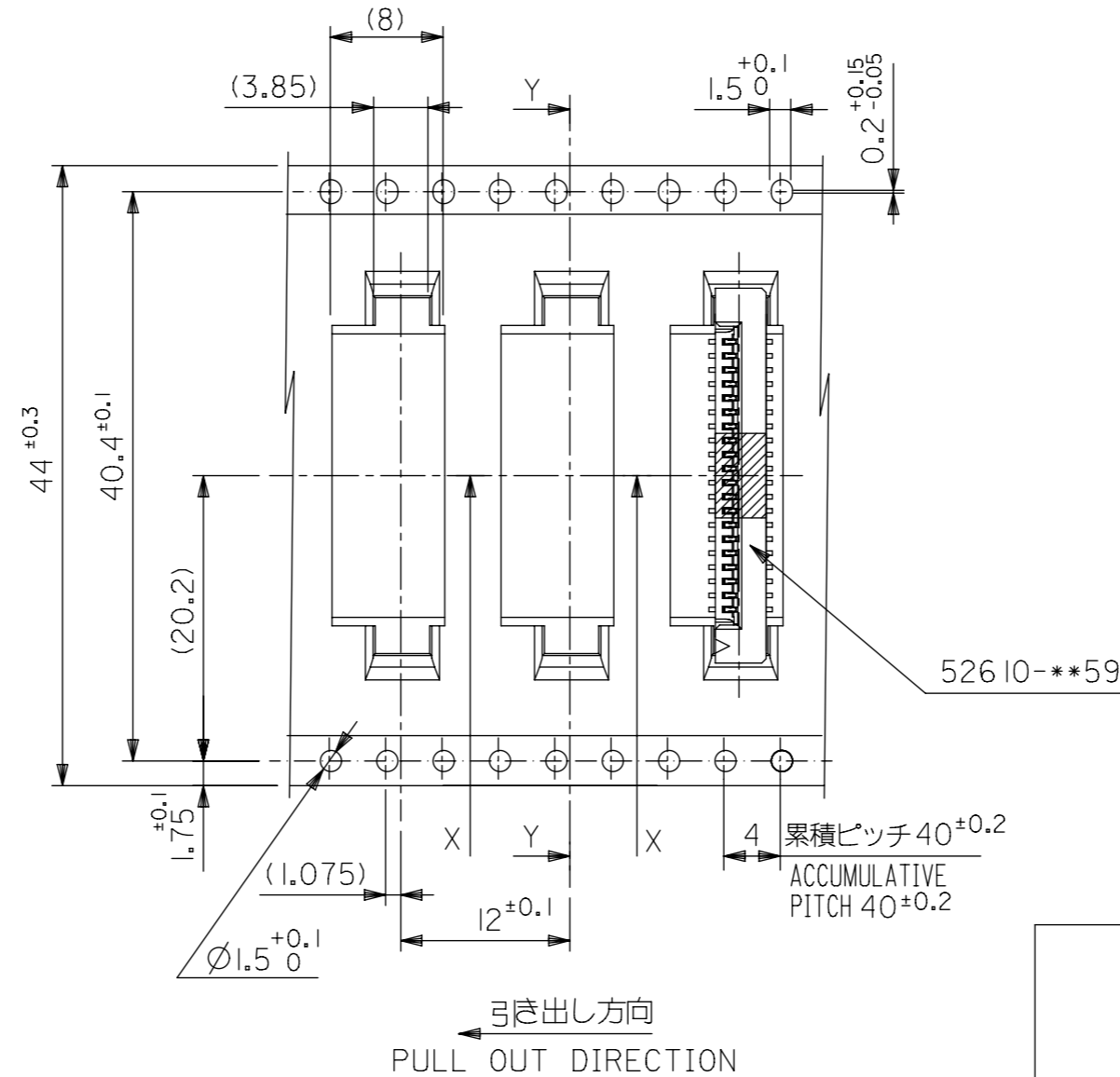
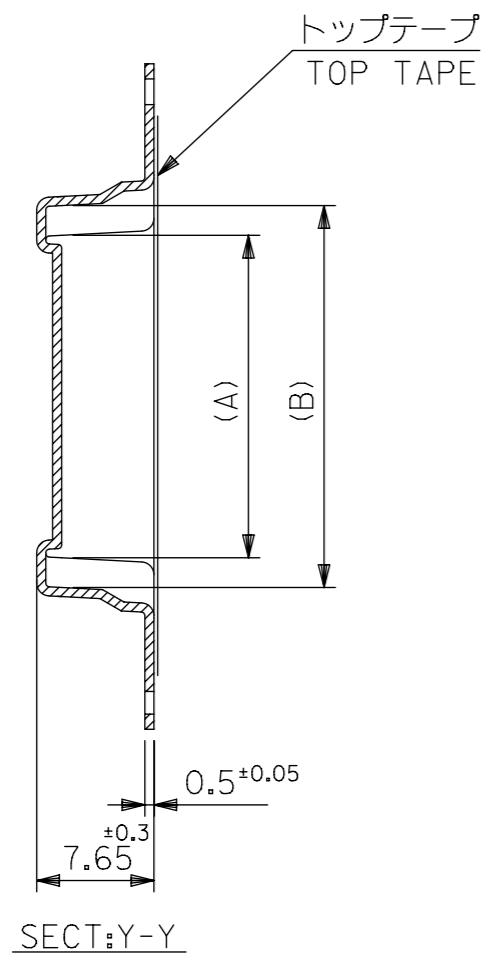
GENERAL TOLERANCES (UNLESS SPECIFIED)	
10 ^{UNDER}	±0.2
10 ^{OVER} 30 ^{UNDER}	±0.25
30 ^{OVER}	±0.3
ANGULAR	±3 °



526 10-**-75 MODEL NO.	32	37.4	33.4	19.25	15.32	526 10-1475	14	
				17.25	13.32	526 10-1275	12	
				16.25	12.32	526 10-1175	11	
	キャリアテープ幅 CARRIER TAPE WIDTH		D	C	(B)	(A)	MATERIAL. NO.	極数 CKT.

THIS DRAWING CONTAINS INFORMATION THAT IS PROPRIETARY TO MOLEX ELECTRONIC TECHNOLOGIES, LLC AND SHOULD NOT BE USED WITHOUT WRITTEN PERMISSION

DIMENSION UNITS		SCALE		CURRENT REV DESC:			
mm		NTS					
GENERAL TOLERANCES (UNLESS SPECIFIED)				<p>molex</p> <p>1.0 FPC CONN SMT ZIF WITH TAPE EMBSTP PKG -LEAD FREE-</p> <p>PRODUCT CUSTOMER DRAWING</p> <p>DOCUMENT NUMBER: SD-52610-035 DOC TYPE: PSD DOC PART: 001 REVISION: C</p>			
ANGULAR TOL		± °					
4 PLACES		±					
3 PLACES		±					
2 PLACES		±					
1 PLACE		±					
0 PLACES		±		EC NO: 719890		2022/08/26	
GENERAL TOLERANCES (UNLESS SPECIFIED)		±		DRWN: NARENC		2022/09/05	
10 ^{UNDER}		±0.2		CHK'D: SMARUYAMA		2022/09/05	
10 ^{OVER} 30 ^{UNDER}		±0.25		APPR: YNAITO		2022/09/05	
30 ^{OVER}		±0.3		INITIAL REVISION:			
ANGULAR		±3 °		DRWN: HSHIMABUKURO		2004/03/30	
				APPR: MSASAO		2004/04/01	
DRAFT WHERE APPLICABLE MUST REMAIN WITHIN DIMENSIONS		THIRD ANGLE PROJECTION		DRAWING		SERIES	
				A3-SIZE		52610	
				MATERIAL NUMBER		CUSTOMER	
				SEE TABLE		GENERAL MARKET	
				SHEET NUMBER		3 OF 5	



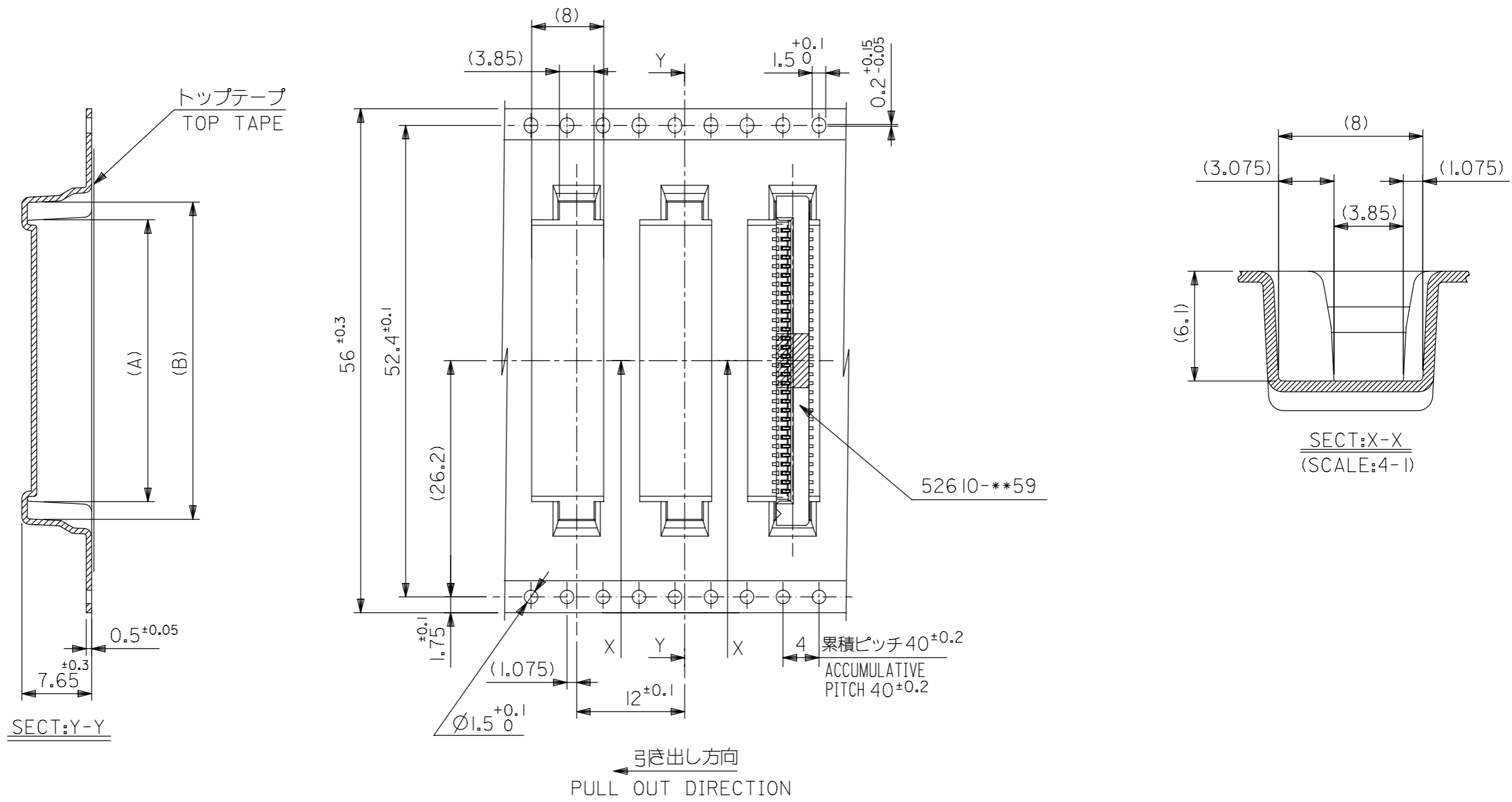
44	49.4	45.4	31.25	27.32	52610-2675	26	
			30.25	26.32	52610-2575	25	
			29.25	25.32	52610-2475	24	
			27.25	23.32	52610-2275	22	
			25.25	21.32	52610-2075	20	
			24.25	20.32	52610-1975	19	
			22.25	18.32	52610-1775	17	
			21.25	17.32	52610-1675	16	
52610-***75	キャリアテープ幅 CARRIER TAPE WIDTH	D	C	(B)	(A)	MATERIAL. NO.	極数 CKT.

THIS DRAWING CONTAINS INFORMATION THAT IS PROPRIETARY TO MOLEX ELECTRONIC TECHNOLOGIES, LLC AND SHOULD NOT BE USED WITHOUT WRITTEN PERMISSION

DIMENSION UNITS	SCALE	CURRENT REV DESC:	
mm	NTS		
GENERAL TOLERANCES (UNLESS SPECIFIED)		molex	
ANGULAR TOL ± °		1.0 FPC CONN SMT ZIF WITH TAPE EMBSTP PKG -LEAD FREE-	
4 PLACES ±		PRODUCT CUSTOMER DRAWING	
3 PLACES ±		DOCUMENT NUMBER	
2 PLACES ±		SD-52610-035	
1 PLACE ±		DOC TYPE	
0 PLACES ±		PSD	
DRAFT WHERE APPLICABLE MUST REMAIN WITHIN DIMENSIONS		DOC PART	
THIRD ANGLE PROJECTION		001	
DRAWING		REVISION	
A3-SIZE		C	
SERIES		SHEET NUMBER	
52610		4 OF 5	
MATERIAL NUMBER		CUSTOMER	
SEE TABLE		GENERAL MARKET	

EC NO: 719890
DRWN: NARENC 2022/08/26
CHK'D: SMARUYAMA 2022/09/05
APPR: YNAITO 2022/09/05

INITIAL REVISION:
DRWN: HSHIMABUKURO 2004/03/30
APPR: MSASAO 2004/04/01



52610-***75 MODEL.NO.	56	61.4	57.4	35.25	31.32	52610-3075	30
				33.25	29.32	52610-2875	28
	キャリアテープ幅 CARRIER TAPE WIDTH			D	C	(B)	(A)
						MATERIAL.NO.	極数 CKT.

THIS DRAWING CONTAINS INFORMATION THAT IS PROPRIETARY TO MOLEX ELECTRONIC TECHNOLOGIES, LLC AND SHOULD NOT BE USED WITHOUT WRITTEN PERMISSION

DIMENSION UNITS mm	SCALE NTS	CURRENT REV DESC:	
GENERAL TOLERANCES (UNLESS SPECIFIED)		molex 1.0 FPC CONN SMT ZIF WITH TAPE EMBSTP PKG -LEAD FREE- PRODUCT CUSTOMER DRAWING	
ANGULAR TOL ± ° 4 PLACES ± 3 PLACES ± 2 PLACES ± 1 PLACE ± 0 PLACES ±			
10 ^{UNDER}	±0.2	EC NO: 719890	2022/08/26
10 ^{OVER} 30 ^{UNDER}	±0.25	DRWN: NARENC	2022/09/05
30 ^{OVER}	±0.3	CHK'D: SMARUYAMA	2022/09/05
ANGULAR	±3 °	APPR: YNAITO	2022/09/05
DRAFT WHERE APPLICABLE MUST REMAIN WITHIN DIMENSIONS		INITIAL REVISION:	DOCUMENT NUMBER
THIRD ANGLE PROJECTION		DRWN: HSHIMABUKURO	SD-52610-035
DRAWING		APPR: MSASAO	DOC TYPE
A3-SIZE		SERIES	DOC PART
52610		MATERIAL NUMBER	001
SEE TABLE		CUSTOMER	REVISION
GENERAL MARKET		C	
5 OF 5		SHEET NUMBER	