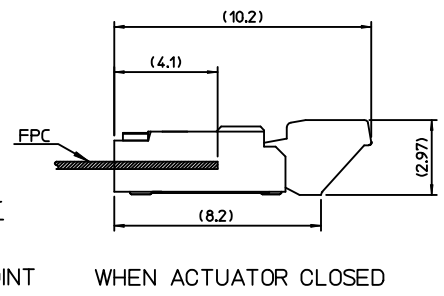
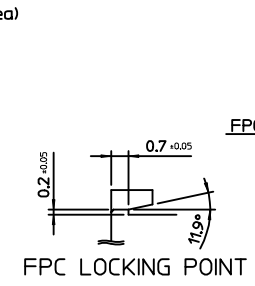
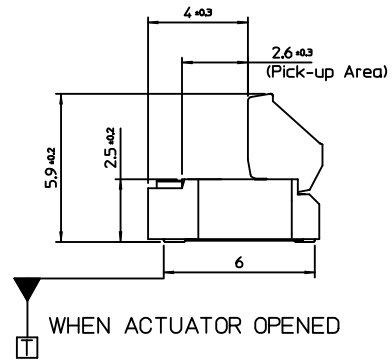
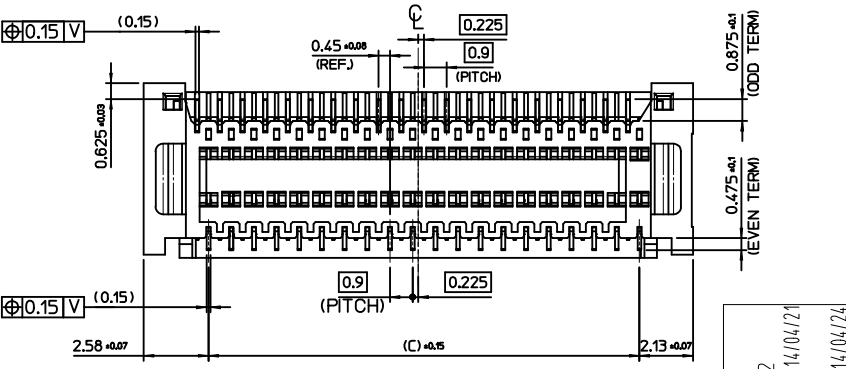
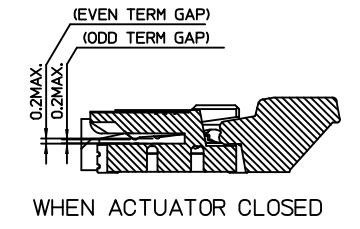
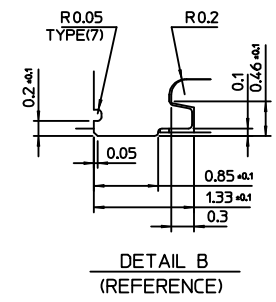
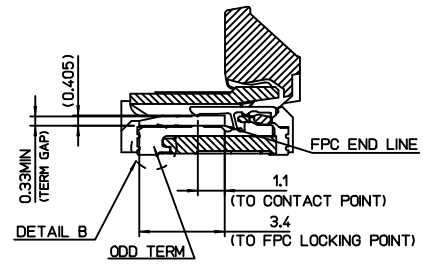
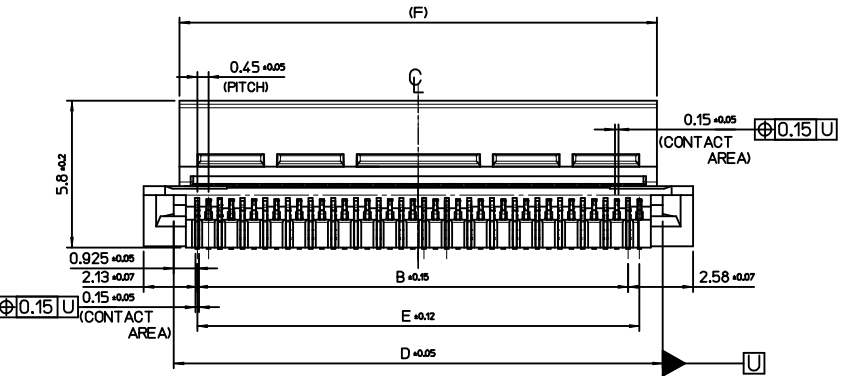
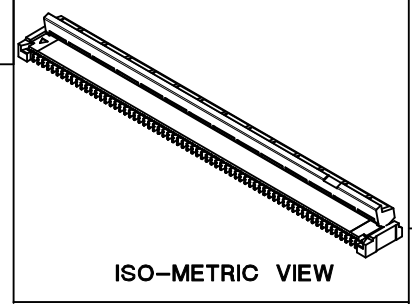
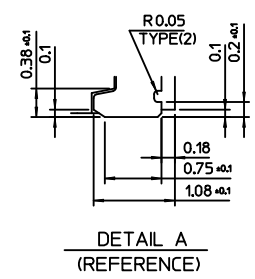


FOR LG

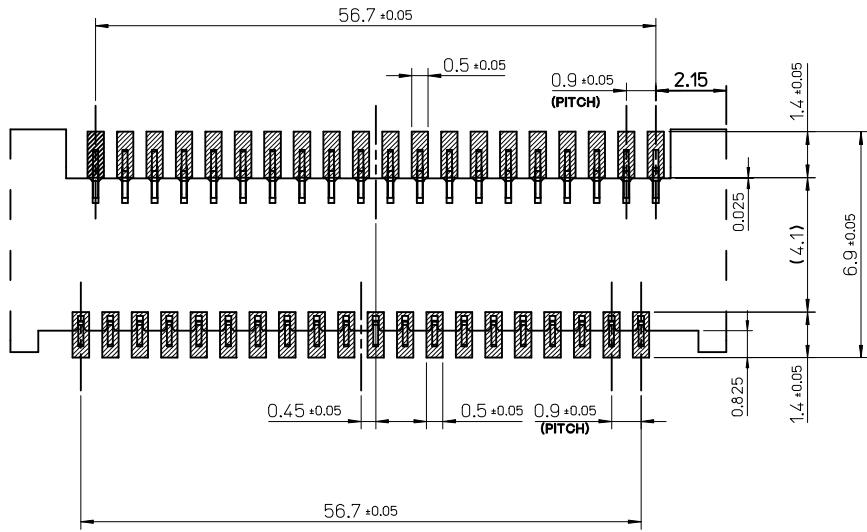


HOUSING	LCP, GLASS FILLED, UL94V-0, COLOR:NATURAL
ACTUATOR	NYLON, GLASS FILLED, UL94V-0, COLOR:BLACK
EVEN TERMINAL	COPPER ALLOY, Au OVER Ni PLATING
ODD TERMINAL	COPPER ALLOY, Au OVER Ni PLATING
PART DESCRIPTION	DETAIL DESCRIPTION

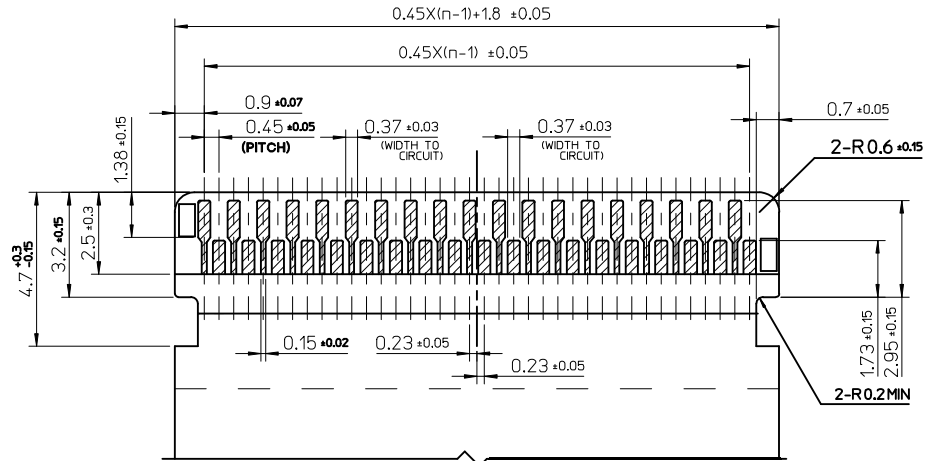
REVISED  
EC NO: KOR2014-0122  
DRWN:YRK/IM 2014/04/21  
CHKD:  
APPR:YSK/IM02 2014/04/24

QUALITY SYMBOLS	▽=0 ◻=0
GENERAL TOLERANCES (UNLESS SPECIFIED)	mm INCH
4 PLACES	± --- ± ---
3 PLACES	± --- ± ---
2 PLACES	± --- ± ---
1 PLACE	± 0.3 ± ---
ANGULAR ± 1 °	
DRAFT WHERE APPLICABLE MUST REMAIN WITHIN DIMENSIONS	

58.55	57.15	59.0	56.7	56.7	61.4	49458-1282	494581285	128
F	E	D	C	B	A	ENG. NO.	EMBOSSED PACKING	CKT
DIMENSION STYLE MM ONLY						SCALE 5:1	DESIGN UNITS METRIC	THIRD ANGLE PROJECTION
DRAWN BY JHLEE05						DATE 2007/01/22	TITLE 0.45 FPC UPPER CONTACT BACKFLIP CONN. 128P	
CHECKED BY KSKIM						DATE 2007/01/22	MOLEX INCORPORATED	
APPROVED BY YSOOKIM						DATE 2007/01/22	DOCUMENT NO. SD-49458-002	
MATERIAL NO.						SHEET NO. 1 OF 3		
SIZE A3						THIS DRAWING CONTAINS INFORMATION THAT IS PROPRIETARY TO MOLEX INCORPORATED AND SHOULD NOT BE USED WITHOUT WRITTEN PERMISSION		



APPLICABLE RECOMMENDED P.C.BOARD PATTERN LAYOUT



APPLICABLE RECOMMENDED FPC/FFC LAYOUT  
THICKNESS : 0.3±0.03

NOTES

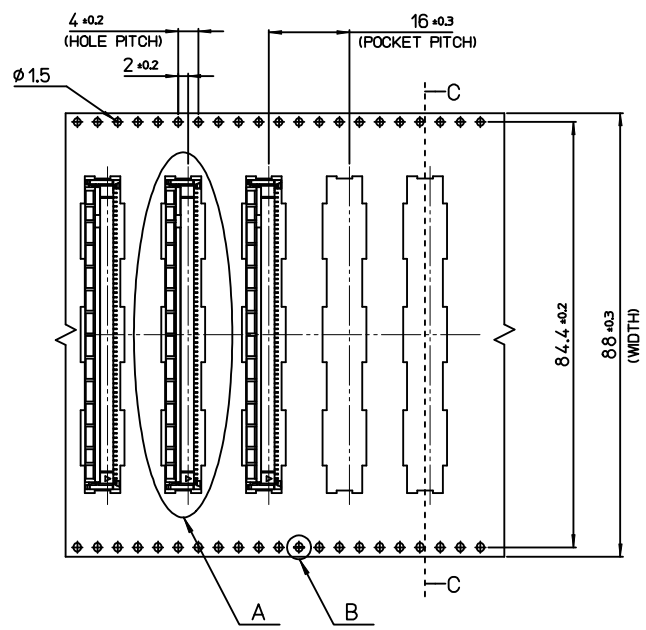
1. MATERIAL
  - HOUSING : LCP GLASS FILLED. UL94V-0, COLOR:NATURAL
  - ACTUATOR : NYLON, GLASS FILLED. UL94V-0, COLOR:BLACK
  - TERMINAL : COPPER ALLOY
2. FINISHES
  - TERMINAL : CONTACT : GOLD[Au] 0.05um MIN. OVER NICKEL(Ni) PLATING 1~3um  
SOLDER TAIL : GOLD[Au] 0.06um MIN. OVER NICKEL(Ni) PLATING 1~3um
3. SOLDER TAILS COPLANARITY IS BEFORE REFLOW TO BE 0.08 MAX.  
AFTER REFLOW TO BE 0.1 MAX.
4. PRODUCT SPECIFICATION : PS-49458-002
5. PACKING SPECIFICATION : SPK-49458-002 (B)
6. ACTUATOR IS OPEN IN THE EMBOSSED PACKING
7. FPC RETENTION FORCE(CLOSED THE ACTUATOR)
  - HORIZONTALITY FORCE : 2.5 Kgf MIN.
  - VERTICALITY FORCE : 3.0 Kgf MIN.

사용상 주의사항

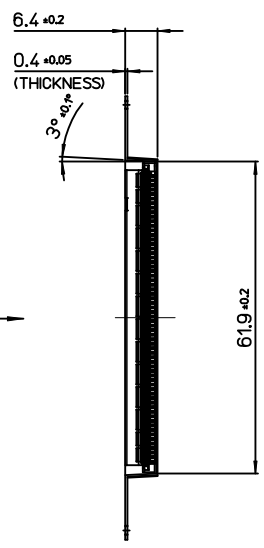
- 입고 및 REFLOW 공정, 모듈 체결前 ACTUATOR를 CLOSE하지 마십시오.  
TERMINAL이 변형될수 있으며 이로인해 접점변형에 의한 FPC 삽입성 저하 및 접점부 신뢰성 약화가 발생할수 있습니다.

FOR LG

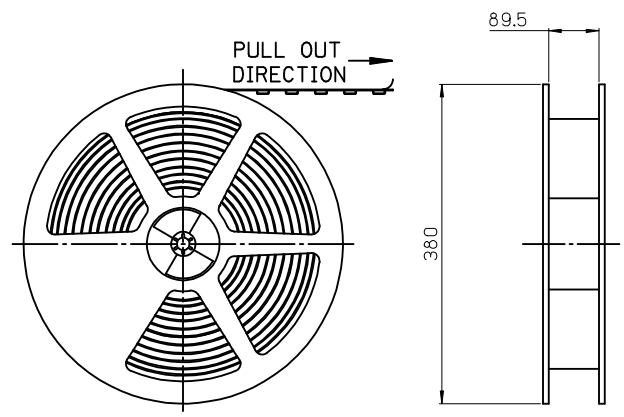
REVISED EC NO: KOR2014-0122 DRWN:YRK/IM 2014/04/17 CHKD: APPR:YSK/IM02 2014/04/24	QUALITY SYMBOLS	GENERAL TOLERANCES (UNLESS SPECIFIED)	DIMENSION STYLE	SCALE	DESIGN UNITS	THIRD ANGLE PROJECTION
	▽=0 □=0	mm INCH 4 PLACES ± --- ± --- 3 PLACES ± --- ± --- 2 PLACES ± --- ± --- 1 PLACE ± 0.3 ± --- ANGULAR ± 1 °	MM ONLY	5:1	METRIC	DRAWN BY: JHLEE05 DATE: 2007/01/22 CHECKED BY: KSK/IM DATE: 2007/01/22 APPROVED BY: YS00K/IM DATE: 2007/01/22
		DRAFT WHERE APPLICABLE MUST REMAIN WITHIN DIMENSIONS	SEE TABLE	TITLE		MOLEX INCORPORATED DOCUMENT NO. SD-49458-002
			SIZE A3	THIS DRAWING CONTAINS INFORMATION THAT IS PROPRIETARY TO MOLEX INCORPORATED AND SHOULD NOT BE USED WITHOUT WRITTEN PERMISSION		SHEET NO. 2 OF 3



PULL OUT DIRECTION



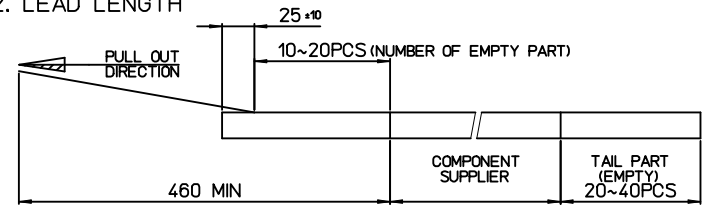
SECTION C-C



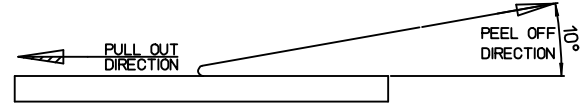
PLASTIC BOBBIN

NOTES

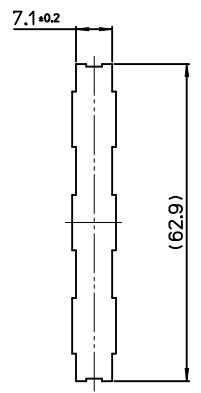
- 1. QUANTITY OF CONNECTORS : 900PCS/REEL
- 2. LEAD LENGTH



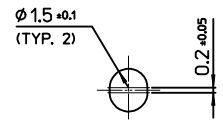
- 3. PEELING OFF FORCE OF COVER TAPE : 0.1N~0.59N(10.2GF~60GF)  
(PEELING DIRECTION AS SHOW IN FOLLOW FIG.)  
PEELING OFF SPEED : 300mm/Min.(Ref.)



- 4. FLASH IN ANY PORTION SHOULD BE LESS THAN 0.20mm MAX.



DETAIL A



DETAIL B

FOR LG

494581285	494581282	88mm	49458-8828
MATERIAL NO.	CONNECTOR	TAPE WIDTH	EMBOSS TAPE
3	PLASTIC BOBBIN	HI P.S	BLACK
2	COVER TAPE	P.E.T	81.5mm
1	CARRIER (EMBOSSED) TAPE	P.E.T	88.0mm
NO.	DESCRIPTION	MATERIAL	REMARK

REVISED  
EC NO: KOR2014-0122  
DRWN:YRKIM  
CHKD:  
APPR:YSKIM02  
2014/04/21  
2014/04/24

QUALITY SYMBOLS	DESCRIPTION
▽=0	
∇=0	

GENERAL TOLERANCES (UNLESS SPECIFIED)	
	mm INCH
4 PLACES	± --- ± ---
3 PLACES	± --- ± ---
2 PLACES	± --- ± ---
1 PLACE	± 0.3 ± ---
ANGULAR ± 1 °	
DRAFT WHERE APPLICABLE MUST REMAIN WITHIN DIMENSIONS	

DIMENSION STYLE	
MM ONLY	
DRAWN BY	DATE
JHLEE05	2007/01/22
CHECKED BY	DATE
KSKIM	2007/01/22
APPROVED BY	DATE
YSOOKIM	2007/01/22
MATERIAL NO.	
SEE TABLE	
SIZE	A3

SCALE	5:1	DESIGN UNITS	METRIC	THIRD ANGLE PROJECTION
TITLE				
0.45 FPC UPPER CONTACT BACKFLIP CONN. 128P				
MOLEX INCORPORATED				
DOCUMENT NO.				SHEET NO.
SD-49458-002				3 OF 3
THIS DRAWING CONTAINS INFORMATION THAT IS PROPRIETARY TO MOLEX INCORPORATED AND SHOULD NOT BE USED WITHOUT WRITTEN PERMISSION				