

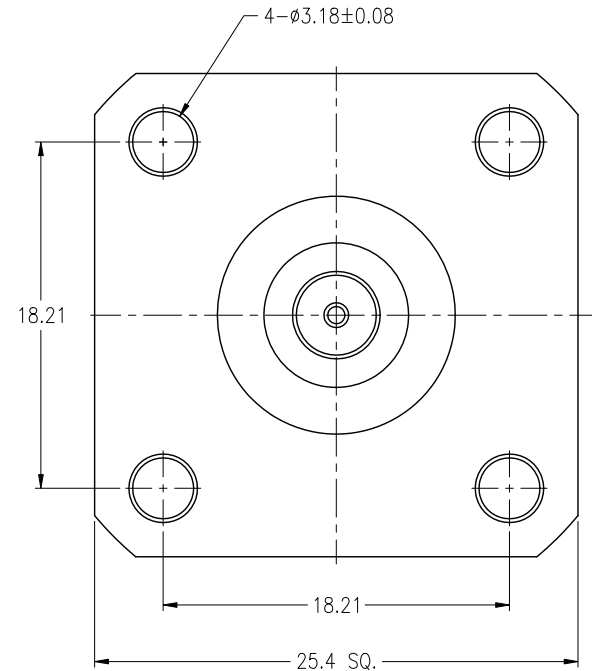
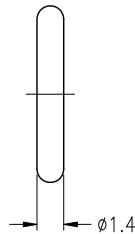
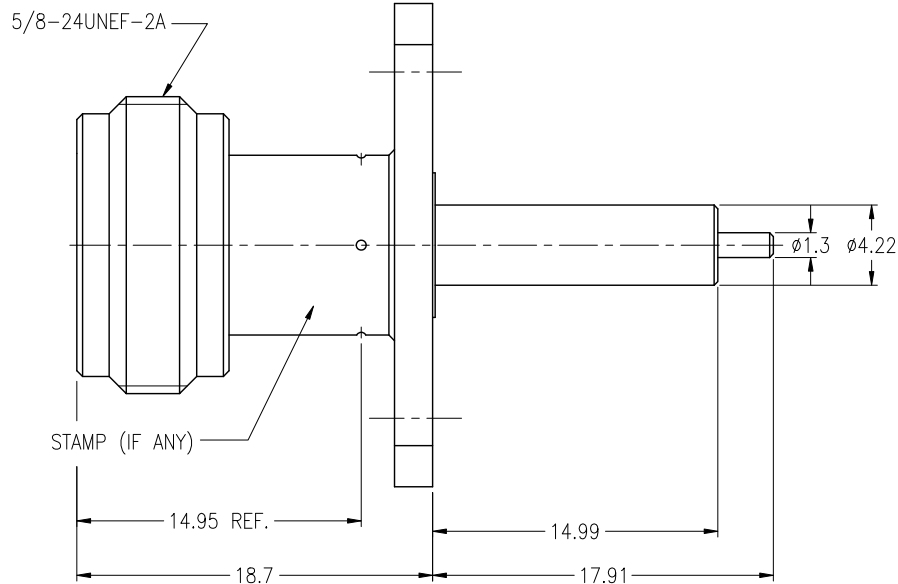
NOTES:

1. MATERIALS AND FINISHES
 BODY - BRASS, ALBALOY PLATING
 CONTACT - PHOSPHOR BRONZE, GOLD PLATING
 INSULATOR - PTFE
2. ELECTRICAL:
 A. IMPEDANCE: 50 OHM
 B. FREQUENCY RANGE: DC 0-11 GHz
 C. DIELECTRIC WITHSTANDING VOLTAGE: 2500 VRMS, MIN.
3. MECHANICAL:
 A. DURABILITY: 500 CYCLES MIN.
 B. TEMPERATURE RANGE: - 65°C to +165°C
4. PACKAGING:
 A. PACK ONE CONNECTOR IN A BAG AND MARK ON THE BAG: "6600-1314
 82-6303"
 B. PACK TWENTY-FIVE WRAPPED CONNECTORS IN A MASTER BAG
 AND MARK ON THE MASTER BAG: "LORCH P/N: 6600-1314
 P/N: 82-6303"

THIRD ANGLE PROJ.

REVISIONS

REV	DESCRIPTION	DATE	ECO	APPR
B	SEE SHEET 1	26-May-04	---	---
B1	SEE SHEET 1	2-Jul-04	---	---
C	SEE SHEET 1	14-Aug-08	---	SH
D	THE PACKAGE MARKING WAS CHANGED/RD-DM09030601S1	18-Mar-09	---	SH
E	SEE SHEET 1	31-Jul-09	47562	SH



CUSTOMER OUTLINE DRAWING
 ALL OTHER SHEETS ARE FOR INTERNAL USE ONLY

UNLESS OTHERWISE SPECIFIED, DIMENSIONS ARE IN METRIC AND TOLERANCES ARE:
 0.5 - 6mm ±0.1mm 6 - 30mm ±0.2mm 30 - 120mm ± 0.3mm ANGLES ±1°

NOTICE - These drawings, specifications, or other data (1) are, and remain the property of Amphenol Corp. (2) must be returned upon request; and (3) are confidential and not to be disclosed to any person other than those to whom they are given by Amphenol Corp. The furnishing of these drawings, specifications, or other data by Amphenol Corp., or to any other person to anyone for any purpose is not to be regarded by implication or otherwise in any manner licensing, granting rights or permitting such holder or any other person to manufacture, use or sell any product, process or design, patented or otherwise, that may in any way be related to or disclosed by said drawings, specifications, or other data.

MATERIAL	DRAWN S.HE	DATE 30-Jul-09	TITLE N PANEL RECEPT. JACK			Amphenol RF Danbury CT USA, Tainan Taiwan, Shenzhen China www.amphenolrf.com	
REFERENCE	ENGINEER C.WANG	DATE 14-Aug-08	APPROVED A.CHEN			DRAWING NO. N6551E1-035-AT50GA-50	
FINISH	CAD FILE F:\DWG\N\6551E1\035\50\AT50GA-ESZ	DATE 30-Jul-09	SCALE: 2.5/1	SHEET 2 OF 2	ITEM NO. 036551ACR02AL5F		
			DWG SIZE B	CODE ID 74868	REV E	PART NO. 82-6303	