

NOTES:

1. RoHS COMPLIANT
2. FOR WAVESOLDERING (SOLDER BATH TEMPERATURE 260°C FOR 5 SEC. AND SOLDER PREHEAT 100°C FOR 30 SEC.)
3. METALSHELLS: STEEL; min. 315µm TIN over 40-80µm NICKEL
4. INSULATORS: HIGH TEMPERATURE PLASTIC UL 94 V-0, BLACK
5. CONTACTS: COPPER ALLOY; PLATING (SEE PART NO):
 - PLEASE ADD A for GOLD FLASH over NICKEL (PREFERRED TYPE)
 - PLEASE ADD B for 20µm HARD GOLD over min. 50µm NICKEL
 - PLEASE ADD C for 30µm HARD GOLD over min. 50µm NICKEL
 CONTACT TAILS PRETINNED
6. METAL BRACKETS: ZINC DIE CAST; 300µm COPPER/40-120µm NICKEL/120-200µm TIN
7. THREADED INSERTS: COPPER ALLOY; min. 200µm TIN over 80µm NICKEL
8. PCB-SNAPS: COPPER ALLOY; min. 200µm TIN over 80µm NICKEL
PCB-HOLE: Ø3,1±0,1; PCB THICKNESS 1,6mm
9. FIXING-PLATE: HIGH TEMPERATURE PLASTIC UL 94 V-0; BLACK
10. CAPACITANCE: 180pF±20%
11. DIELECTRIC WITHSTANDING VOLTAGE: 424 VDC
12. P.C.B. HOLE DRILLINGS ON SHEET 2
13. MAXIMUM TORQUE VALUE FOR THREAD: 6 in.LB
14. CONNECTOR IS PART MARKED: 242□17800X CONEC ABC (see note 5)

Directive 2002/95/EC RoHS compliant

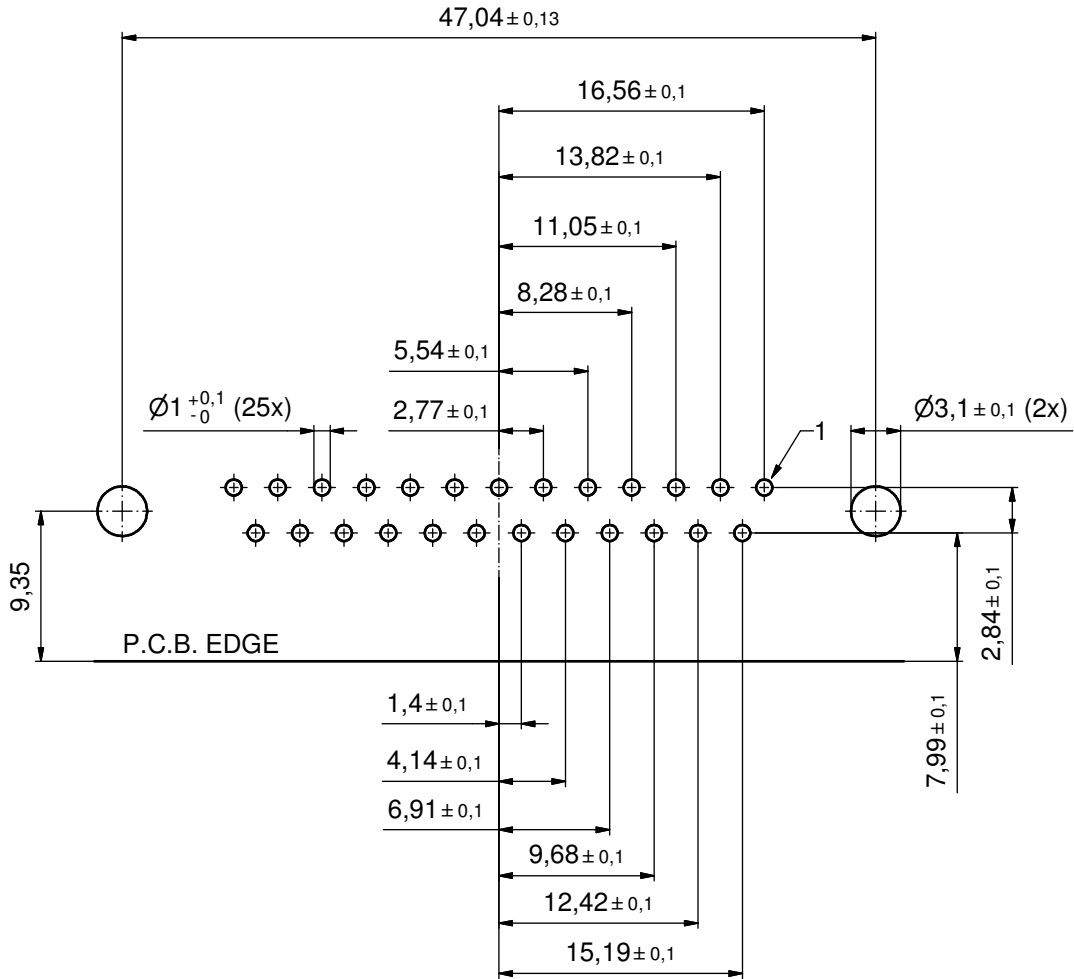
THIS DRAWING MAY NOT BE COPIED OR REPRODUCED IN ANY WAY, AND MAY NOT BE PASSED ON TO A THIRD PARTY WITHOUT WRITTEN PERMISSION. OWNERSHIP AND COPYRIGHT OF CONEC GmbH
 DO NOT ALTER CAD DRAWING BY HAND

tolerance		dim. in mm	
date	name	date	name
drawn 26.06.13	Henneboel	appd. 27.06.13	Fischer
norm		d-old	
rev. a	Original	CONEC ®	
description	date		

scale:	2:1 (5:1)	
material:	SEE NOTES	
title:	D-SUB FILTER FEMALE 90° 25pos. SOLDER PIN ANGLED 0.318inch with threaded insert, metal bracket, snap, fixing plate	
dwg no:	24K1A1453	DIN-A3
part no:	242□17800X	sh: 1/2
(see note 5)		

P.C.B. HOLE DRILLINGS

(P.C.B. TOP SIDE)



THIS DRAWING MAY NOT BE COPIED OR REPRODUCED IN ANY WAY, AND MAY NOT BE PASSED ON TO A THIRD PARTY WITHOUT WRITTEN PERMISSION. OWNERSHIP AND COPYRIGHT OF CONEC GmbH DO NOT ALTER CAD DRAWING BY HAND				tolerance		scale: 3:1	
				date	name	material: SEE SHEET 1	
				drawn	26.06.13	Henneboel	title: P.C.B. HOLE DRILLINGS D-SUB FILTER FEMALE 90°, 25pos. 0.318inch with threaded insert, metal bracket, snap, fixing plate
				appd.	27.06.13	Fischer	
				norm			
				d-old			dwg no:
a	Original		CONEC [®]			24K1A1453	DIN-A3
rev.	description	date				name	part no: SEE SHEET 1