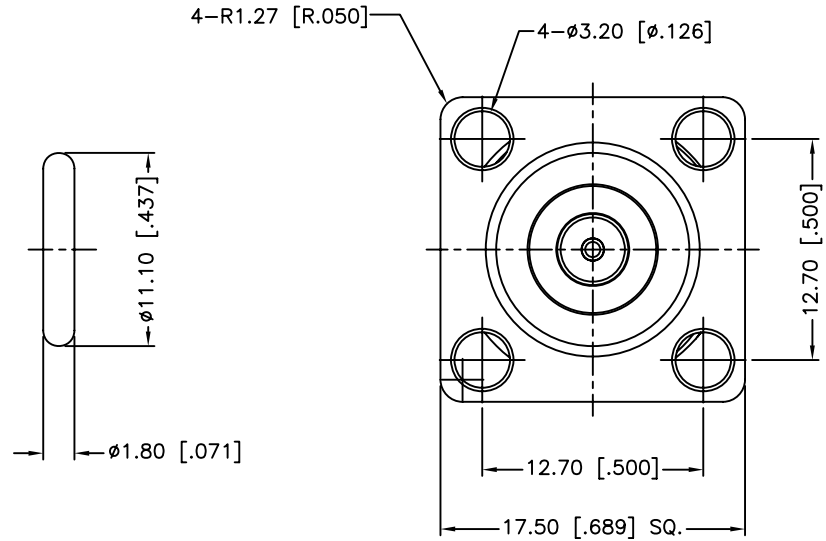
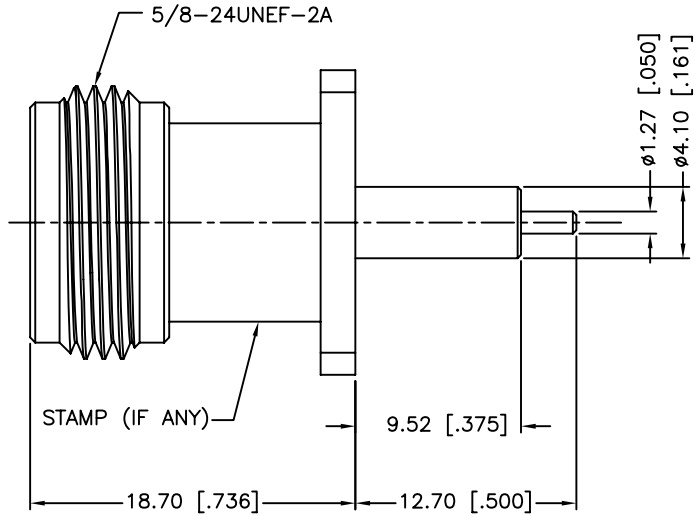
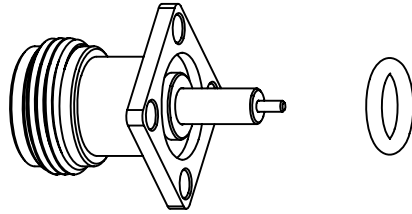


REV.	DATE	ECR NO.	DESCRIPTION
NC	01/24/11	--	INITIAL RELEASE
A	04/20/11	2161	CHANGE THE CONTACT LENGTH TO .500" FROM .455"



DESCRIPTION	MATERIAL	FINISH	QTY
4 GASKET	SILICONE	RED	1
3 CONTACT PIN	PHOSPHOR BRONZE	GOLD	1
2 INSULATOR	PTFE	NATURAL	1
1 BODY	BRASS	NEXCOTE	1

UNLESS OTHERWISE SPECIFIED DIMENSIONS ARE IN MILLIMETERS. DIMENSIONS IN [] ARE IN INCHES AND FOR CUSTOMER REFERENCE ONLY.

UNLESS OTHERWISE SPECIFIED TOLERANCES FOR MILLIMETERS ARE:
0.5 - 8mm ± 0.20mm
8 - 30mm ± 0.40mm
30 - 120mm ± 0.50mm

UNLESS OTHERWISE SPECIFIED TOLERANCES FOR INCHES ARE:
.020 - .315 = ± 0.007"
.315 - 1.180 = ± 0.015"
1.180 - 4.724 = ± 0.020"

DO NOT SCALE DRAWING

APPROVALS		DATE
DRAWN	M.ZHANG	04/20/11
CHECKED		
ISSUED		
SHEET	1 OF 1	
CAD FILE	C:/CONNEX/172224-24.DWG	

Amphenol Connex

PART DESCRIPTION
**N PANEL RECEPT. JACK
EXTENDED TEFLON/CONTACT (.375"/.500")**

PART NO.
172224-24

DWG. NO. 172224-24.DWG	REV. NC	SIZE A	SCALE NA
------------------------	---------	--------	----------