

4

3

2

1

THIS DRAWING IS UNPUBLISHED.

RELEASED FOR PUBLICATION

,19

© COPYRIGHT 19

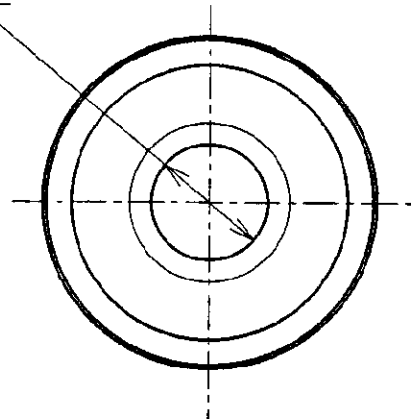
BY AMP INCORPORATED. ALL RIGHTS RESERVED.

LOC DIST

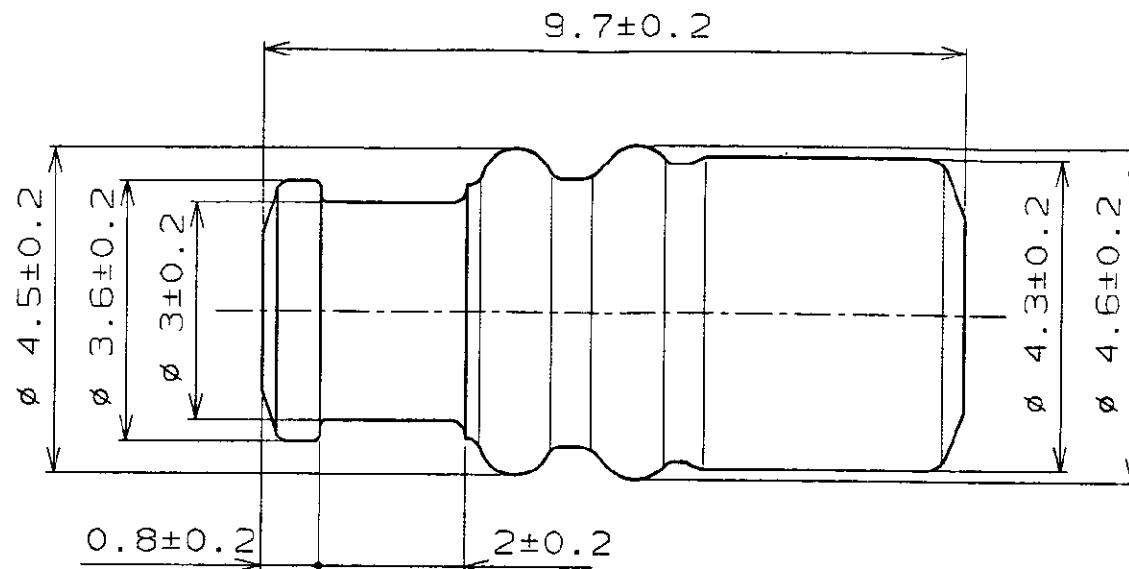
REVISIONS

P	LTR	DESCRIPTION	ECN	DATE	DWN	APVD
0	作成	DRAWN	FJ00-4706-96	6/3 '96	JH	82

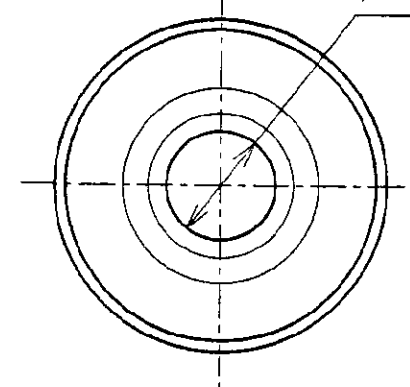
∅ 1.6±0.2



9.7±0.2



∅ 1.5±0.2



SIR	DARK PURPLE (濃紫)	1-900325-9
材料(MATERIAL)	色(COLOR)	型番(P/N)

WIRE RANGE 適合電線断面積 0.5~0.85mm ²	INSULATION DIA 被覆外径 ∅2.0~∅2.3
--	-------------------------------------

DIMENSIONS: 單位: 毫米 mm		TOLERANCES UNLESS OTHERWISE SPECIFIED 公差: 一般公差 30mm: ±0.25 100mm: ±0.3 ANGLE: ±2°		DWN 9. Hayashi 6/3 '96	CHK JH	APVD JH 6/3 '96	NAME 名称
MATERIAL 材料 SIR		FINISH 仕上		PRODUCT SPEC 製品規格 108-5355	APPLICATION SPEC 取付適用規格 114-5230		
				WEIGHT 0.11g	SIZE A3	CAGE CODE 00779	DRAWING NO 番号 C-900325
				CUSTOMER DRAWING			SCALE 尺度 10-1

AMP 株式会社 Kawasaki, Japan	
.070 RUBBER PLUG (M)	
SIZE A3	CAGE CODE 00779
DRAWING NO 番号 C-900325	
SCALE 尺度 10-1	SHEET 1 OF 1
REV 0	