



Electrical specifications

Center Frequency: 2436.5 MHz
Bandwidth: (-3 dB): 70 MHz
Input / Output Impedance: 50 Ohm
Passband: 2401.5 – 2471.5 MHz
Passband Insertion Loss: <1.1dB(0.9dB typical)
Passband Ripple: <0.2 dB
Passband Return Loss: 15dB (-18dB typical)
Selectivity:
 20dB BW: <91 MHz (Fc+/-45.5MHz)
 30dB BW: <106MHz (Fc+/-53 MHz)
 60dB BW: <150MHz (Fc+/-75 MHz)
Harmonic Rejection: >80dB (90dB typical)
Power Handling: 50 W

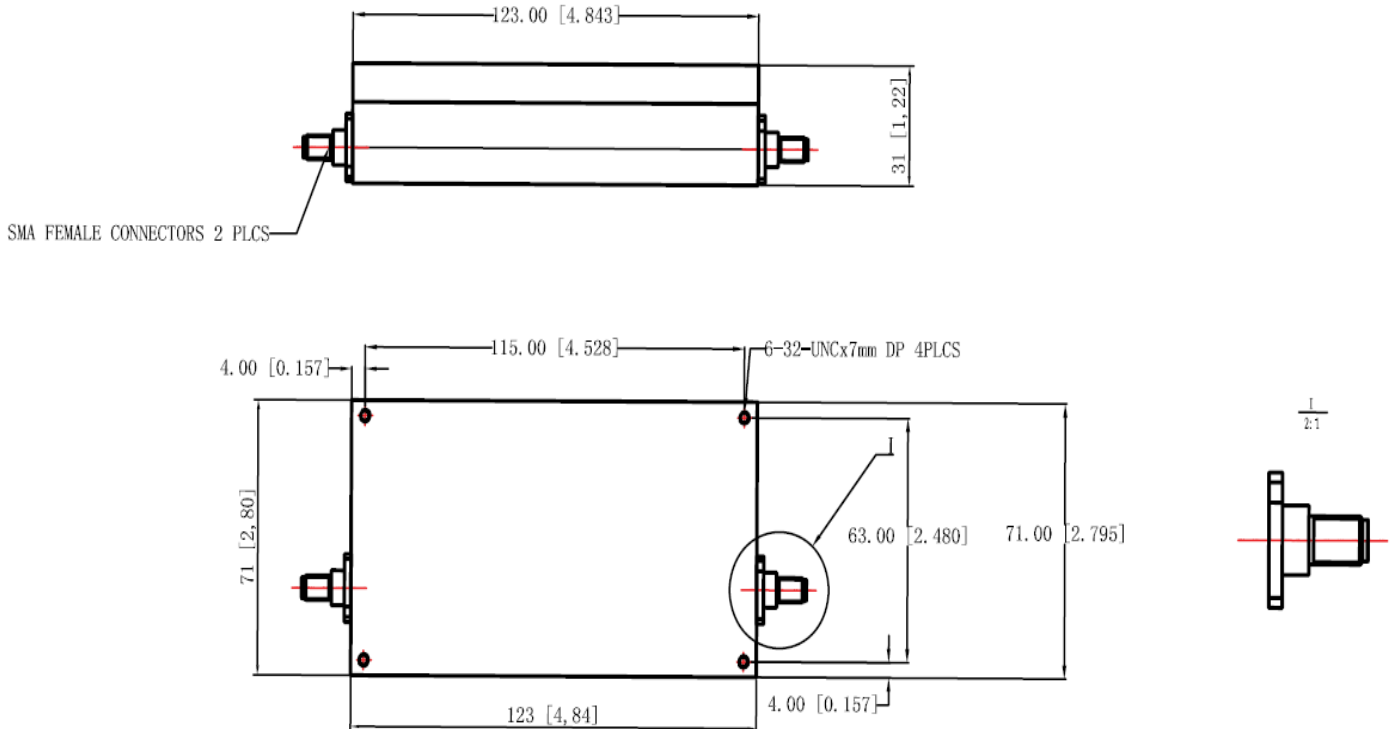
Mechanical

Mounting Method: Threaded Mounting Holes
Connector Type: SMA (F)
Dimensions: 4.84" x 2.8" x 1.22"

Environmental

Operating Temperature: -40 to +85 deg.C
Storage Temperature: -55 to +95 deg.C
Shock: 20 G. 11ms
Vibration: 20 G. 5 to 200 MHz

Outline Drawing:





Response Plot:

