

5-1734857-1 ✓ ACTIVE

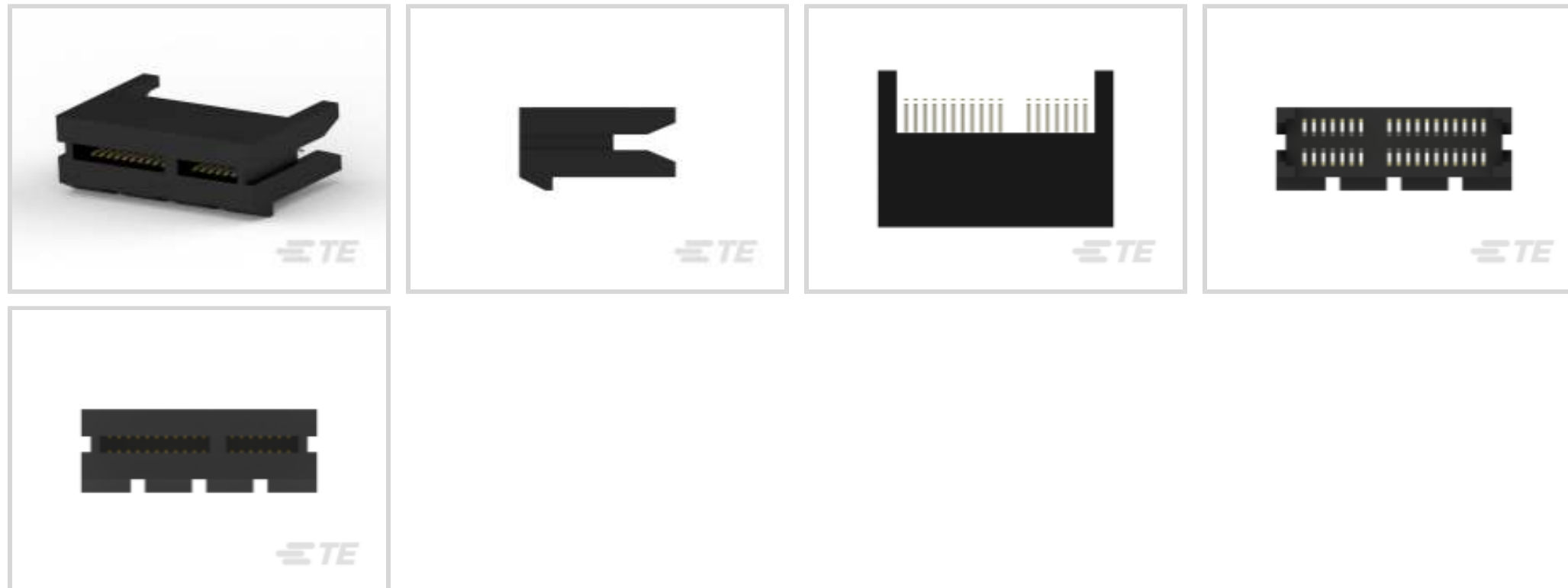
TE Internal #: 5-1734857-1

PCI & PCI Express Connectors, Board-to-Board, 36 Position, .039 in [1 mm] Centerline, Straddle Mount, Black, Height .394 in [10 mm]

[View on TE.com >](#)



Connectors > PCB Connectors > Card Edge Connectors > PCI & PCI Express Connectors



Connector System: **Board-to-Board**

Number of Positions: **36**

PCI Generation: **2 & 3**

Centerline (Pitch): **1 mm [.039 in]**

Termination Post & Tail Length: **3.93 mm [.16 in]**

Features

Product Type Features

Connector System	Board-to-Board
Connector & Contact Terminates To	Printed Circuit Board

Configuration Features

Number of Positions	36
PCB Mount Orientation	Straddle Mount
Ejector	Without

Electrical Characteristics

Operating Voltage	50 VAC
-------------------	--------

Body Features

Product Weight	2.9 g[.102 oz]
Primary Product Color	Black

Contact Features

PCB Contact Termination Area Plating Material Thickness	2.54 μ m
Contact Mating Area Plating Material	Gold
PCB Contact Termination Area Plating Material Finish	Matte



PCB Contact Termination Area Plating Material	Tin
Contact Base Material	Phosphor Bronze
	1 μ m
Contact Current Rating (Max)	1.1 A

Termination Features

Termination Method to Printed Circuit Board	Surface Mount
Termination Post & Tail Length	3.93 mm[.16 in]

Mechanical Attachment

PCB Mount Retention Type	Kinked
Connector Mounting Type	Board Mount

Housing Features

Housing Material	PA 9T GF
Centerline (Pitch)	1 mm[.039 in]

Dimensions

Connector Length	25 mm[.984 in]
PCB Thickness (Accepted)	1.57 mm[.062 in]
PCB Thickness (Recommended)	1.57 mm[.062 in]
Connector Height	10 mm[.394 in]
Connector Width	8.8 mm[.346 in]

Usage Conditions

Operating Temperature Range	-40 – 85 °C[-40 – 185 °F]
-----------------------------	---------------------------

Operation/Application

Assembly Process Feature	Pick and Place Cover
Circuit Application	Signal

Industry Standards

Bus Type	PCI Express
PCI Generation	2 & 3

Packaging Features

Packaging Quantity	70
Packaging Method	Box & Tray, Tray

Product Compliance

[For compliance documentation, visit the product page on TE.com>](#)

EU RoHS Directive 2011/65/EU	Compliant
EU ELV Directive 2000/53/EC	Compliant
China RoHS 2 Directive MIIT Order No 32, 2016	No Restricted Materials Above Threshold
EU REACH Regulation (EC) No. 1907/2006	Current ECHA Candidate List: JUNE 2023 (235) Candidate List Declared Against: JAN 2022 (223) Does not contain REACH SVHC
Halogen Content	Not Low Halogen - contains Br or Cl > 900 ppm.
Solder Process Capability	Reflow solder capable to 260°C

Product Compliance Disclaimer

This information is provided based on reasonable inquiry of our suppliers and represents our current actual knowledge based on the information they provided. This information is subject to change. The part numbers that TE has identified as EU RoHS compliant have a maximum concentration of 0.1% by weight in homogenous materials for lead, hexavalent chromium, mercury, PBB, PBDE, DBP, BBP, DEHP, DIBP, and 0.01% for cadmium, or qualify for an exemption to these limits as defined in the Annexes of Directive 2011/65/EU (RoHS2). Finished electrical and electronic equipment products will be CE marked as required by Directive 2011/65/EU. Components may not be CE marked. Additionally, the part numbers that TE has identified as EU ELV compliant have a maximum concentration of 0.1% by weight in homogenous materials for lead, hexavalent chromium, and mercury, and 0.01% for cadmium, or qualify for an exemption to these limits as defined in the Annexes of Directive 2000/53/EC (ELV). Regarding the REACH Regulation, the information TE provides on SVHC in articles for this part number is based on the latest European Chemicals Agency (ECHA) 'Guidance on requirements for substances in articles' posted at this URL: <https://echa.europa.eu/guidance-documents/guidance-on-reach>

Compatible Parts

 <p>TE Part # 5-2337939-4 PCIE GEN4 CON,SMT,164POS,30u", MYLAR,HT</p>	 <p>TE Part # 1734774-1 PCI EXP 3.1L 36 POS WHT G/F</p>
--	---

Customers Also Bought



TE Part #2176070-8
3521 20R 1% 2W



TE Part #6-1393211-6
T92P7D12-24



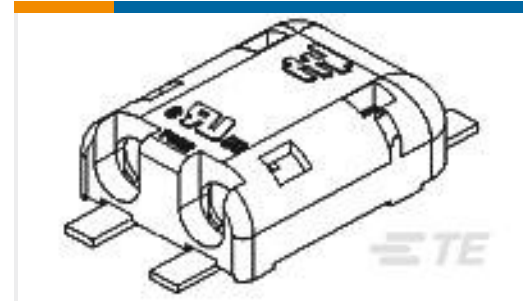
TE Part #440054-2
2.0MM,HDR,2POS,VERTICAL



TE Part #6-1622824-1
RL73N 1J R10 5% 5K RL



TE Part #5103308-6
A/L LOW PRO HDR 26P VERT BLACK



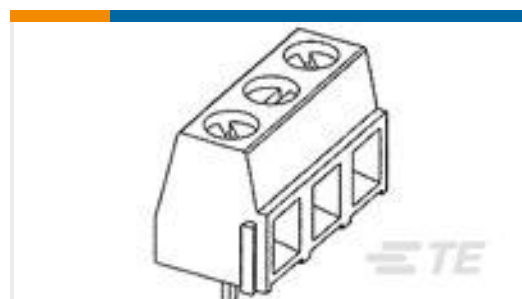
TE Part #1954097-1
Poke In SMT,2 Position Connect



TE Part #5212044-1
5 CIRC DIN RCPT GRND SHLD



TE Part #1-1734795-1
RJ45,8P8C,SHD,W/ LED,DIP 6u"



TE Part #1546216-2
TERMI-BLOK PCB MOUNT 90 2P.



TE Part #2306654-3
SPRING FINGER 1.8H

Documents

Product Drawings

[PCI EXP STRADDLE 36P BLK 1u"](#)

English

CAD Files

Customer View Model

[ENG_CVM_CVM_5-1734857-1_B.2d_dxf.zip](#)

English

3D PDF

3D

Customer View Model

[ENG_CVM_CVM_5-1734857-1_B.3d_igs.zip](#)

English

Customer View Model

[ENG_CVM_CVM_5-1734857-1_B.3d_stp.zip](#)

English

By downloading the CAD file I accept and agree to the [Terms and Conditions](#) of use.

Datasheets & Catalog Pages



[4-1773442-7 Card Edge Connector for PCI Express Applications](#)

English

[Product Specifications](#)

[Product Specification](#)

English

[Product Specification](#)

English