



# TAOGLAS®



# Datasheet

**Part No:**  
DSGP.1575.12.4.A.02

**Description**

GPS L1 / GALILEO E1 1575MHz Ceramic SMD Patch Antenna

**Features:**

- 2.73 dBi Peak Gain for GPS/GALILEO Band
- SMD Mount Ceramic Patch Antenna
- Dimension: 12 x 12 x 4mm
- Automotive IATF16949 Production and Quality Approved
- RoHS Compliant

<b>1.</b>	<b>Introduction</b>	<b>2</b>
<b>2.</b>	<b>Specification</b>	<b>3</b>
<b>3.</b>	<b>Antenna Characteristics</b>	<b>4</b>
<b>4.</b>	<b>Radiation Patterns</b>	<b>6</b>
<b>5.</b>	<b>Mechanical Drawing</b>	<b>8</b>
<b>6.</b>	<b>Antenna Integration Guide</b>	<b>9</b>
<b>7.</b>	<b>Solder Reflow Profile</b>	<b>15</b>
<b>8.</b>	<b>Packaging</b>	<b>16</b>
<hr/>		
	Changelog	17

Taoglas makes no warranties based on the accuracy or completeness of the contents of this document and reserves the right to make changes to specifications and product descriptions at any time without notice. Taoglas reserves all rights to this document and the information contained herein. Reproduction, use or disclosure to third parties without express permission is strictly prohibited.



## 1. Introduction



The DSGP.1575.12.4.A.02 is a ceramic GPS L1 / GALILEO E1 passive patch antenna. 12mm square and with a height of just 4mm, this antenna is perfect for applications in compact telematics devices, vehicle tracking/fleet management systems, wearables and navigation devices.

The antenna has been tuned on a 50\*50mm ground plane, working at 1575.42MHz with a 2.73dBi gain. The ceramic patch is mounted via SMT process, suitable for high-volume low-cost assembly.

The antenna is manufactured and tested in a TS16949 first tier automotive approved facility.

Small antennas should ideally be custom tuned for the device environment, Taoglas offers this service subject to NRE and MOQ. For more details please contact your regional Taoglas sales office.

## 2. Specification

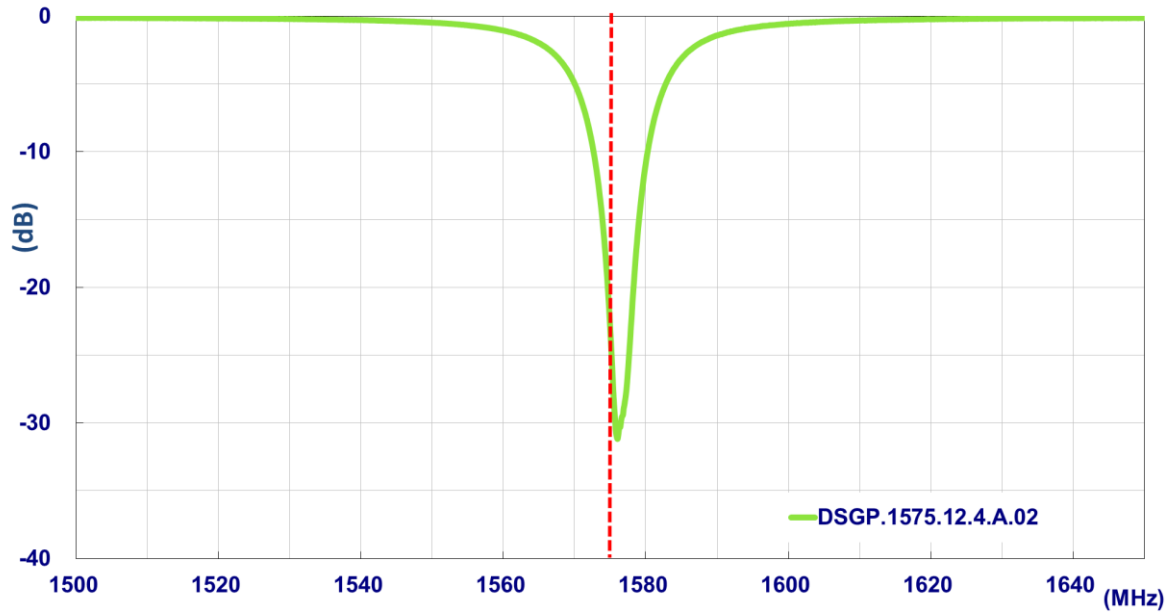
Electrical						
Band	Frequency (MHz)	Efficiency (%)	Peak Gain (dBi)	Return Loss(dB)	Impedance	Polarization
GPS L1/ Galileo E1	1575.42 ±1.023 MHz	62.36	2.73	<-10	50 Ω	RHCP

Mechanical	
Dimensions	12 x 12 x 4mm
Material	Ceramic
Weight	3.3g

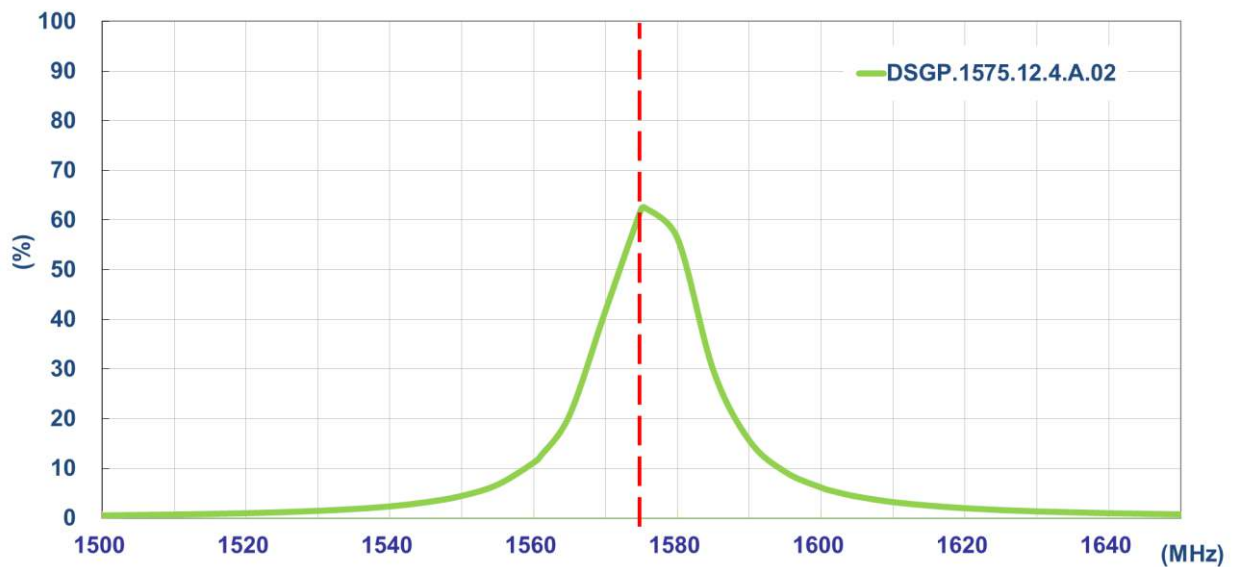
Environmental	
Operation Temperature	-40°C to 85°C
Storage Temperature	-40°C to 105°C
Humidity	Non-condensing 65°C 95% RH
Moisture Sensitivity Level (MSL)	3 (168 Hours)

### 3. Antenna Characteristics

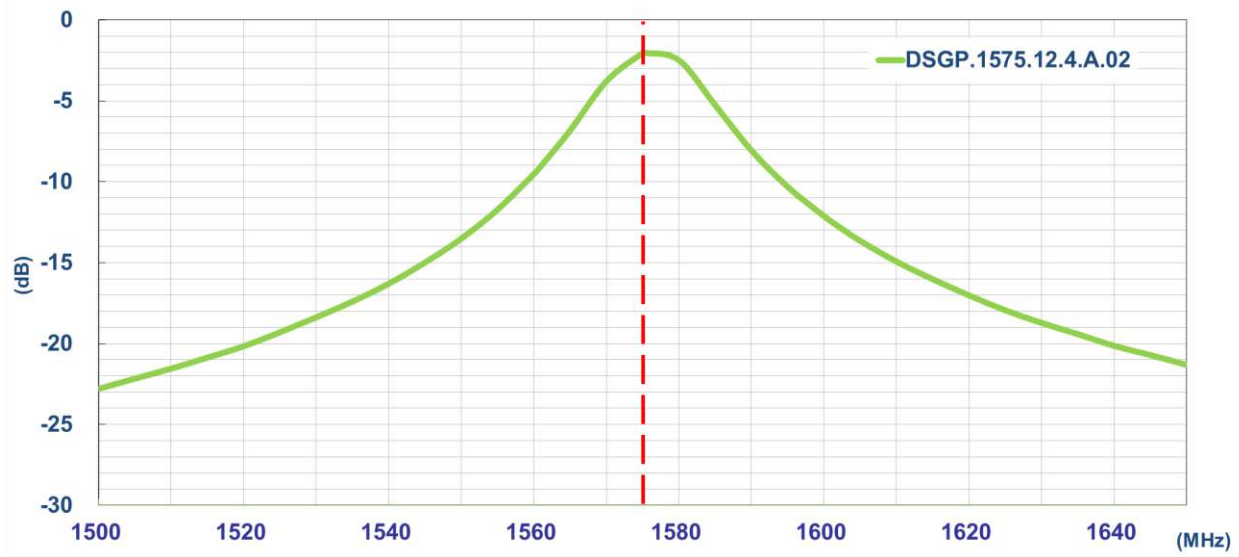
#### 3.1 Return Loss



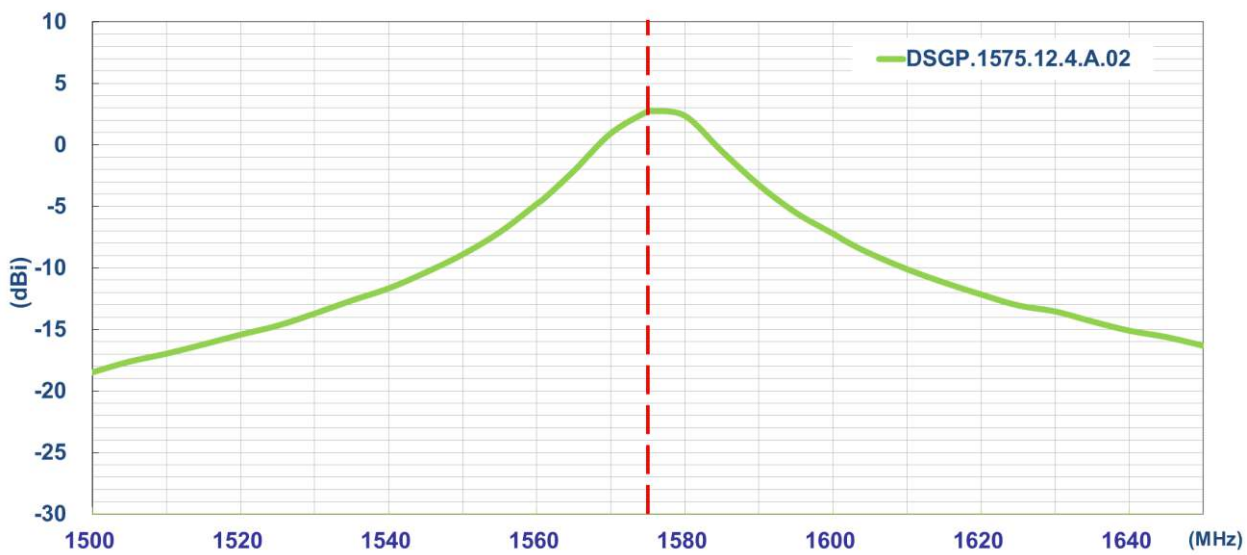
#### 3.2 Efficiency



### 3.3 Average Gain

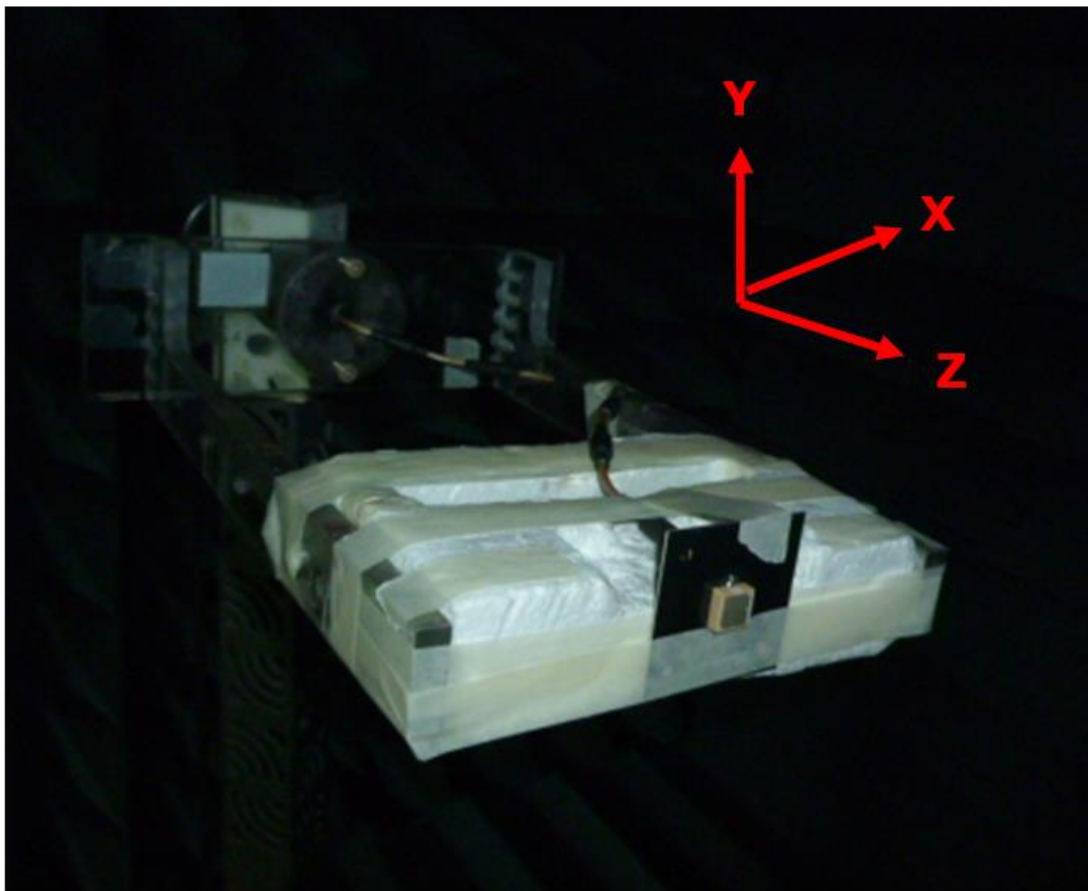
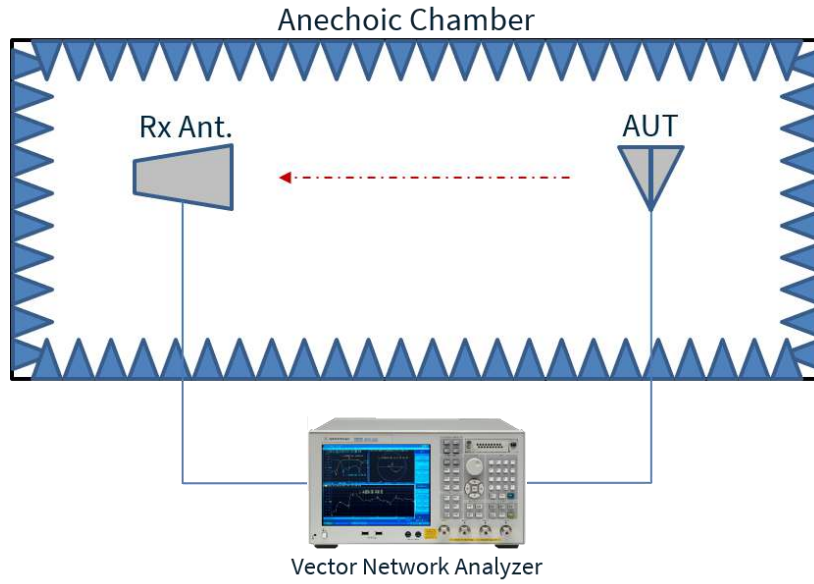


### 3.4 Peak Gain

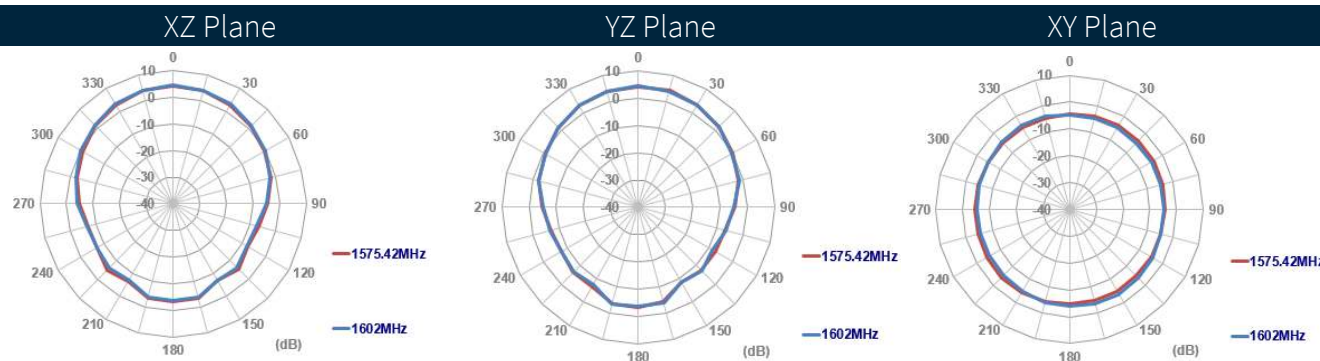
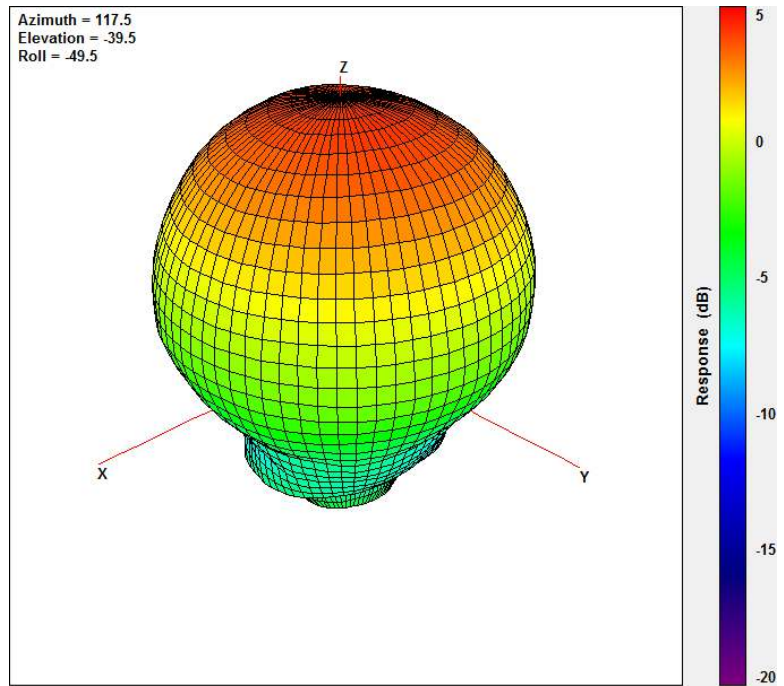


## 4. Radiation Patterns

### 4.1 Test Setup

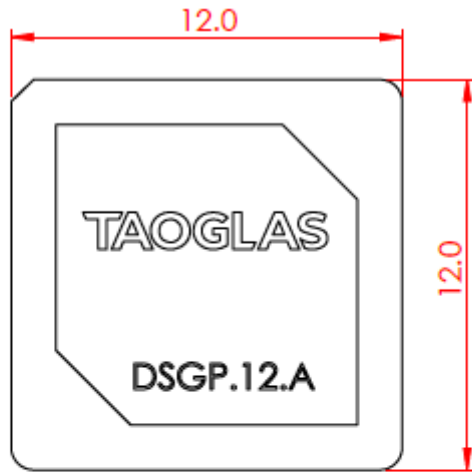


4.2 DSGP.1575.12.4.A.02 - Patterns at 1575.42 MHz

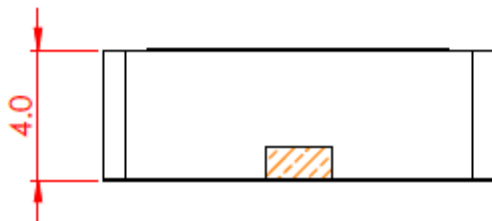




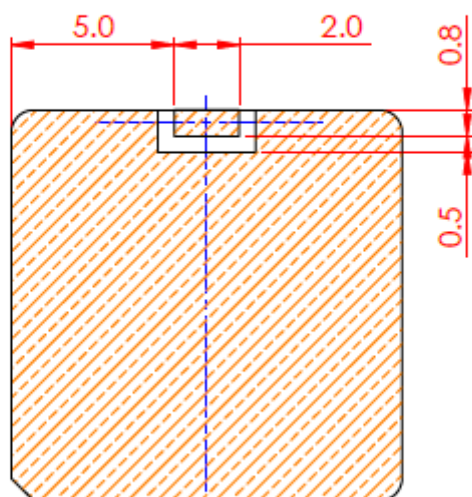
## 5. Mechanical Drawing



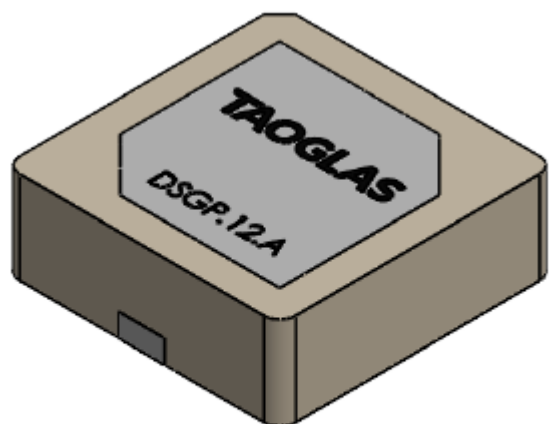
TOP VIEW



FRONT VIEW

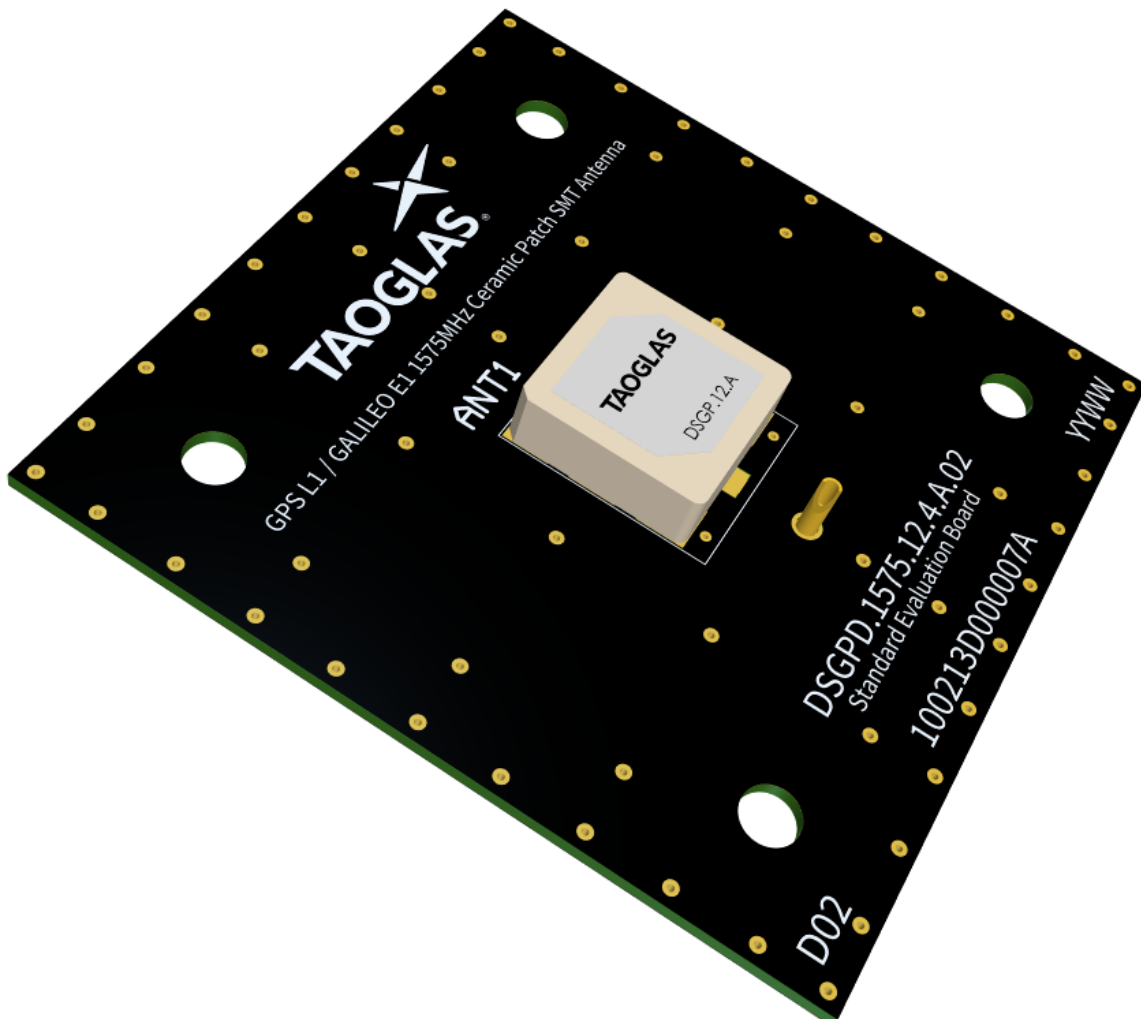


BOTTOM VIEW



MODEL VIEW

## 6. Antenna Integration Guide

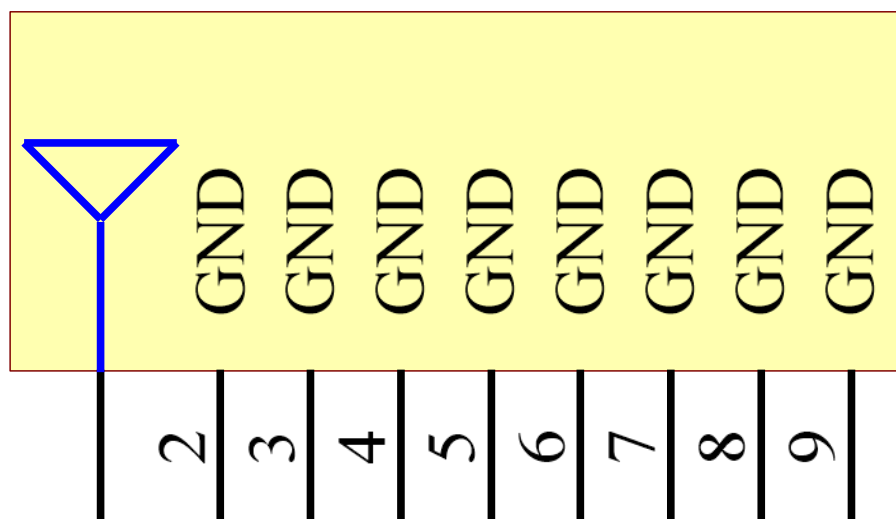


## 6.1 Schematic Symbol and Pin Definition

The circuit symbol for the antenna is shown below. The antenna has 9 pins as indicated below.

Pin	Description
1	RF Feed
2, 3, 4, 5, 6, 7, 8, 9	Ground

DSGP.1575.12.4.A.02  
ANT1



## 6.2 Antenna Integration

The antenna should be placed at the center of the ground plane with a length and width of 50mm. Maintaining a square symmetric ground plane shape and symmetric environment around the antenna is critical to maintaining the excellent axial ratio and phase center performance shown in this datasheet.



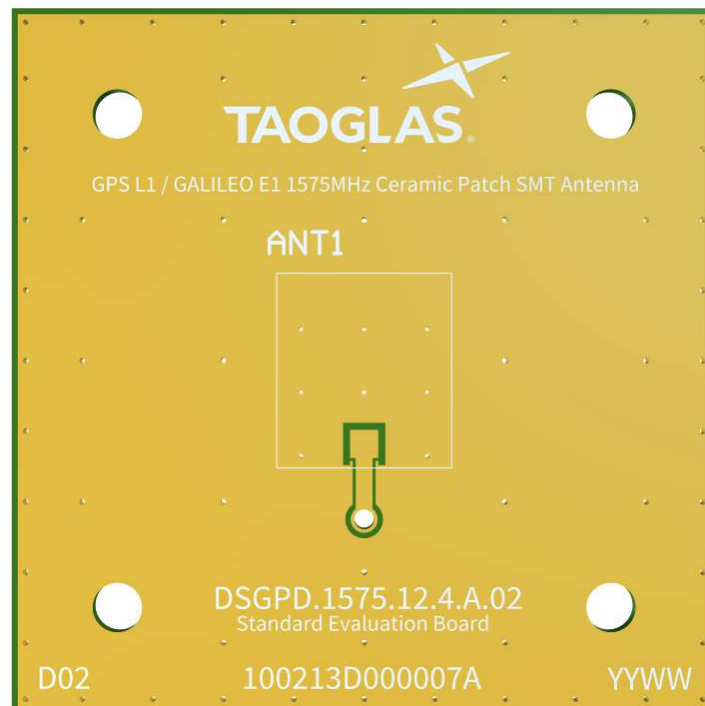
Top Side w/ Solder Mask



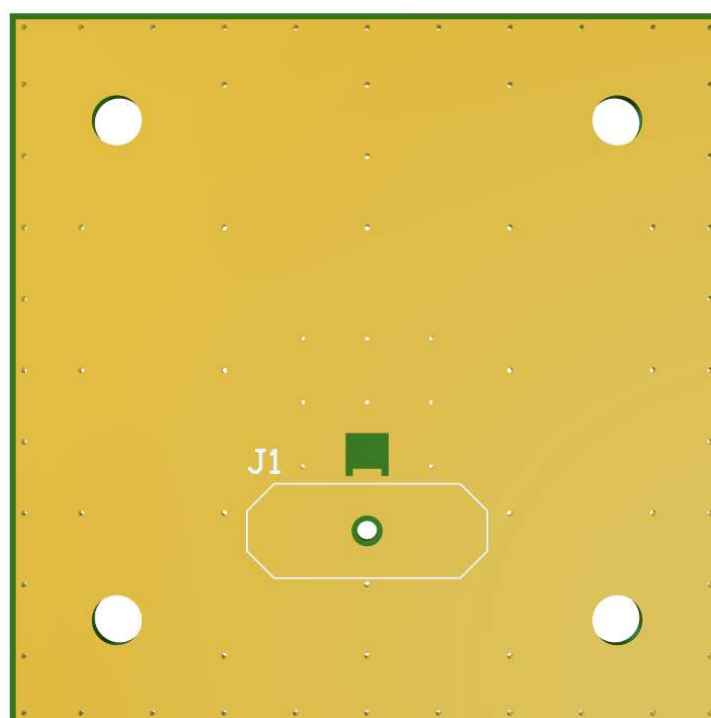
Top Side w/o Solder Mask

## 6.3 PCB Layout

The footprint and clearance on the PCB must comply with the antenna specification. The PCB layout shown in the diagram below demonstrates the antenna footprint.

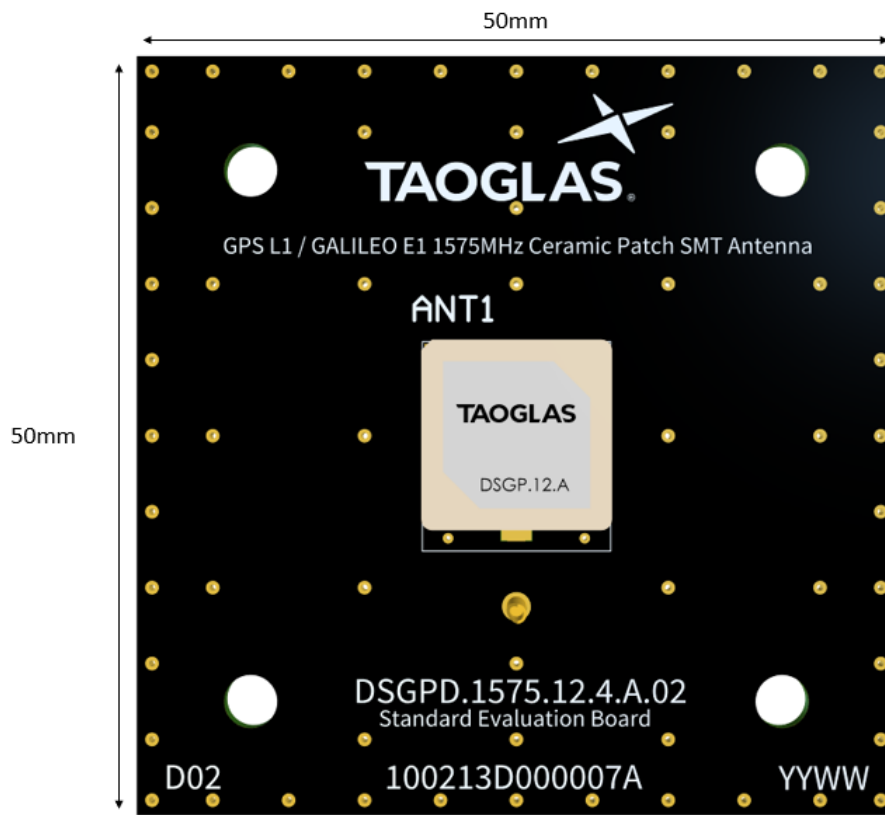


Topside

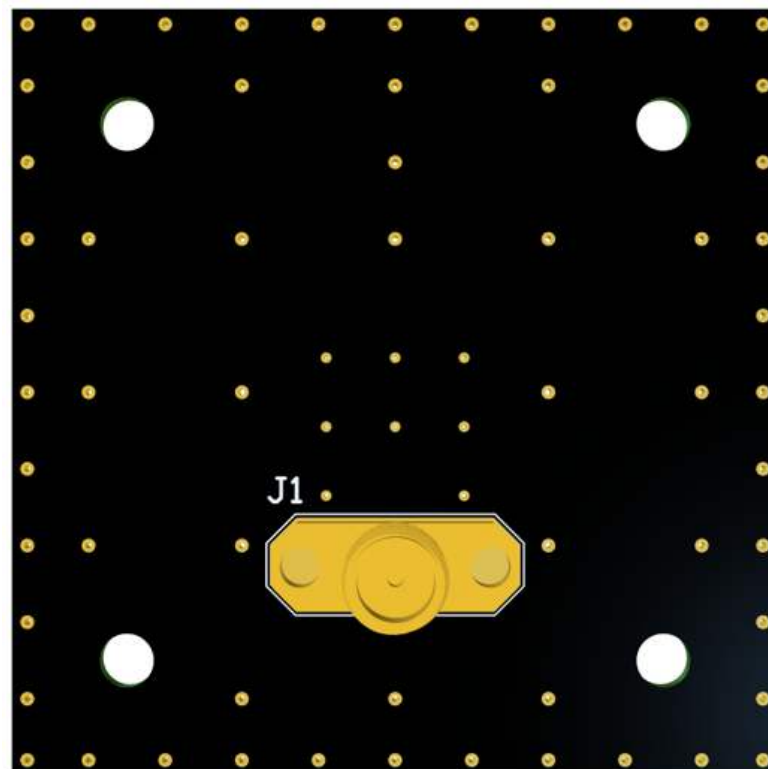


Bottom Side

6.4 Evaluation Board



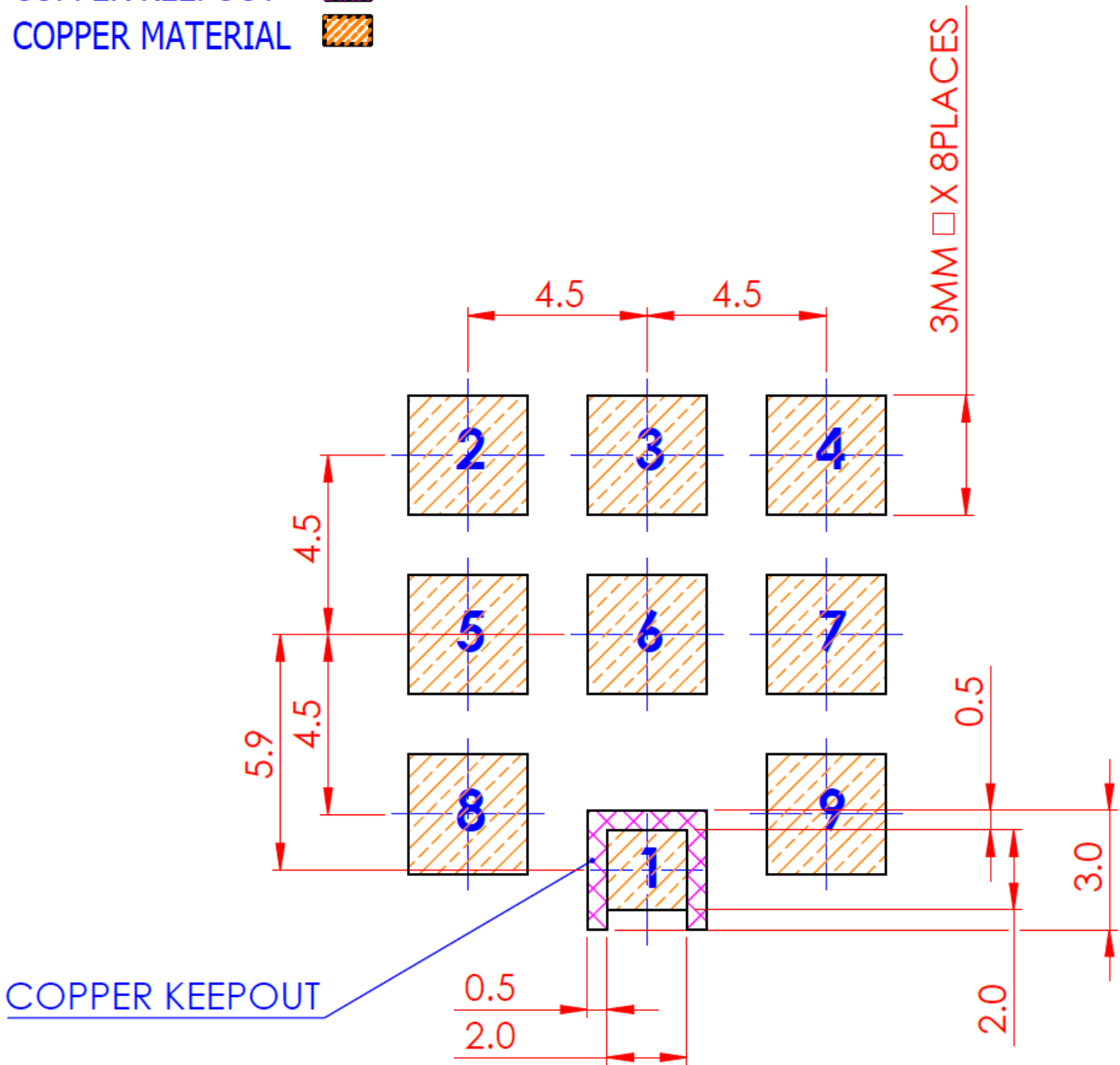
Topside



Bottom Side

6.5 Footprint

COPPER KEEPOUT   
 COPPER MATERIAL 

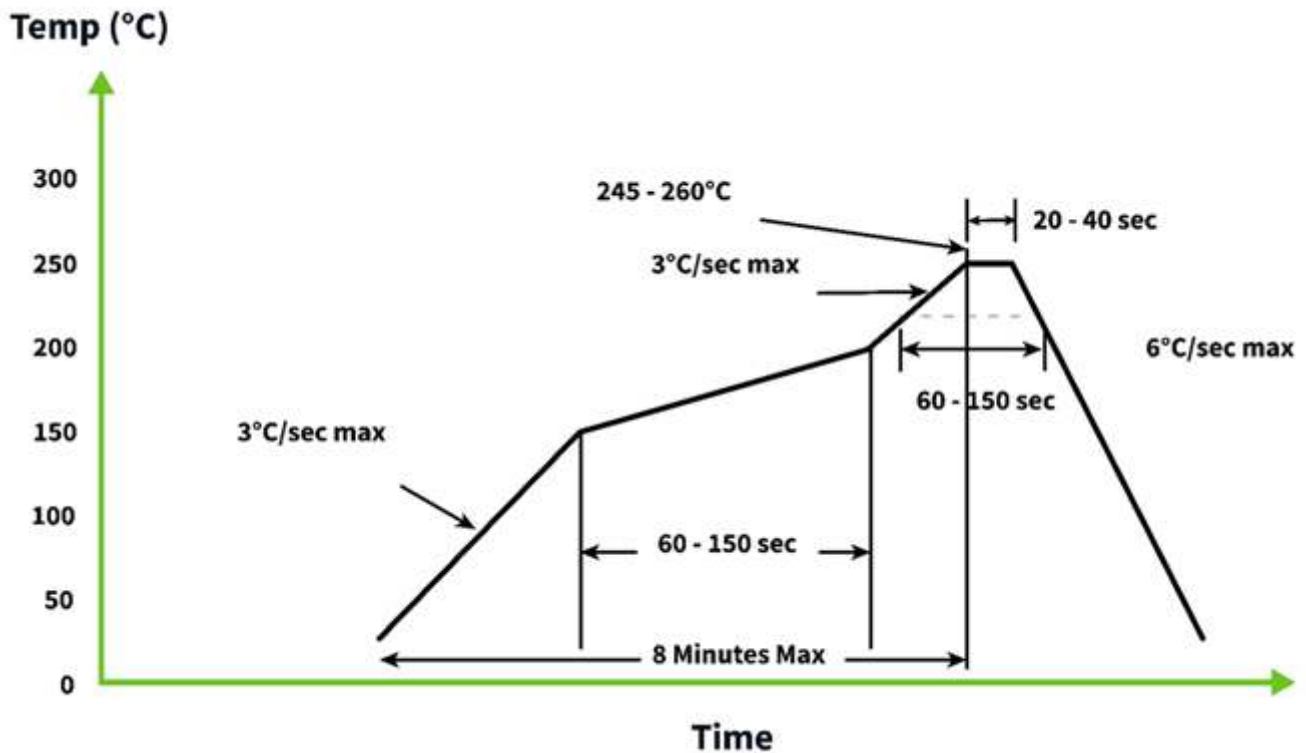


PCB FOOTPRINT

PIN	DESCRIPTION
1	FEED
2-9	GROUND

## 7. Solder Reflow Profile

The DSGP.1575.12.4.A.02 can be assembled by following the recommended soldering temperatures are as follows:



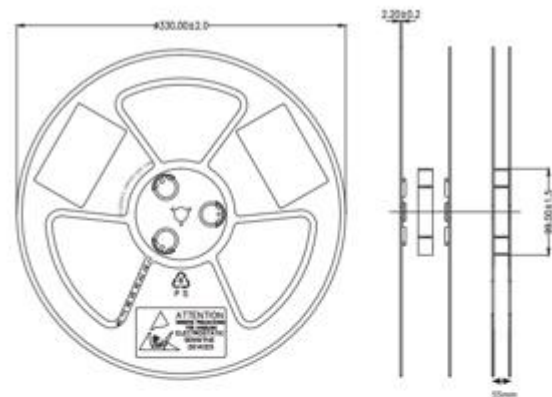
\*Temperatures listed within a tolerance of +/- 10° C

The antenna is not limited to the number of passes through the reflow process. Smaller components are typically mounted on the first pass, however, we do advise mounting the when placing larger components on the board during subsequent reflows

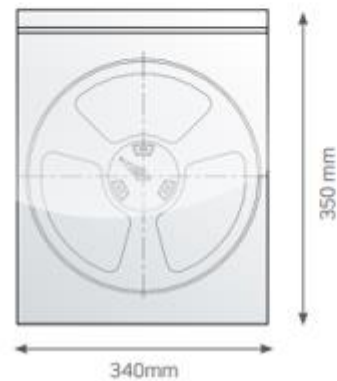


## 8. Packaging

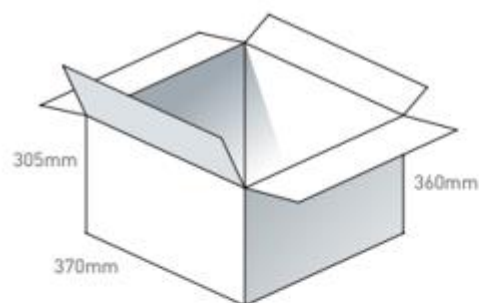
500 pc DSGP.1575.12.4.A.02 per reel  
 Dimensions - Ø330\*55mm  
 Weight - 2300Kg



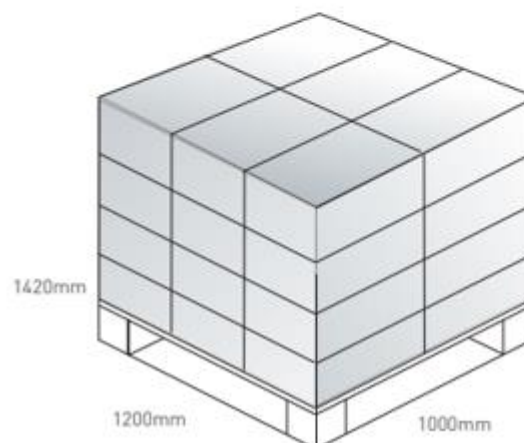
1 pc reel in small in Anti-static Bag  
 Dimensions - 340\*350\*55mm  
 Weight - 2400Kg



4 Reels / 2000 pcs in one carton  
 Carton Dimensions - 370\*360\*305mm  
 Weight - 10.5Kg



Pallet Dimensions 1200\*1000\*1420mm  
 24 Cartons per Pallet  
 6 Cartons per layer  
 4 Layers



Changelog for the datasheet

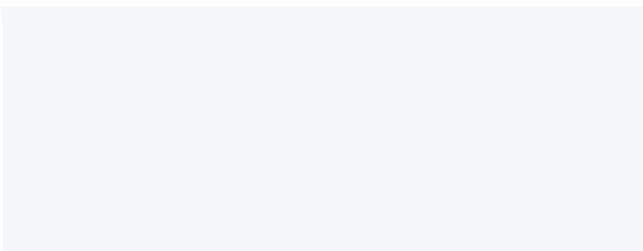
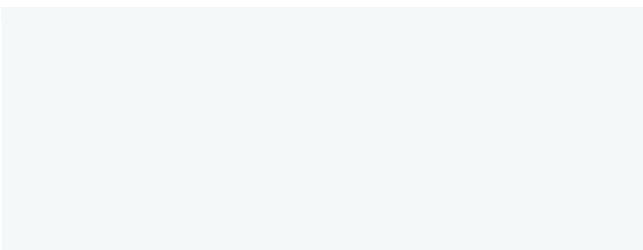
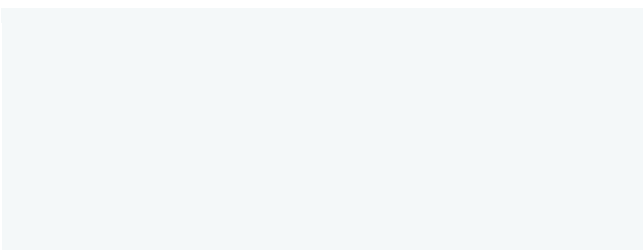
**SPE-17-8-028 – DSGP.1575.12.4.A.02**

<b>Revision: C (Current Version)</b>	
Date:	2023-08-10
Changes:	Full datasheet update
Changes Made by:	Gary West

**Previous Revisions**

<b>Revision: B</b>	
Date:	2023-03-23
Changes:	Antenna Integration Guide Added
Changes Made by:	Cesar Sousa

<b>Revision: A (Original First Release)</b>	
Date:	2018-05-17
Notes:	
Author:	Technical Writer





[www.taoglas.com](http://www.taoglas.com)

