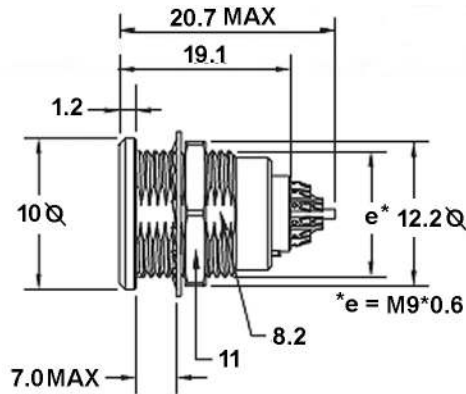


FSG.0B.305.CLL

PUSH-PULL FXIED SOCKET RECEPTACLE

5 CONTACTS, SOLDER



CONTACT INFO		DIA mm
MALE	FEMALE	
		0.7

KEY SPECIFICATIONS	
CONNECTOR SERIES	FSG
CONNECTOR SIZE	0B
CONNECTOR GENDER	FEMALE
CODING	G
LOCKING STYLE	SELF LOCKING
ATTACHMENT METHOD	SOLDER
IP RATING	IP 50
STANDARD MATE SERIES	PSG

GENERAL SPECIFICATIONS	
TEMPERATURE RANGE	-55 DEG C - +200 DEG C
INSULATOR MATERIAL	PEEK
SOLDER CONTACT MATERIAL	COPPER ALLOY, GOLD PLATED
CONNECTOR BODY MATERIAL	BRASS, NICKEL PLATED
COUPLING NUT, SCREW	BRASS, CHROME PLATED
INSULATION RESISTANCE	EQUAL OR GREATER THAN 100 M-OHMS