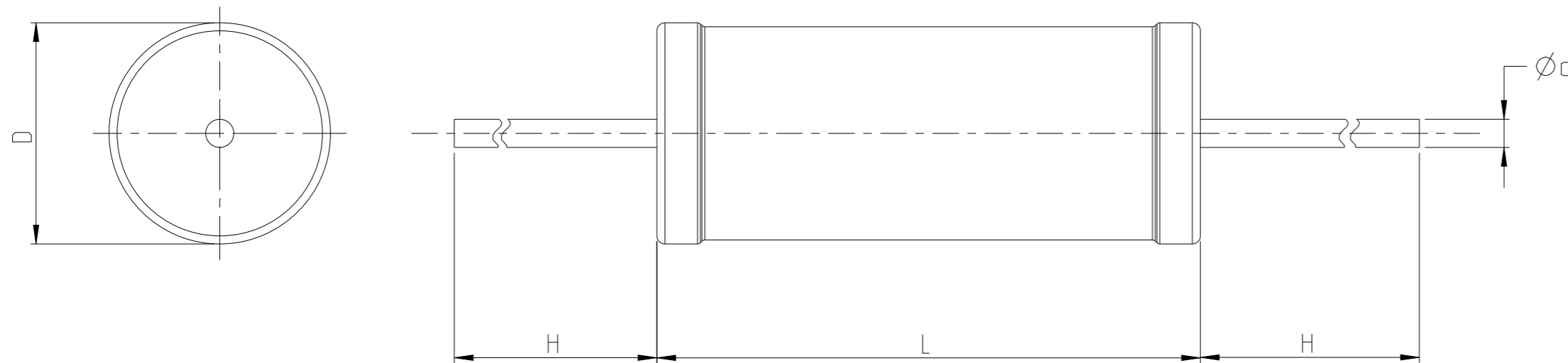


REVISIONS

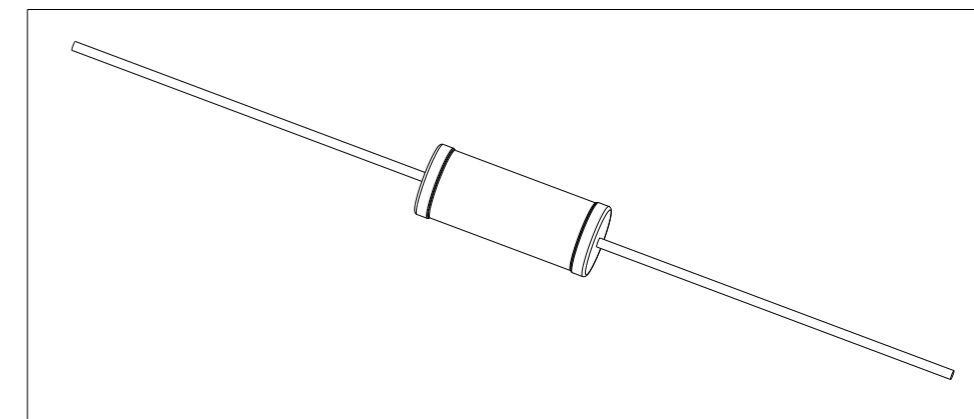
P	LTR	DESCRIPTION	DATE	DWN	APVD
	BA	NEW DRAWING	21MAR2023	DM	AP
	BA1	CLARIFICATION TO DIMENSION	07JUL2023	DM	AP


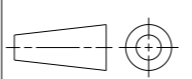
FOR FUTHER INFORMATION SEE DATA SHEET FOR WIREWOUND ANTI-SURGE RESISTOR TYPE EP SERIES



BA1 BA1

TYPE	POWER RATING	D ± 1 (mm)	L ± 1 (mm)	d ± 0.05 (mm)	H ± 3 (mm)
EP3W SS	3W -SS	5.5	13.5	0.7	28



THIS DRAWING IS A CONTROLLED DOCUMENT.		DWN DHEERAJ M 21MAR2023	 TE Connectivity		
DIMENSIONS: mm		CHK ALLAN P 21MAR2023			
TOLERANCES UNLESS OTHERWISE SPECIFIED:		APVD ALLAN P 21MAR2023	NAME WIREWOUND ANTI-SURGE RESISTOR TYPE EP 3W SS SERIES		
		PRODUCT SPEC -	APPLICATION SPEC -		
MATERIAL -		FINISH -	WEIGHT -	SIZE A3	CAGE CODE 00779
				DRAWING NO C=2176612	RESTRICTED TO -
CUSTOMER DRAWING			SCALE 1:1	SHEET 1 OF 3	REV BA1

REVISIONS

P	LTR	DESCRIPTION	DATE	DWN	APVD
	-	SEE SHEET 1	-	-	-

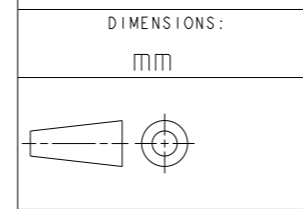
SCHEDULE

TCPN	CATALOGUE NUMBER	PART DESCRIPTION	PART STATUS
2176612-1	EP3W SS1R0J	EP 3W (SS) 1R0 5%	PRODUCTION
2176612-2	EP3W SS1R1J	EP 3W (SS) 1R1 5%	PRODUCTION
2176612-3	EP3W SS1R2J	EP 3W (SS) 1R2 5%	PRODUCTION
2176612-4	EP3W SS1R3J	EP 3W (SS) 1R3 5%	PRODUCTION
2176612-5	EP3W SS1R5J	EP 3W (SS) 1R5 5%	PRODUCTION
2176612-6	EP3W SS1R6J	EP 3W (SS) 1R6 5%	PRODUCTION
2176612-7	EP3W SS1R8J	EP 3W (SS) 1R8 5%	PRODUCTION
2176612-8	EP3W SS2R0J	EP 3W (SS) 2R0 5%	PRODUCTION
2176612-9	EP3W SS2R2J	EP 3W (SS) 2R2 5%	PRODUCTION
1-2176612-0	EP3W SS2R4J	EP 3W (SS) 2R4 5%	PRODUCTION
1-2176612-1	EP3W SS2R7J	EP 3W (SS) 2R7 5%	PRODUCTION
1-2176612-2	EP3W SS3R0J	EP 3W (SS) 3R0 5%	PRODUCTION
1-2176612-3	EP3W SS3R3J	EP 3W (SS) 3R3 5%	PRODUCTION
1-2176612-4	EP3W SS3R6J	EP 3W (SS) 3R6 5%	PRODUCTION
1-2176612-5	EP3W SS3R9J	EP 3W (SS) 3R9 5%	PRODUCTION
1-2176612-6	EP3W SS4R3J	EP 3W (SS) 4R3 5%	PRODUCTION
1-2176612-7	EP3W SS4R7J	EP 3W (SS) 4R7 5%	PRODUCTION
1-2176612-8	EP3W SS5R1J	EP 3W (SS) 5R1 5%	PRODUCTION
1-2176612-9	EP3W SS5R6J	EP 3W (SS) 5R6 5%	PRODUCTION
2-2176612-0	EP3W SS6R2J	EP 3W (SS) 6R2 5%	PRODUCTION
2-2176612-1	EP3W SS6R8J	EP 3W (SS) 6R8 5%	PRODUCTION
2-2176612-2	EP3W SS7R5J	EP 3W (SS) 7R5 5%	PRODUCTION
2-2176612-3	EP3W SS8R2J	EP 3W (SS) 8R2 5%	PRODUCTION
2-2176612-4	EP3W SS9R1J	EP 3W (SS) 9R1 5%	PRODUCTION
2-2176612-5	EP3W SS10RJ	EP 3W (SS) 10R 5%	PRODUCTION
2-2176612-6	EP3W SS11RJ	EP 3W (SS) 11R 5%	PRODUCTION
2-2176612-7	EP3W SS12RJ	EP 3W (SS) 12R 5%	PRODUCTION
2-2176612-8	EP3W SS13RJ	EP 3W (SS) 13R 5%	PRODUCTION
2-2176612-9	EP3W SS15RJ	EP 3W (SS) 15R 5%	PRODUCTION
3-2176612-0	EP3W SS16RJ	EP 3W (SS) 16R 5%	PRODUCTION

SCHEDULE

TCPN	CATALOGUE NUMBER	PART DESCRIPTION	PART STATUS
3-2176612-1	EP3W SS18RJ	EP 3W (SS) 18R 5%	PRODUCTION
3-2176612-2	EP3W SS20RJ	EP 3W (SS) 20R 5%	PRODUCTION
3-2176612-3	EP3W SS22RJ	EP 3W (SS) 22R 5%	PRODUCTION
3-2176612-4	EP3W SS24RJ	EP 3W (SS) 24R 5%	PRODUCTION
3-2176612-5	EP3W SS27RJ	EP 3W (SS) 27R 5%	PRODUCTION
3-2176612-6	EP3W SS30RJ	EP 3W (SS) 30R 5%	PRODUCTION
3-2176612-7	EP3W SS33RJ	EP 3W (SS) 33R 5%	PRODUCTION
3-2176612-8	EP3W SS36RJ	EP 3W (SS) 36R 5%	PRODUCTION
3-2176612-9	EP3W SS39RJ	EP 3W (SS) 39R 5%	PRODUCTION
4-2176612-0	EP3W SS43RJ	EP 3W (SS) 43R 5%	PRODUCTION
4-2176612-1	EP3W SS47RJ	EP 3W (SS) 47R 5%	PRODUCTION
4-2176612-2	EP3W SS51RJ	EP 3W (SS) 51R 5%	PRODUCTION
4-2176612-3	EP3W SS56RJ	EP 3W (SS) 56R 5%	PRODUCTION
4-2176612-4	EP3W SS62RJ	EP 3W (SS) 62R 5%	PRODUCTION
4-2176612-5	EP3W SS68RJ	EP 3W (SS) 68R 5%	PRODUCTION
4-2176612-6	EP3W SS75RJ	EP 3W (SS) 75R 5%	PRODUCTION
4-2176612-7	EP3W SS82RJ	EP 3W (SS) 82R 5%	PRODUCTION
4-2176612-8	EP3W SS91RJ	EP 3W (SS) 91R 5%	PRODUCTION
4-2176612-9	EP3W SS100RJ	EP 3W (SS) 100R 5%	PRODUCTION
5-2176612-0	EP3W SS110RJ	EP 3W (SS) 110R 5%	PRODUCTION
5-2176612-1	EP3W SS120RJ	EP 3W (SS) 120R 5%	PRODUCTION
5-2176612-2	EP3W SS130RJ	EP 3W (SS) 130R 5%	PRODUCTION
5-2176612-3	EP3W SS150RJ	EP 3W (SS) 150R 5%	PRODUCTION
5-2176612-4	EP3W SS160RJ	EP 3W (SS) 160R 5%	PRODUCTION
5-2176612-5	EP3W SS180RJ	EP 3W (SS) 180R 5%	PRODUCTION
5-2176612-6	EP3W SS200RJ	EP 3W (SS) 200R 5%	PRODUCTION
5-2176612-7	EP3W SS220RJ	EP 3W (SS) 220R 5%	PRODUCTION
5-2176612-8	EP3W SS240RJ	EP 3W (SS) 240R 5%	PRODUCTION
5-2176612-9	EP3W SS270RJ	EP 3W (SS) 270R 5%	PRODUCTION
6-2176612-0	EP3W SS300RJ	EP 3W (SS) 300R 5%	PRODUCTION

THIS DRAWING IS A CONTROLLED DOCUMENT.



MATERIAL -

DIMENSIONS:		TOLERANCES UNLESS OTHERWISE SPECIFIED:	
mm		0 PLC	±
		1 PLC	±
		2 PLC	±
		3 PLC	±
		4 PLC	±
		ANGLES	±1°
FINISH		-	-

DWN	DHEERAJ M	21MAR2023
CHK	ALLAN P	21MAR2023
APVD	ALLAN P	21MAR2023
PRODUCT SPEC	-	-
APPLICATION SPEC	-	-
WEIGHT	-	-

TE TE Connectivity

NAME: WIREWOUND ANTI-SURGE RESISTOR
TYPE EP 3W SS SERIES


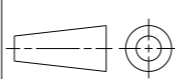
SIZE	CAGE CODE	DRAWING NO	RESTRICTED TO
A3	00779	©-2176612	-

REVISIONS

P	LTR	DESCRIPTION	DATE	DWN	APVD
-		SEE SHEET 1	-	-	-

SCHEDULE

TCPN	CATALOGUE NUMBER	PART DESCRIPTION	PART STATUS
6-2176612-1	EP3W SS330RJ	EP 3W (SS) 330R 5%	PRODUCTION
6-2176612-2	EP3W SS360RJ	EP 3W (SS) 360R 5%	PRODUCTION
6-2176612-3	EP3W SS390RJ	EP 3W (SS) 390R 5%	PRODUCTION
6-2176612-4	EP3W SS430RJ	EP 3W (SS) 430R 5%	PRODUCTION
6-2176612-5	EP3W SS470RJ	EP 3W (SS) 470R 5%	PRODUCTION
6-2176612-6	EP3W SS510RJ	EP 3W (SS) 510R 5%	PRODUCTION
6-2176612-7	EP3W SS560RJ	EP 3W (SS) 560R 5%	PRODUCTION
6-2176612-8	EP3W SS620RJ	EP 3W (SS) 620R 5%	PRODUCTION
6-2176612-9	EP3W SS680RJ	EP 3W (SS) 680R 5%	PRODUCTION
7-2176612-0	EP3W SS750RJ	EP 3W (SS) 750R 5%	PRODUCTION
7-2176612-1	EP3W SS820RJ	EP 3W (SS) 820R 5%	PRODUCTION
7-2176612-2	EP3W SS910RJ	EP 3W (SS) 910R 5%	PRODUCTION
7-2176612-3	EP3W SS1K0J	EP 3W (SS) 1K0 5%	PRODUCTION
7-2176612-4	EP3W SS1K1J	EP 3W (SS) 1K1 5%	PRODUCTION
7-2176612-5	EP3W SS1K2J	EP 3W (SS) 1K2 5%	PRODUCTION
7-2176612-6	EP3W SS1K3J	EP 3W (SS) 1K3 5%	PRODUCTION
7-2176612-7	EP3W SS1K5J	EP 3W (SS) 1K5 5%	PRODUCTION
7-2176612-8	EP3W SS1K6J	EP 3W (SS) 1K6 5%	PRODUCTION
7-2176612-9	EP3W SS1K8J	EP 3W (SS) 1K8 5%	PRODUCTION
8-2176612-0	EP3W SS2K0J	EP 3W (SS) 2K0 5%	PRODUCTION
8-2176612-1	EP3W SS2K2J	EP 3W (SS) 2K2 5%	PRODUCTION

THIS DRAWING IS A CONTROLLED DOCUMENT.		DWN DHEERAJ M 21MAR2023	 TE Connectivity	
DIMENSIONS: mm		CHK ALLAN P 21MAR2023		
		APVD ALLAN P 21MAR2023		
TOLERANCES UNLESS OTHERWISE SPECIFIED:		PRODUCT SPEC	NAME WIREWOUND ANTI-SURGE RESISTOR TYPE EP 3W SS SERIES	
0 PLC ±		APPLICATION SPEC	SIZE	RESTRICTED TO
1 PLC ±			CAGE CODE	
2 PLC ±			DRAWING NO	
3 PLC ±			SCALE	
4 PLC ±			SHEET	
ANGLES ±°		WEIGHT	OF	
FINISH			3	
-			3	
		CUSTOMER DRAWING	REV	
			1:1	
			BA1	