

Ratings

Voltage: 150 V
Temperature: -40~70 °C

Conductor

Conductor count: 8
Gauge: 30 AWG 0.05 mm²
Material: Tinned copper strands
Strand size: $\varnothing 0.05 \times 25$
Resistance at 20 °C: 385 Ω /km Max

Insulator

Material: HDPE
Color: red, black, white, yellow, blue, green, orange, purple
Diameter: $\varnothing 0.65 \pm 0.10$ mm
Nominal thickness: 0.18 mm
Resistance at 20 °C: 100 M Ω /km Min

Wrap

Material: cotton paper

Filler

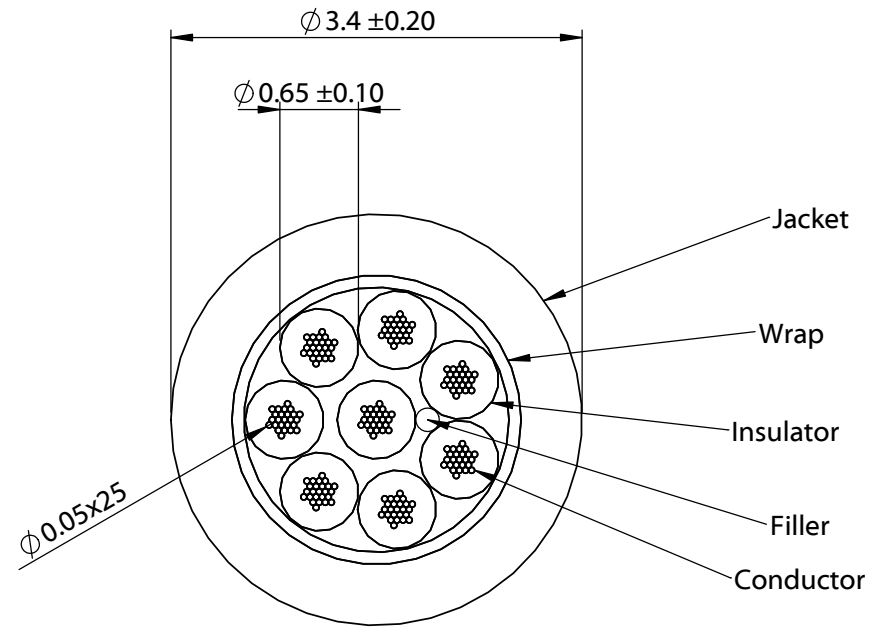
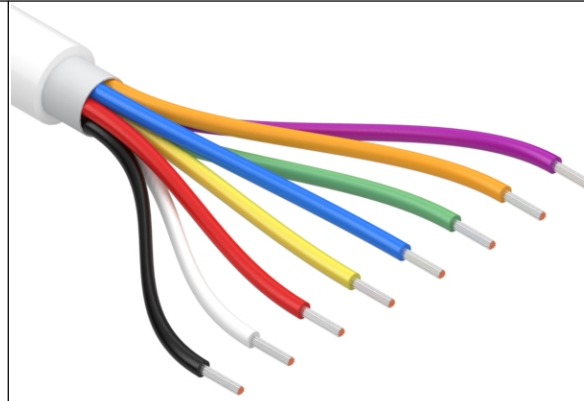
Material: aramid fiber

Outer jacket

Material: TPU
Color: white
Diameter: $\varnothing 3.4 \pm 0.20$ mm
Nominal thickness: 0.5 mm

Tests

Tensile strength: 15 kgf min
Dielectric test: 1500 V dc for 1 minute without breakdown
Bend test at 200 g, $\pm 60^\circ$, 30 cycles /min: 15,000 cycle minimum



Revision:	Date:	Description:
A	9/12/2022	Initial release

Prepared: **MP**
Digitally signed by MP
Date: 2022.09.16
09:39:17 -0700

Verified: **PB**
Digitally signed by PB
Date: 2022.09.22
12:04:32 -0700

Dimensions are in millimeters.
Tolerances:
X: ± 0.5 mm
X.X: ± 0.3 mm
X.XX: ± 0.05 mm

Notes:
RoHS compliant
Jacket meets ISO 10993 Biological Compatibility
Phthalate and halogen free
Function test: no open, no short, no intermittent

Description:
Wire, 8C TS, 30 AWG, 150V, 70C, 3.4 mm, TPU, 75A, white, WBL

TENSILITY

tel 1.541.323.3228 800 877.670.7118
fax 1.541.323.4202 web tensility.com

Size: A Part number: 30-02828

Scale: 16:1 Sheet 1 of 1

4 3 2 1

To see a custom version of this cable assembly, call Tensility at 541-323-3228 or email engineering@tensility.com