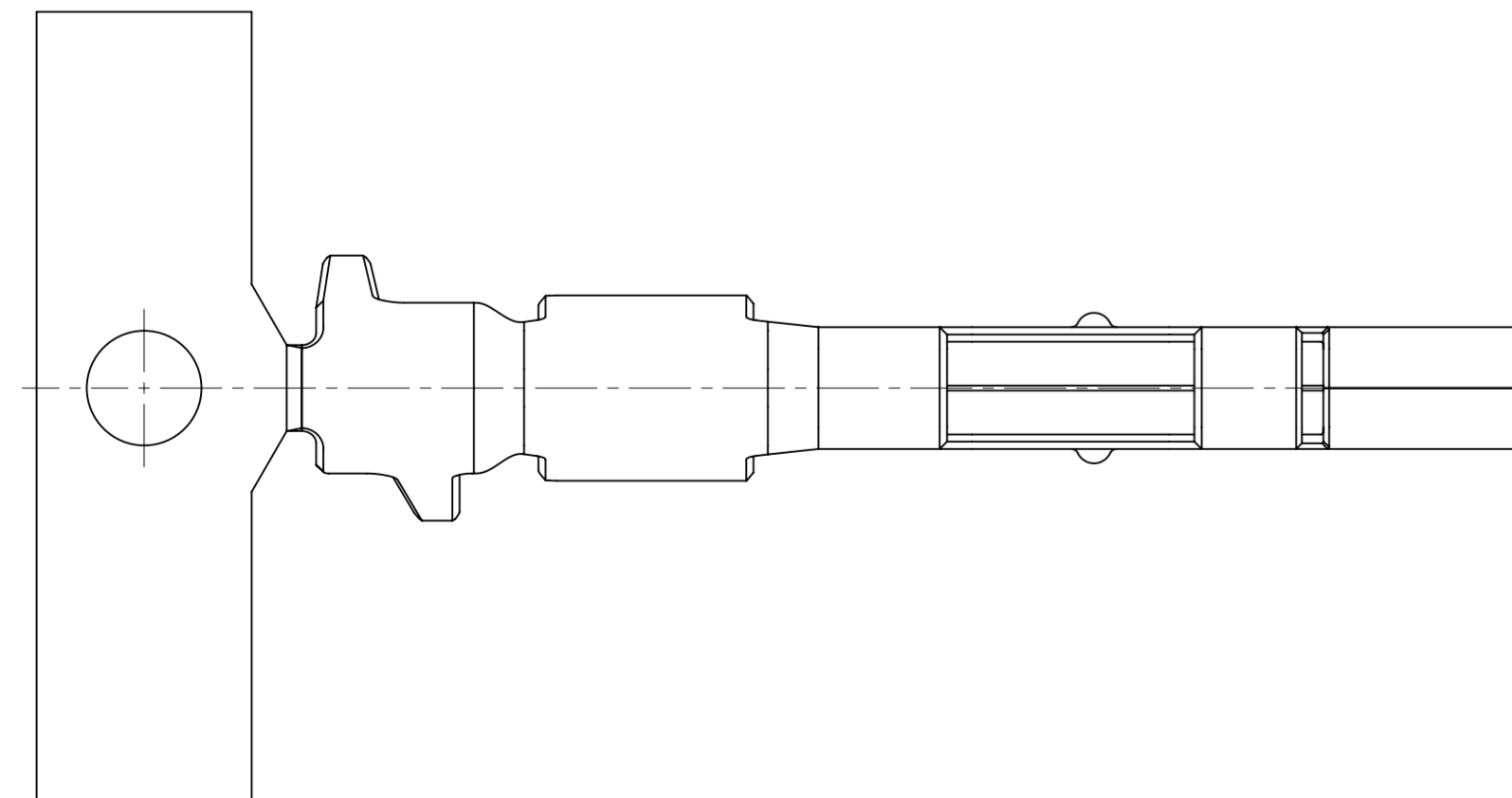
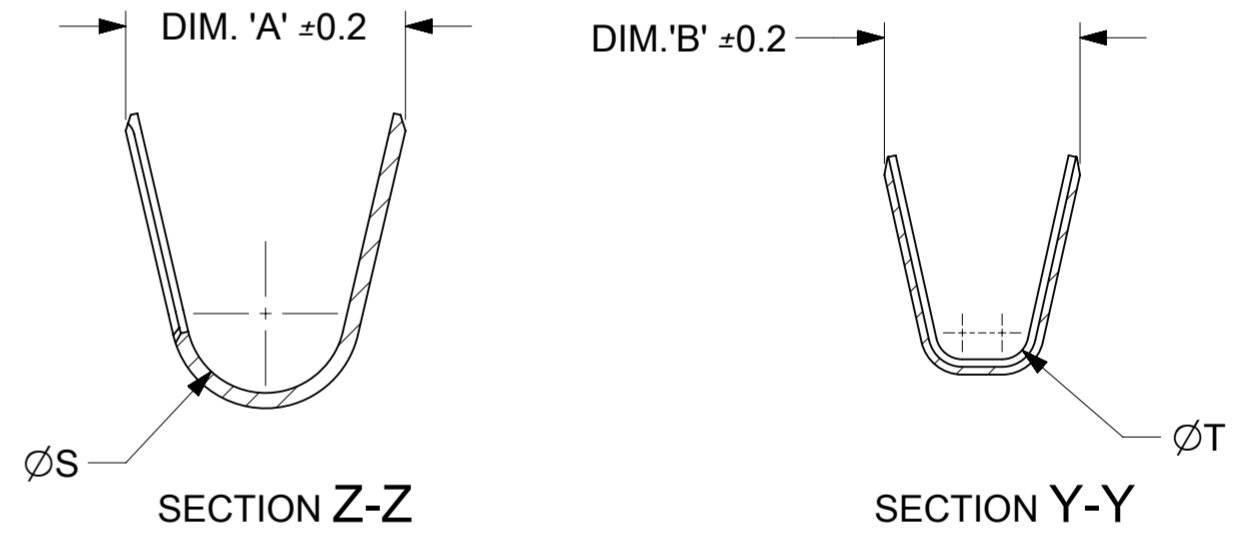
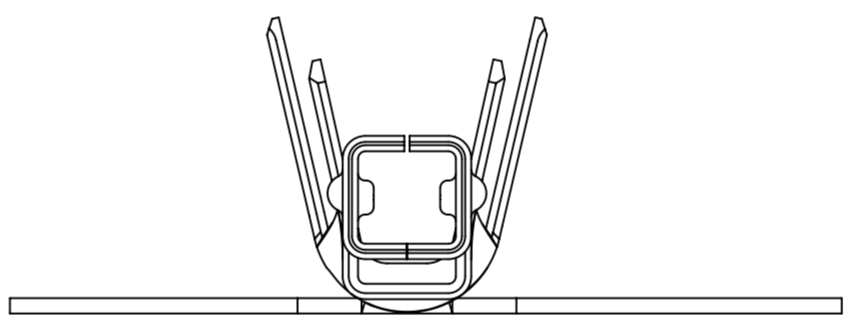
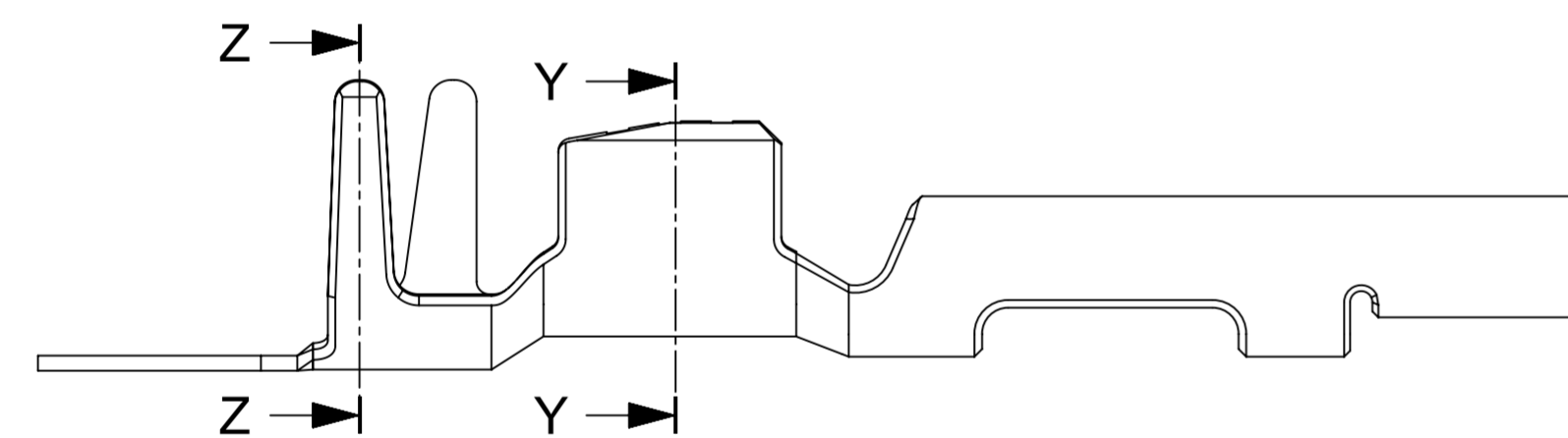


- NOTES:
1. MATERIAL: COPPER ALLOY
 2. PLATING: 100µin MIN. OVERALL MATTE TIN OVER
50µin MIN. OVERALL MATTE NICKEL.
 3. PRODUCT SPECIFICATION: 2077760000-PS
 4. APPLICATION SPECIFICATION: 207776000-AS
 5. PACKAGING SPEC: REEL PACK PER: 2077770000-PK
 6. THIS CRIMP TERMINAL TO BE USED WITH ASSEMBLY SERIES 207782
 7. THIS CRIMP TERMINAL MATES WITH PLUG CRIMP TERMINAL SERIES,
 - a. 2077770001 MATES WITH 2077760001
 - b. 2077770002 MATES WITH 2077760002
 8. THIS PART CONFORMS TO CLASS 'B' REQUIREMENTS OF COSMETIC SPEC PS-45499-002
 9. WIRE SPECIFICATION: SEE CHART
 10. CRIMP TOOLING:
APPLICATOR PART NUMBER: REFER 2077760000-AS
HAND TOOL PART NUMBER: REFER 2077760000-AS



TERMINAL PART NO.	WIRE AWG	INSULATION DIA	A	B	S	T
2077770001	16AWG	1.9 - 2.4	3.7	2.6	2.1	0.7
2077770002	18-20AWG	1.46 - 2.1	2.7	2.0	1.6	0.6

THIS DRAWING CONTAINS INFORMATION THAT IS PROPRIETARY TO MOLEX ELECTRONIC TECHNOLOGIES, LLC AND SHOULD NOT BE USED WITHOUT WRITTEN PERMISSION

DIMENSION UNITS	SCALE	CURRENT REV DESC:		molex			
mm	10:1						
GENERAL TOLERANCES (UNLESS SPECIFIED)				RECEPTACLE CRIMP TERMINAL SQUBA 3.6			
ANGULAR TOL	±	°					
4 PLACES	±			PRODUCT CUSTOMER DRAWING			
3 PLACES	±						
2 PLACES	±			DOCUMENT NUMBER			
1 PLACE	±	0.2					
0 PLACES	±			2077770000-SD			
DRAFT WHERE APPLICABLE MUST REMAIN WITHIN DIMENSIONS							
				SERIES		MATERIAL NUMBER	
				A2-SIZE		CUSTOMER	
				207777		GENERAL MARKET	
				SEE TABLE		SHEET NUMBER	
						1 OF 1	