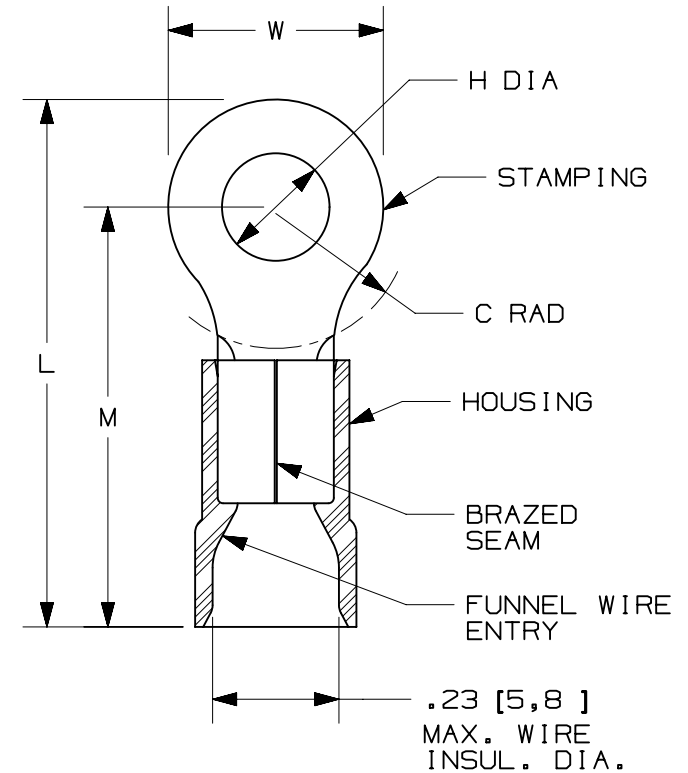


THIS COPY IS PROVIDED ON A RESTRICTED BASIS AND IS NOT TO BE USED IN ANY WAY DETRIMENTAL TO THE INTERESTS OF PANDUIT CORP.

PANDUIT PART #	STUD SIZE		DIMENSIONS in. [mm]				
	ENGLISH	METRIC	L ± .03 [0,8]	W ± .01 [0,3]	C ± .02 [0,5]	M ± .03 [0,8]	H ± .01 [0,3]
PMV6-3R *	--	M3	1.02 [26,0]	.23 [5,8]	.31 [7,8]	.89 [22,61]	.13 [3,3]
PV10-6R	#6	M3,5	1.05 [26,7]	.31 [7,9]	.31 [7,9]	.89 [22,6]	.15 [3,8]
PV10-8R	#8	M4	1.05 [26,7]	.31 [7,9]	.31 [7,9]	.89 [22,6]	.17 [4,3]
PV10-10R	#10	--	1.05 [26,7]	.31 [7,9]	.31 [7,9]	.89 [22,6]	.20 [5,1]
PMV6-5R *	--	M5	1.07 [27,1]	.37 [9,5]	.31 [7,8]	.89 [22,61]	.21 [5,3]
PV10-14R	1/4"	M6	1.23 [31,2]	.52 [13,2]	.38 [9,7]	.97 [24,6]	.27 [6,9]
PV10-56R	5/16"	M8	1.23 [31,2]	.52 [13,2]	.38 [9,7]	.97 [24,6]	.33 [8,4]
PV10-38R	3/8"	--	1.31 [33,3]	.58 [14,7]	.41 [10,4]	1.02 [25,9]	.39 [9,9]
PV10-12R	1/2"	--	1.46 [37,1]	.72 [18,3]	.53 [13,5]	1.10 [27,9]	.52 [13,2]



* NOT UL LISTED

NOTES:

- USED FOR:
 - A. #12-10 AWG [4,0-6,0 mm²] STRANDED COPPER WIRE
 - B. 221°F [105°C] MAX. OPERATING TEMPERATURE
 - C. 600V. MAX. BLDG WIRE (1000 V. MAX. IN SIGNS, FIXTURES & LUMINAIRES)
- INSTALLATION TOOLS PANDUIT APPROVED:
 - A. UL APPROVED: CT-100A, CT-600-A (CT-550CH) CT-1550, CT-1551, CT-2500 (CT-2550CH)
 - B. PANDUIT APPROVED: CT-160, CT-260, CT-460
- WIRE STRIP LENGTH: 5/16 ^{+1/32} [7,9 ^{+0,8}]
- MATERIAL:
 - A. STAMPING: .04" [1,0] THK COPPER, TIN PLATED
 - B. HOUSING: VINYL, YELLOW
- SEE www.panduit.com FOR PACKAGE QUANTITIES INDICATED BY PART NUMBER SUFFIX
- DIMENSIONS IN BRACKETS ARE METRIC EQUIVALENT



LISTED
587H
E52164



CERTIFIED
LR31212

TITLE		RING TERMINALS, 2-PC VINYL INSULATED, #12-10	
CUSTOMER DRAWING			
ITEM REVISION NAME	N41187BA/09		
DATASET FILE NAME	N41187BA_DC/09A		
UNLESS OTHERWISE SPECIFIED, DIMENSIONAL TOLERANCES ARE: IN [mm]		MATERIAL:	
.x ± .1 [2.54]	.xxx ± .005 [.13]	SEE NOTES	
.xx ± .01 [.25]	ANGLES ± 5°	DRAWING NUMBER:	
THIRD ANGLE PROJECTION		A41187	
DRAWN BY	DATE	CHK	SCALE
FES	-	LCA	N.T.S.
SHEET 1 OF 1		A	

REV	DATE	BY	CHK	APR	DESCRIPTION	ECN
09	04/23/20	HPR	CLN	JADE	REV NUMBER CORRECTED FROM 7 TO 8	078745
08	06.07.12	BDK	LCA	VMB	REVISED PACKAGING NOTE. REVISED "USED FOR" NOTE. REMOVED PACKAGING CODE FROM CHART. ADDED PMV6-3R AND PMV6-5R TO CHART. ADDED INSTALLATION TOOL NOTE.	A41187