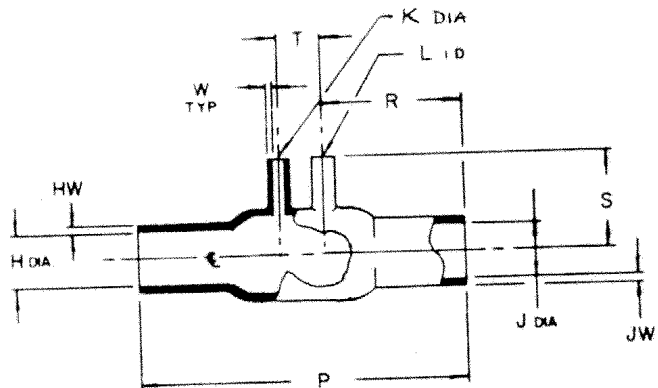


REVISIONS		
LTR	DESCRIPTION	DATE



PART AFTER UNRESTRICTED RECOVERY

NOTES:

- All dimensions are in inches.
- Dimensions appearing in table are as follows:
  - a - As supplied
  - b - After unrestricted recovery

TABLE OF DIMENSIONS:

H & J		K & L		P	R	S	T	HW & JW	W
Min	Max	Min	Max	±10%	±10%	±10%	±10%	±20%	±20%
a	b	a	b	b	b	b	b	b	b
1.00	.60	.50	.20	3.62	1.56	1.06	.50	.08	.05

ORDERING INFORMATION:

Base part number 422A813 -25 -02

Material dash number \_\_\_\_\_

-4 Polyolefin, flexible (RT-1304)

-5 Neoprene (RT-501)

-25 Elastomer, fluid resistant (RT-1325)

Modification dash number \_\_\_\_\_

If this document is printed it becomes uncontrolled.  
Check for the latest revision.

SPECIFICATION CONTROL DRAWING (LIMITED DISTRIBUTION)

DRAWN	<i>Rev 5-4-81</i>	<b>Raychem</b>		RAYCHEM CORPORATION 300 CONSTITUTION DRIVE MENLO PARK, CALIFORNIA 94025	
CHECKED	<i>NT 5-4-81</i>				
DSGN APPD	<i>Rev 5-4-81</i>	TITLE		TRANSITION, TWO 90° SIDE BREAKOUTS	
MFG APPD	<i>Rev 5/6/81</i>	CODE IDENT.		DWG. NO.	
OC APPD	<i>Rev 5-4-81</i>	NO. 08080		422A813-X-02	
MKTG APPD	<i>Rev Hoffman</i>	SHEET 1 OF 1			
TECH. SERV.	<i>REV 5-4-81</i>				