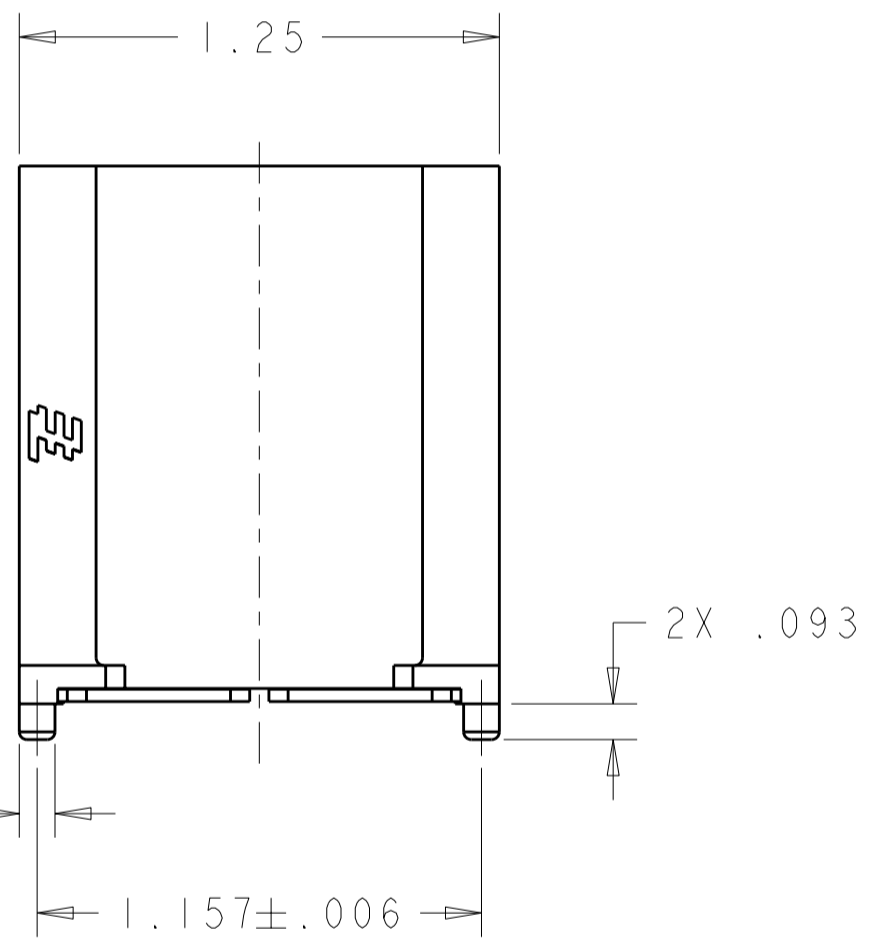
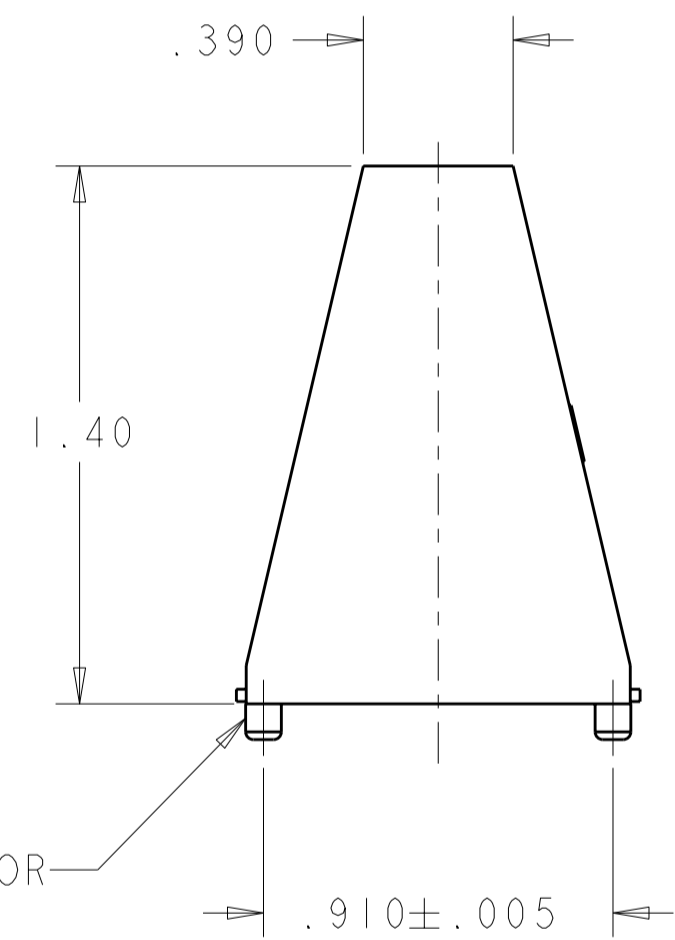
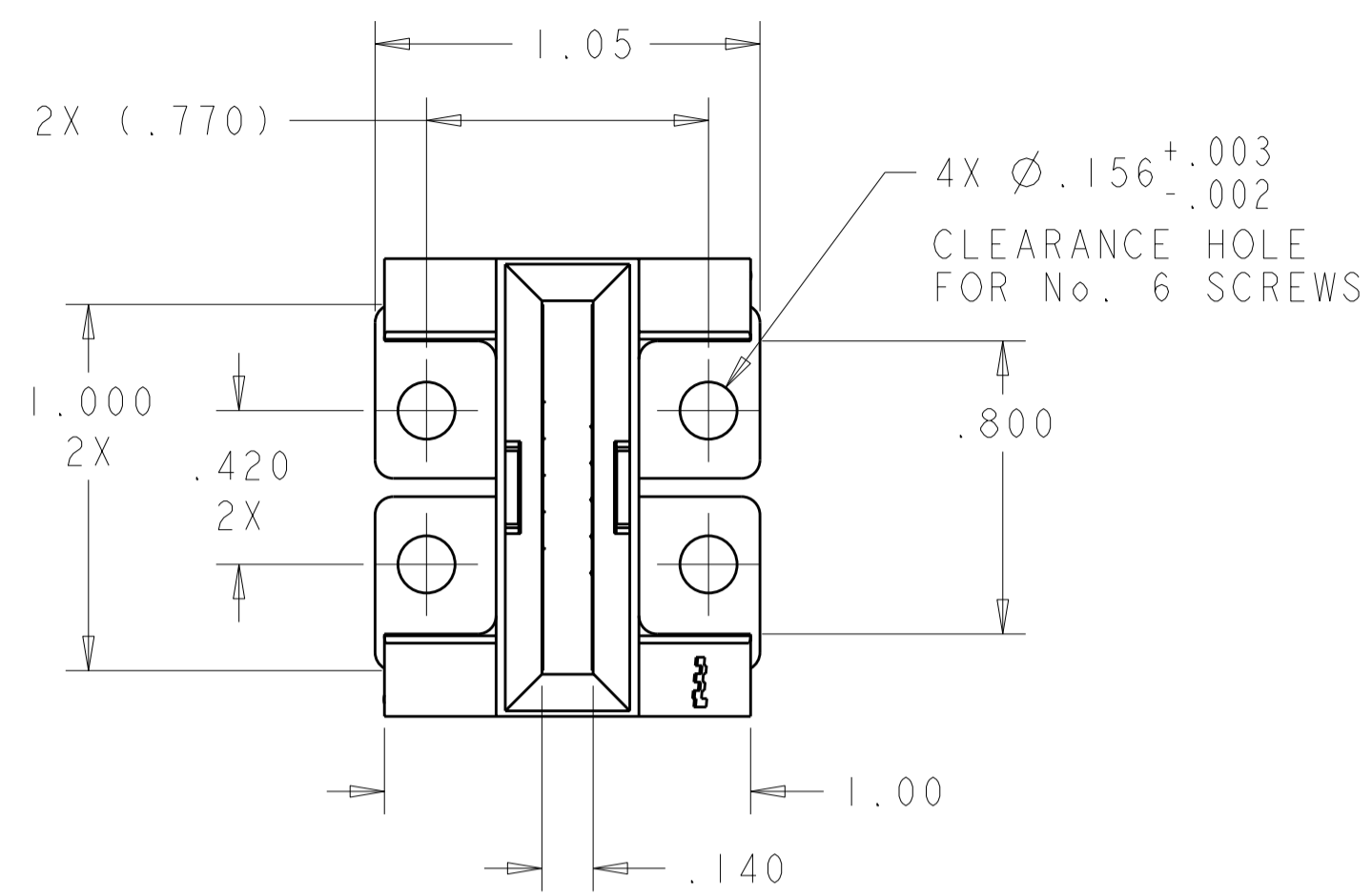


THIS DRAWING IS UNPUBLISHED. RELEASED FOR PUBLICATION 20
 © COPYRIGHT 20 BY TYCO ELECTRONICS CORPORATION. ALL RIGHTS RESERVED.

LOC	DIST	REVISIONS			
P	LTR	DESCRIPTION	DATE	DWN	APVD
GP	00	A	RELEASED	24FEB2009	RG PD
		B	REV PER ECO-09-008703	16APR2009	RG DO



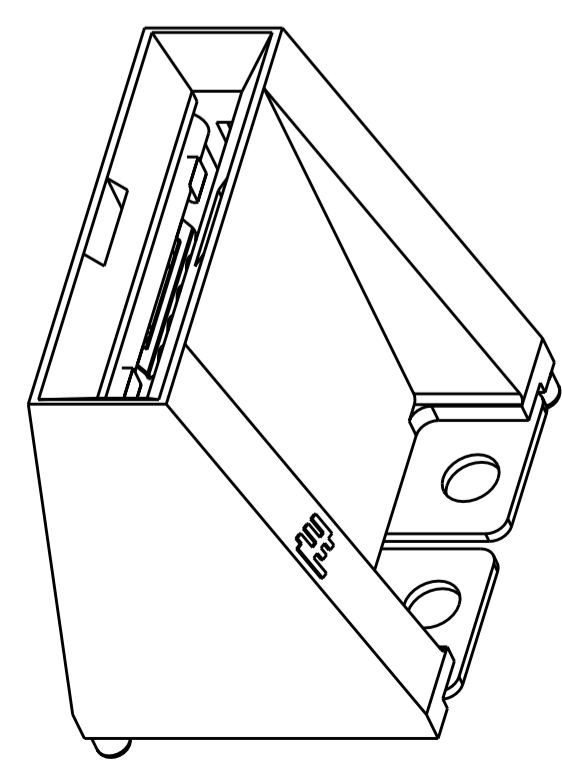
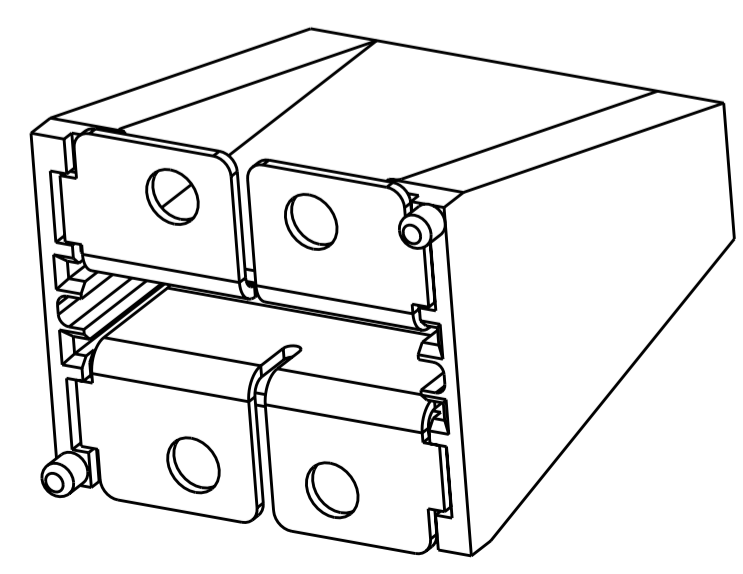
1. PART NUMBER CHANGES AND OR DESIGN CHANGES AFFECTING ITEM INTERCHANGEABILITY REQUIRE PRIOR TYCO ELECTRONICS APPROVAL AND AUTHORIZATION BY REVISION TO THIS DRAWING.

2. MATERIAL:
 INSULATOR - THERMOPLASTIC, GLASS REINFORCED, COLOR: BLACK, UL 94V-0 FLAMMABILITY RATED.
 CROWN HOLDER - COPPER ALLOY
 CROWN BAND - COPPER ALLOY

3. FINISH:
 CROWN BAND - GOLD PLATE .000030 MIN THK OVER NICKEL .000050 MIN THK.
 CROWN BAND HOLDER - GOLD FLASH .000010 MIN THK. NICKEL .000050 MIN THK.

4. ITEMS PROVIDED TO THIS SPECIFICATION TO BE PERMANENTLY PERMANENTLY IDENTIFIED ON THE CONTAINER PER THE FOLLOWING IDENTIFIER LABEL:

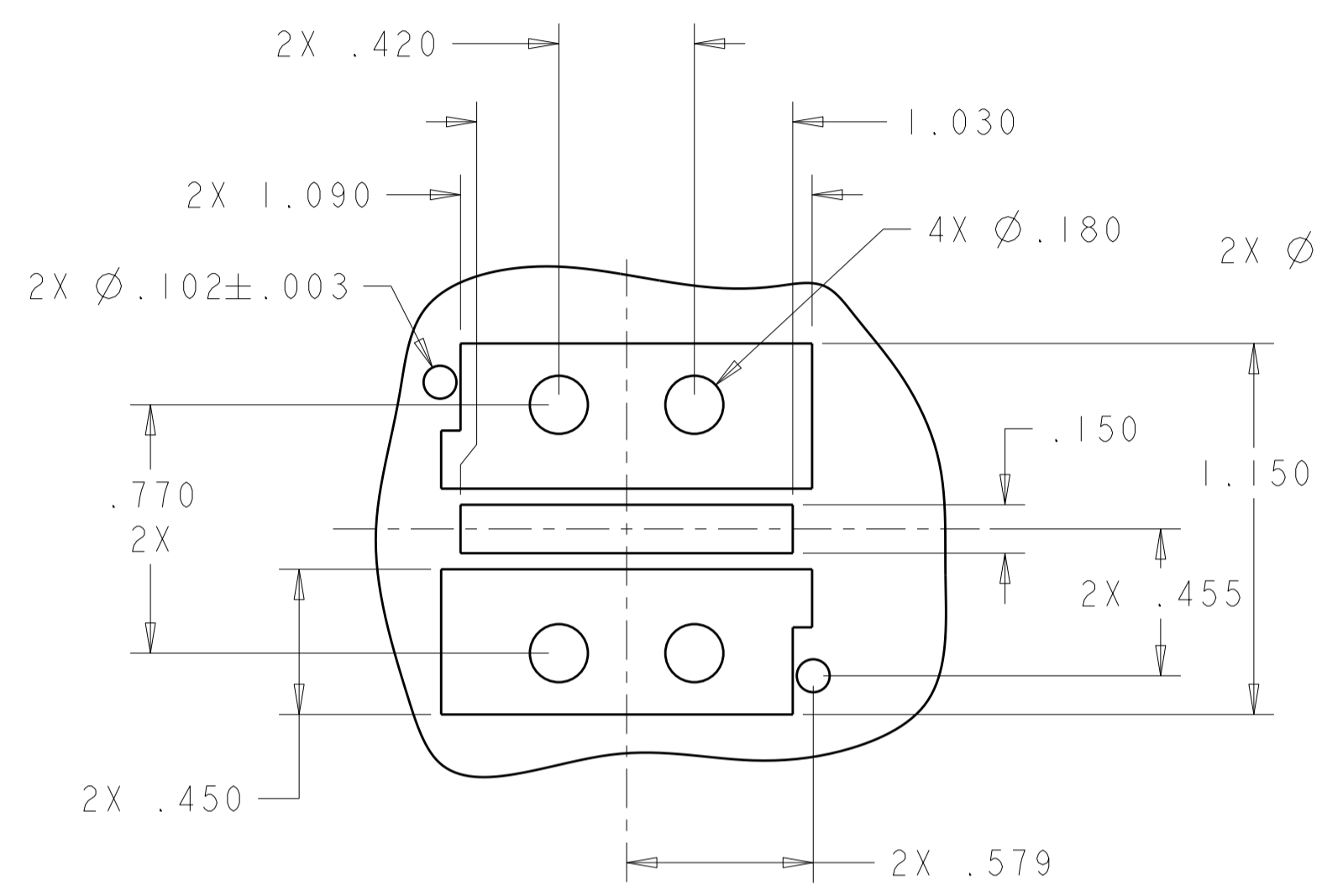
TYCO ELECTRONICS P/N DATE CODE (e.g. 0106)
 XXXXXXXX-X YEAR WEEK
 XXXX



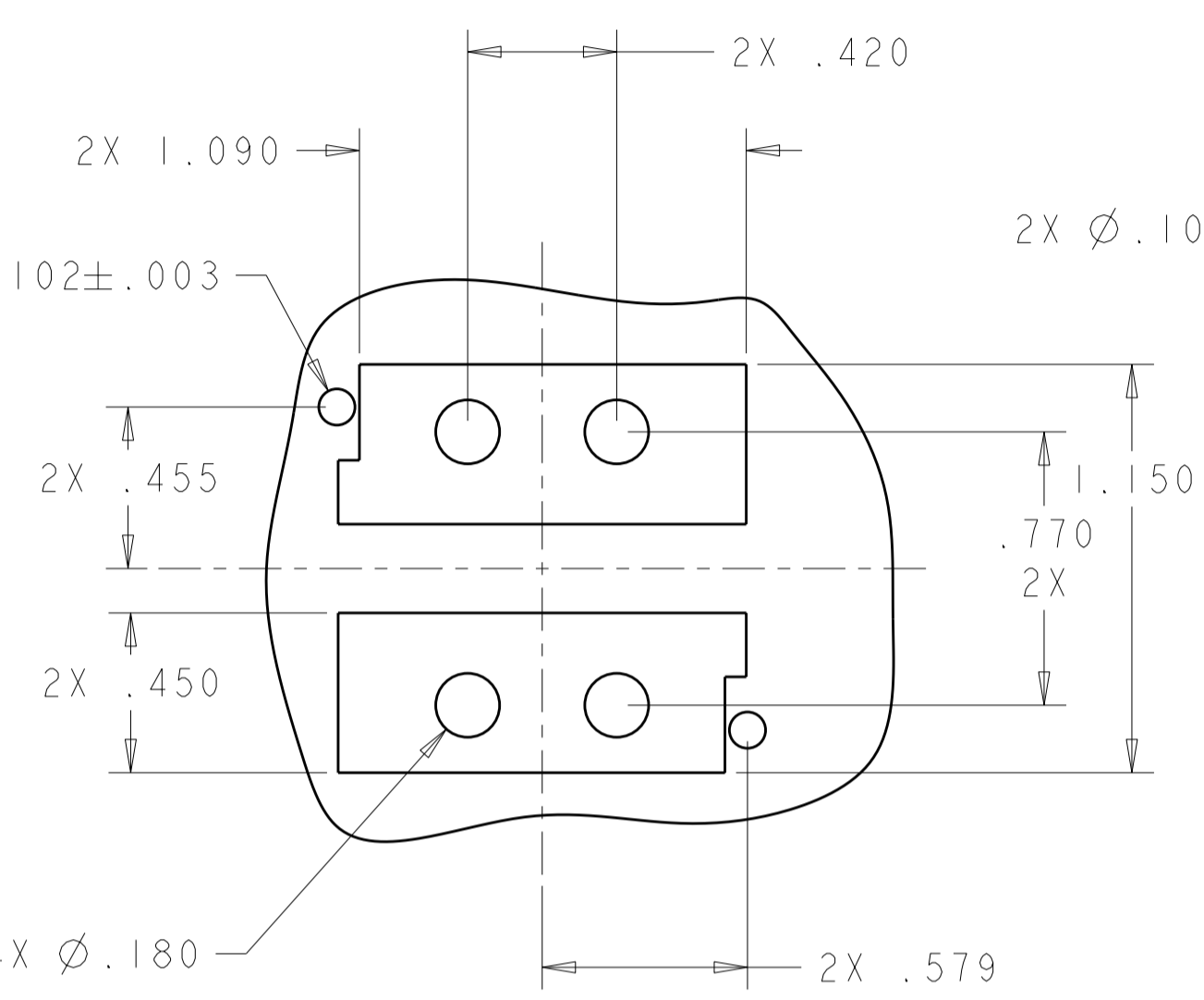
THIS DRAWING IS A CONTROLLED DOCUMENT FOR TYCO ELECTRONICS CORPORATION. IT IS SUBJECT TO CHANGE AND THE CONTROLLING ENGINEERING ORGANIZATION SHOULD BE CONTACTED FOR THE LATEST REVISION.		DWN R. GRZYBOWSKI 28 JAN 2008	AS SHOWN 1926671-1	
DIMENSIONS: INCHES		CHK S. FLICKINGER 28 JAN 2008	DESCRIPTION PART NO.	
TOLERANCES UNLESS OTHERWISE SPECIFIED:		APVD S. FLICKINGER 28 JAN 2008	Tyco Electronics Harrisburg, PA 17105-3608	
0 PLC ±	1 PLC ±	PRODUCT SPEC	NAME DUAL CROWN CLIP No. 6 MOUNTING CLIP WITH LOCATOR	
2 PLC ±.01	3 PLC ±.010	APPLICATION SPEC	SIZE A200779	CAGE CODE C-1926671
4 PLC ±	ANGLES ±2	WEIGHT	SCALE 2:1	SHEET 1 OF 2
MATERIAL 2	FINISH 3	CUSTOMER DRAWING	REV B	

THIS DRAWING IS UNPUBLISHED. RELEASED FOR PUBLICATION 20
 © COPYRIGHT 20 BY TYCO ELECTRONICS CORPORATION. ALL RIGHTS RESERVED.

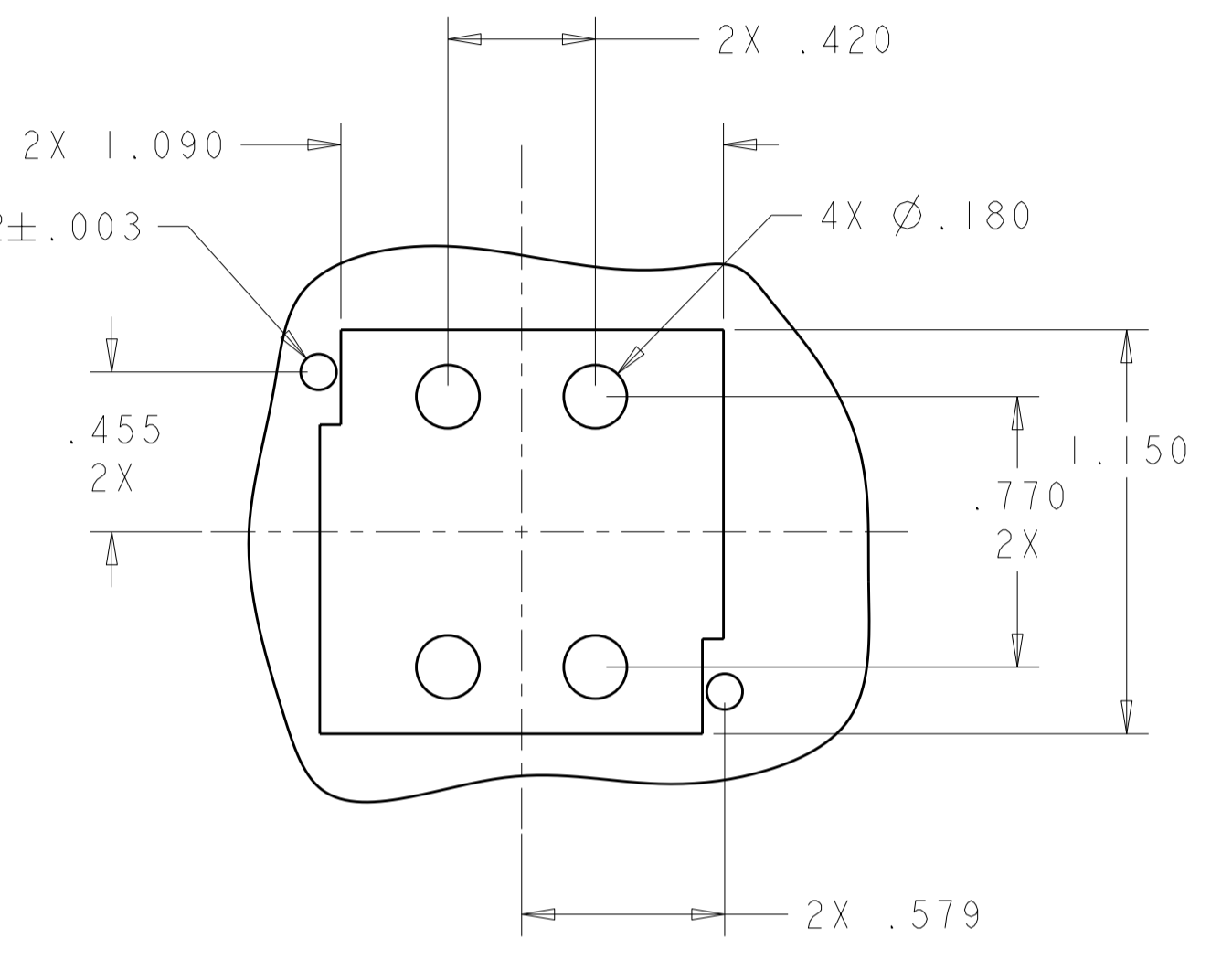
LOC	DIST	REVISIONS				
P	LTR	DESCRIPTION	DATE	DWN	APVD	
GP	00	-	SEE SHEET 1	-	-	



BOTTOM FEED THRU

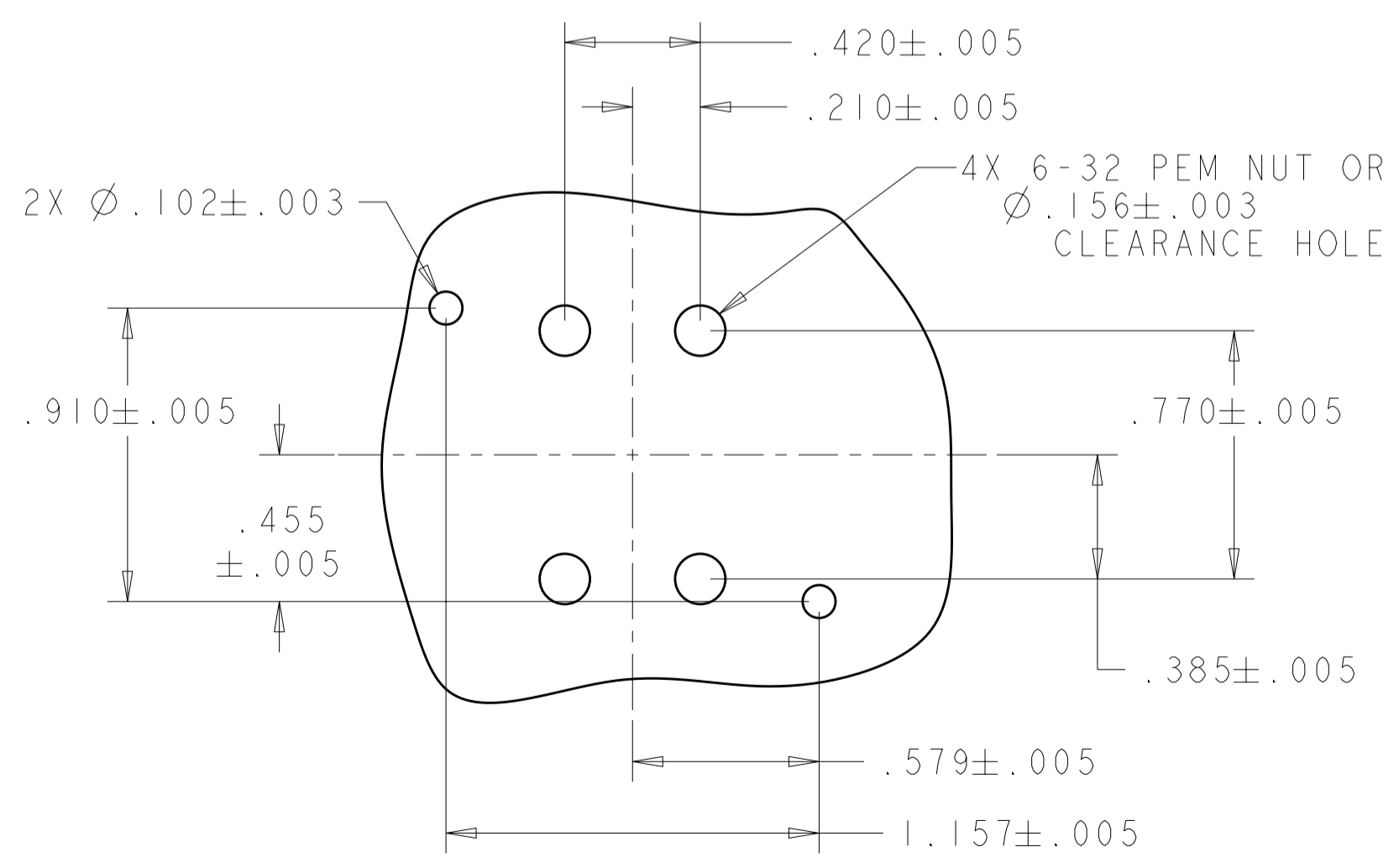


SINGLE POLE



DOUBLE POLE

PRINTED CIRCUIT BOARD LAYOUT
 COMPONENT SIDE



BUSBAR LAYOUT DOUBLE POLE

<small>THIS DRAWING IS A CONTROLLED DOCUMENT FOR TYCO ELECTRONICS CORPORATION. IT IS SUBJECT TO CHANGE AND THE CONTROLLING ENGINEERING ORGANIZATION SHOULD BE CONTACTED FOR THE LATEST REVISION.</small>		DWN 28 JAN 2008 R. GRZYBOWSKI CHK 28 JAN 2008 S. FLICKINGER APVD 28 JAN 2008 S. FLICKINGER	Tyco Electronics Harrisburg, PA 17105-3608
DIMENSIONS: INCHES	TOLERANCES UNLESS OTHERWISE SPECIFIED: 0 PLC ± 1 PLC ± 2 PLC ±.01 3 PLC ±.010 4 PLC ± ANGLES ±2 FINISH	PRODUCT SPEC APPLICATION SPEC WEIGHT CUSTOMER DRAWING	NAME DUAL CROWN CLIP No. 6 MOUNTING CLIP WITH LOCATOR SIZE CAGE CODE DRAWING NO RESTRICTED TO A200779 C-1926671 -
SCALE 2:1		SHEET 2 OF 2	REV B