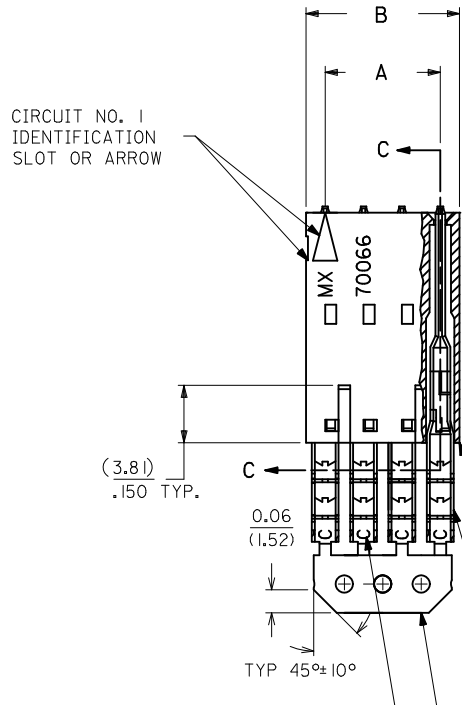
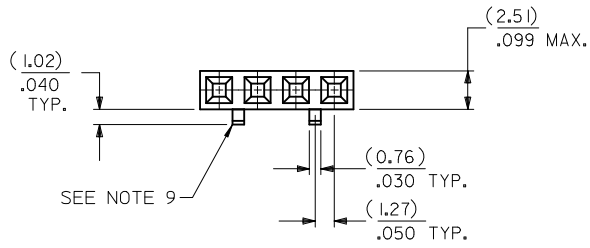
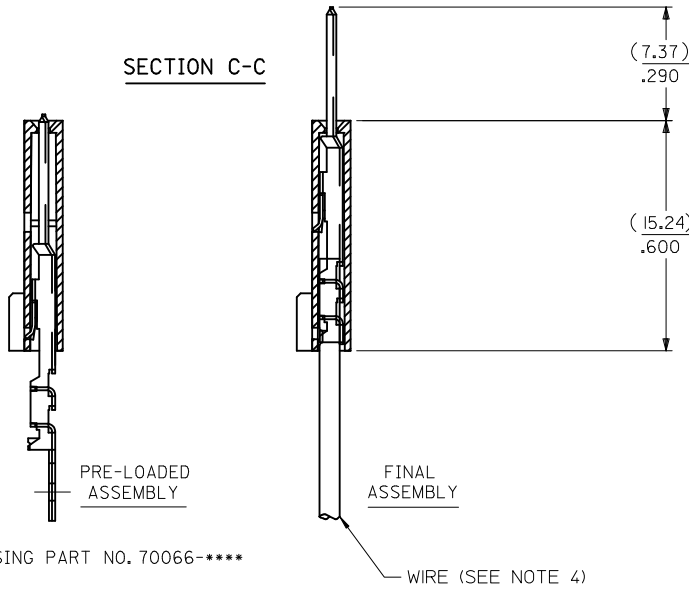


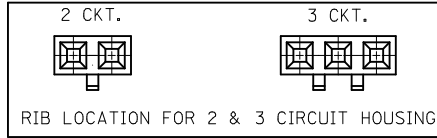
OPTION D



SECTION C-C



- NOTES:
1. MATERIAL: HOUSING - G.F. POLYESTER, 94V-0
TERMINAL - PHOSPHOR BRONZE
 2. FINISH: 3.81 MICROMETERS/150 MICROINCHES MINIMUM TIN OVER NICKEL UNDERPLATE OVER-ALL.
 3. PRODUCT SPECIFICATION: PS-70400
 4. TO BE USED WITH 28 AWG. STANDARD WIRE WITH 1.35/.053 DIAMETER MAXIMUM INSULATION.
 5. SEE CHART FOR CIRCUIT SIZES.
 6. STANDARD PACKAGING PER PK-70873-0001. OPTIONAL PACKAGING MAY BE AVAILABLE, REQUEST DRAWING PK-70475.
 7. PARTS STACKABLE END TO END ON 2.54/.100 CENTERS
 8. SEE DRAWING SDA-70457-**** (SHEET 3) FOR OPTIONAL HOUSING DETAILS.
 9. 4 CIRCUIT SHOWN, 3-25 CIRCUITS HAVE 2 RIBS.
 10. TO MATE WITH MOLEX PART NUMBERS: 70018-0000, 70022-****, 70104-****.
 11. 2 CIRCUIT ASSEMBLIES SUPPLIED AS GROUPED PAIRS.



CKT. SIZE	A	B	EDP. NO.	ENG. NO.
2	(2.54) .100	(5.05) .199	14-45-1802	A-70475-0421
3	(5.08) .200	(7.59) .299	14-45-1803	A-70475-0422
4	(7.62) .300	(10.13) .399	14-45-1804	A-70475-0423
5	(10.16) .400	(12.67) .499	14-45-1805	A-70475-0424
6	(12.70) .500	(15.21) .599	14-45-1806	A-70475-0425
7	(15.24) .600	(17.75) .699	14-45-1807	A-70475-0426
8	(17.78) .700	(20.29) .799	14-45-1808	A-70475-0427
9	(20.32) .800	(22.83) .899	14-45-1809	A-70475-0428
10	(22.86) .900	(25.37) .999	14-45-1810	A-70475-0429
11	(25.54) 1.000	(27.91) 1.099	14-45-1811	A-70475-0430
12	(27.94) 1.100	(30.45) 1.199	14-45-1812	A-70475-0431
13	(30.48) 1.200	(32.99) 1.299	14-45-1813	A-70475-0432
14	(33.02) 1.300	(35.53) 1.399	14-45-1814	A-70475-0433
15	(35.56) 1.400	(38.07) 1.499	14-45-1815	A-70475-0434
16	(38.01) 1.500	(40.61) 1.599	14-45-1816	A-70475-0435
17	(40.64) 1.600	(43.15) 1.699	14-45-1817	A-70475-0436
18	(43.18) 1.700	(45.69) 1.799	14-45-1818	A-70475-0437
19	(45.72) 1.800	(48.23) 1.899	14-45-1819	A-70475-0438
20	(48.26) 1.900	(50.77) 1.999	14-45-1820	A-70475-0439
21	(50.80) 2.000	(53.31) 2.099	14-45-1821	A-70475-0440
22	(53.34) 2.100	(55.85) 2.199	14-45-1822	A-70475-0441
23	(55.88) 2.200	(58.39) 2.299	14-45-1823	A-70475-0442
24	(58.42) 2.300	(60.93) 2.399	14-45-1824	A-70475-0443
25	(60.96) 2.400	(63.47) 2.499	14-45-1825	A-70475-0444

HOUSING PART NO. 70066-****
TERMINAL PART NO. 70110-****

I.D. SLOT CODE TO WIRE GAUGE CHART	
I.D. SLOT CODE	WIRE GAUGE
C	28 AWG.

PLATING CODE (STRIPE ON CARRIER STRIP)	
PLATING	COLOR
TIN	NONE

ADD GEN TOLERANCES	DESCRIPTION	QUALITY SYMBOLS
EC NO: UCP2011-3892	2011/06/27	▽=0
DRWINMS IBARRA	2011/07/07	▽=0
CHKD MORGAN		▽=0
APPR: SWILLER		

GENERAL TOLERANCES (UNLESS SPECIFIED)	
mm	INCH
4 PLACES ± .010	± .004
3 PLACES ± .010	± .004
2 PLACES ± 0.25	± .010
1 PLACE ± 0.35	± .014
ANGULAR ± 1/2°	

DIMENSION STYLE	
MM/IN	
DRAWN BY	DATE
WAZ	10/13/84
CHECKED BY	DATE
WAZ	10/13/84
APPROVED BY	DATE
RL	10/13/84
MATERIAL NO.	DOCUMENT NO.
SEE TABLE	SDA-70475-0421-0444

SCALE	DESIGN UNITS	THIRD ANGLE PROJECTION
4:1	INCH	☉
TITLE		
ASSEMBLY, SL CONNECTOR		
SINGLE ROW		
2.54/.100 GRID		
MOLEX INCORPORATED		
SHEET NO.		1 OF 1