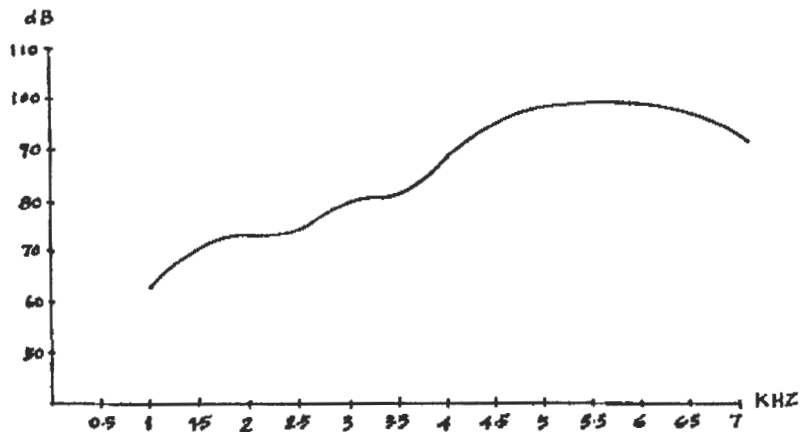
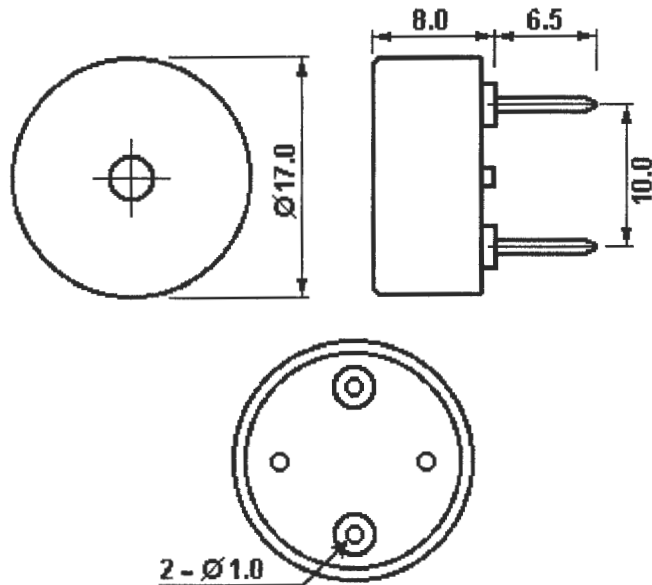


INTERVOX PIEZO BUZZER

EXTERNAL DRIVE TYPE

BRP1708P-30 SERIES



SPECIFICATIONS:

Model No.	BRP1708P-30
Max Input Voltage (Vp-p)	30
Static Capacitance (pF)	8,000 \pm 30%
Resonant Frequency (Hz)	4,500 \pm 500
Resonant Resistance	500
Operating Temperature (°C)	-20 to +60
Sound Pressure Vs Freq. Sinwave 10 VRMS @ 30 cm	

INTERVOX
International ©
 INTERNATIONAL COMPONENTS CORPORATION
 215 MCCORMICK DRIVE, BOHEMIA, NY 11716
 FAX: 631-952-9595 FAX: 631-952-9597

Title:		
External Drive Piezo Buzzer		
	Intervox Model # BRP1708P-30	Rev A
Scale: mm	Date: 4/11/96	Sheet of 1 1