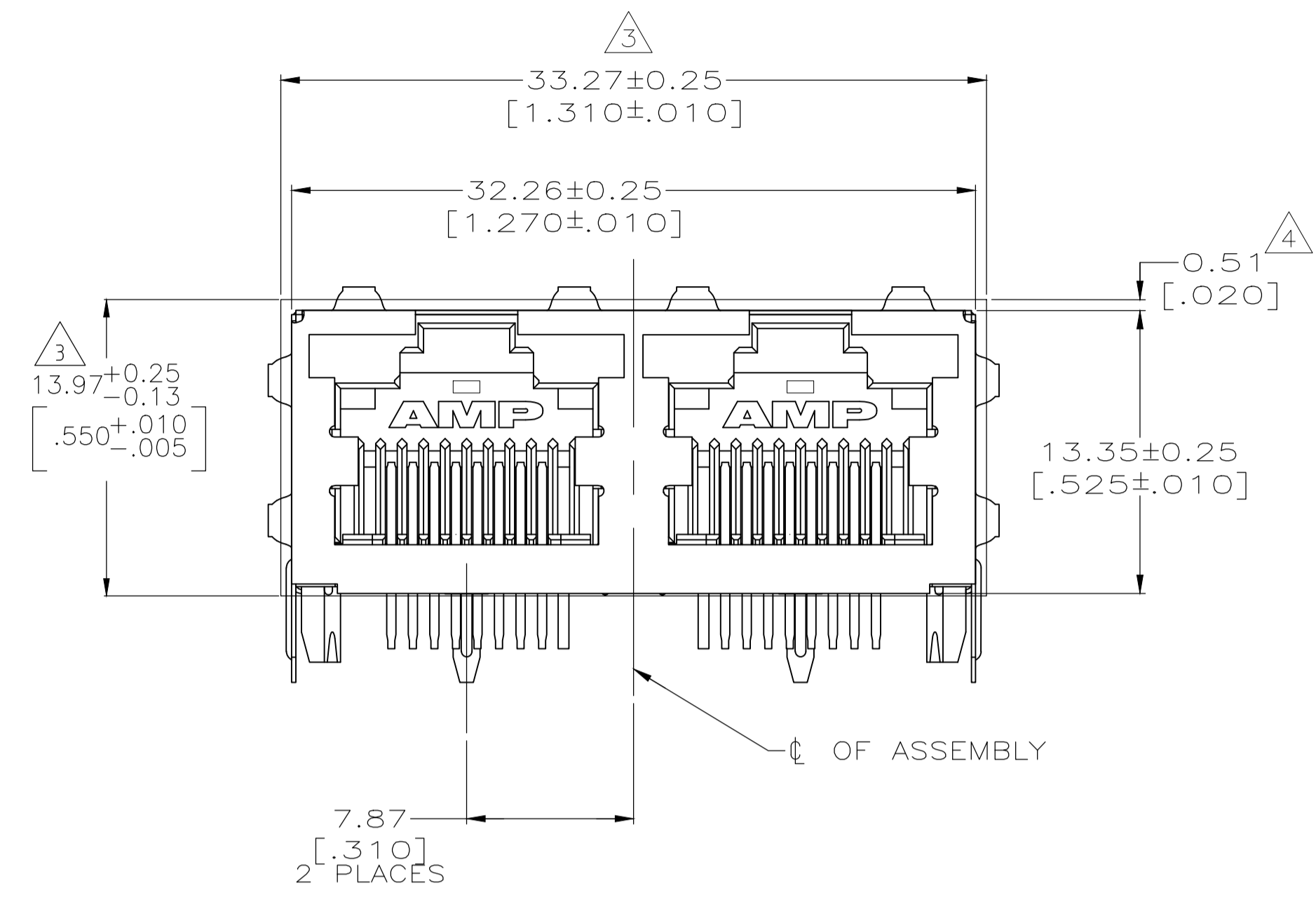
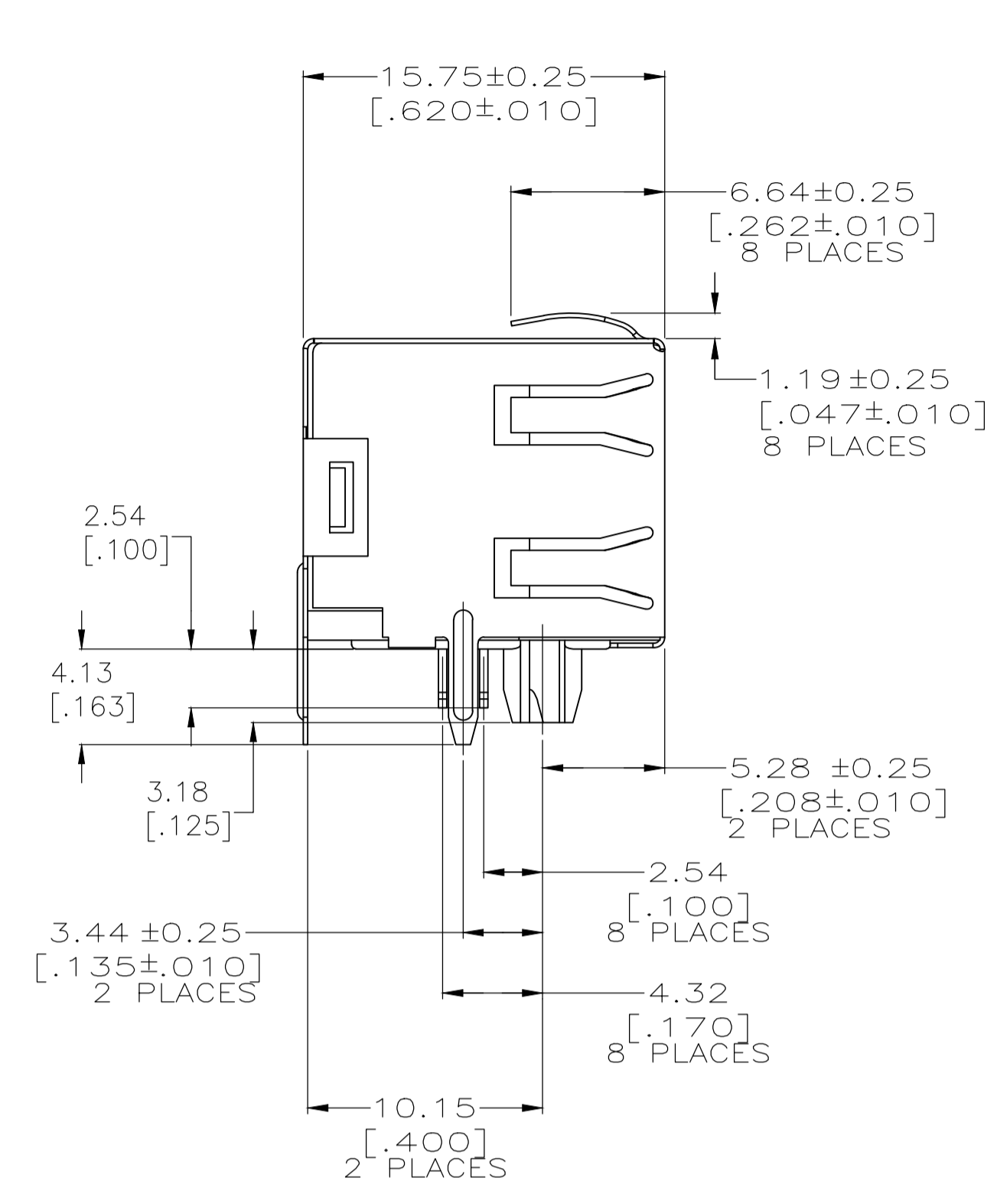


REVISIONS					
P	LTR	DESCRIPTION	DATE	DMN	APVD
C		ECC-18-014918	20AUG2019	RR	SH

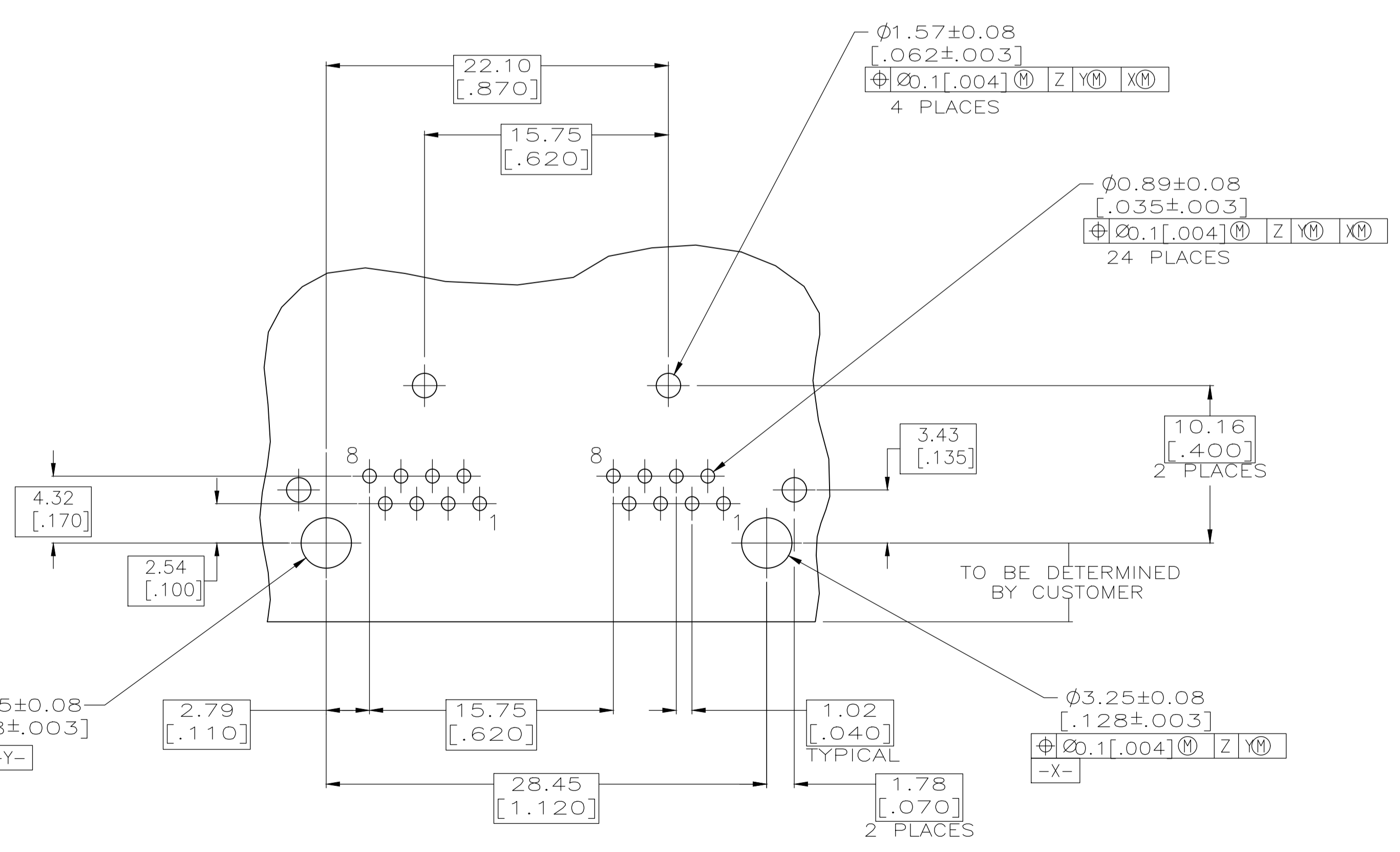


- MATERIAL: HOUSING - HIGH TEMPERATURE THERMOPLASTIC, COLOR: BLACK, UL94V-0
 TERMINALS - 0.36[.014] THICK PHOS BRONZE PLATED WITH 3.81μm[.000150] MINIMUM THICK BRIGHT TIN LEAD IN SOLDER AREA. 1.27μm [.000050] MINIMUM GOLD IN LOCALIZED PLATE AREA. ENTIRE TERMINAL PLATED WITH 1.27μm [.000050] MINIMUM THICK NICKEL.
 SHIELD - 0.196[.0077] THICK COPPER ZINC ALLOY PREPLATED WITH 1.27μm[.000050] MINIMUM SATIN NICKEL WITH 2.03μm[.000080] MINIMUM TIN POST DIPPED ON PCB GROUND TABS.

2. JACK CAVITY CONFORMS TO FCC RULES AND REGULATIONS PART 68, SUBPART F.

△ SUGGESTED PANEL OPENING DIMENSIONS.

△ SUGGESTED CLEARANCE BETWEEN TOP OF CONNECTOR AND TOP PANEL OPENING.



SUGGESTED PRINTED CIRCUIT BOARD LAYOUT (COMPONENT SIDE)

OBSOLETED 1116522-1 PART NUMBER

THIS DRAWING IS A CONTROLLED DOCUMENT.		DMN DL DRUMMOND 02-FEB-99	TE Connectivity	
DIMENSIONS: mm [INCHES]		CHK DL DRUMMOND 04-FEB-99	NAME	
TOLERANCES UNLESS OTHERWISE SPECIFIED:		APVD EC LAURER 05-FEB-99	PRODUCT SPEC	
0. PLC ± -		108-1163-4		
1. PLC ± -		APPLICATION SPEC		
2. PLC ± 0.25[.01]		114-2154		
3. PLC ± 0.13[.005]		SIZE CASE CODE DRAWING NO		
4. PLC ± -		RESTRICTED TO		
ANGLES ± -		WEIGHT 0.000000 A1 00779 C=1116522		
MATERIAL SEE NOTE 1	FINISH SEE NOTE 1	CUSTOMER DRAWING SCALE 4:1 SHEET 1 OF 1 REV C		