

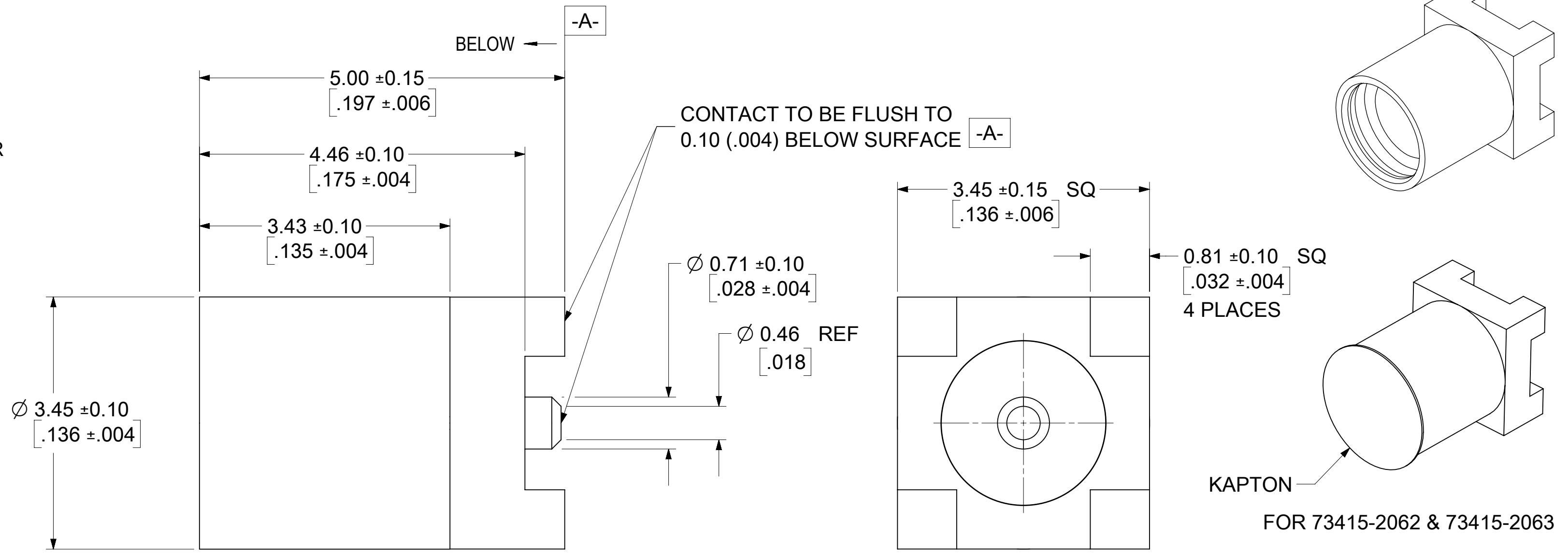
MATERIALS AND FINISHES

BODY BRASS
PLATED GOLD

CENTER CONTACT BERYLLIUM COPPER
PLATED GOLD

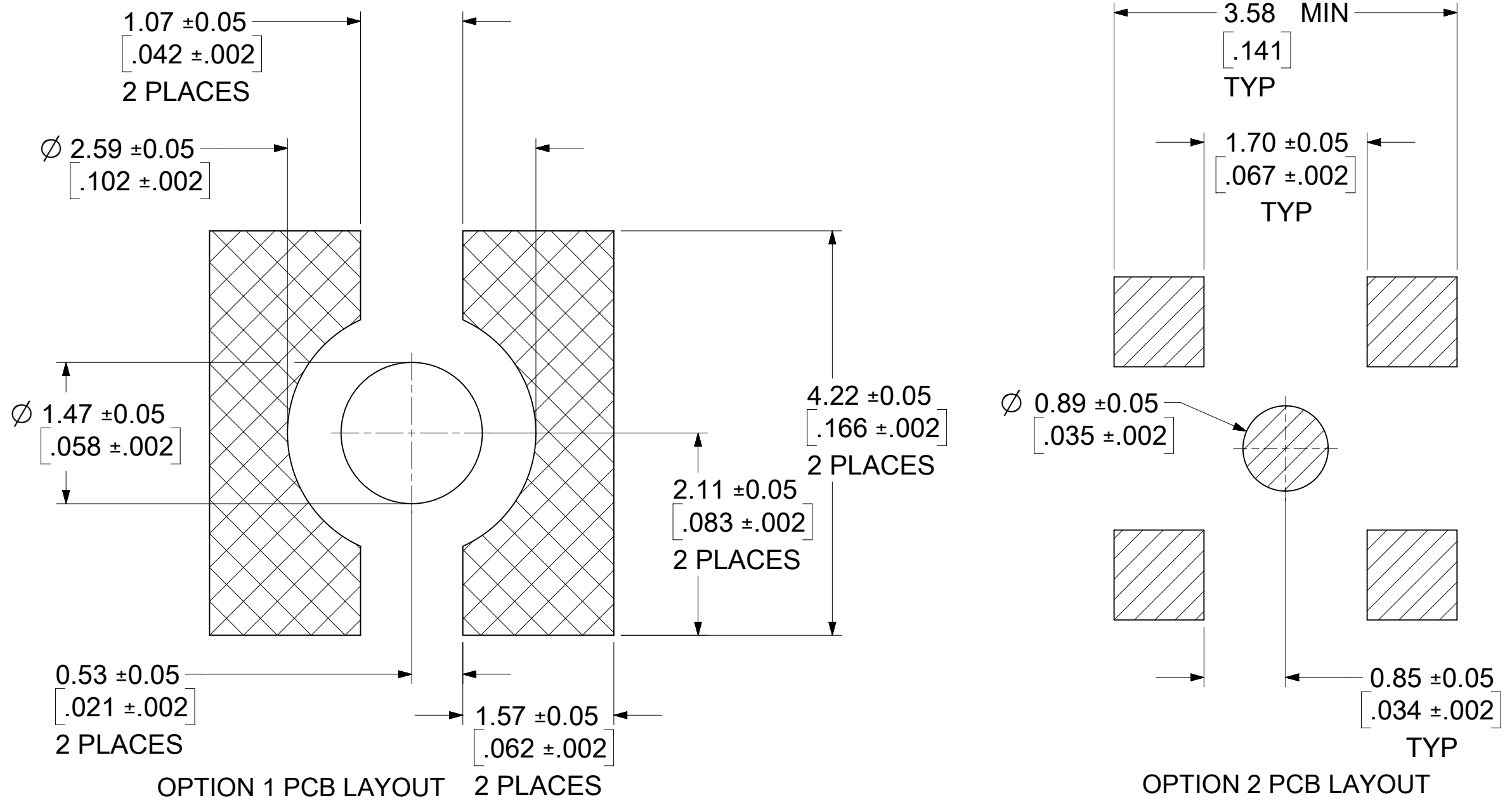
INSULATOR TEFLON

KAPTON
COLOR AMBER

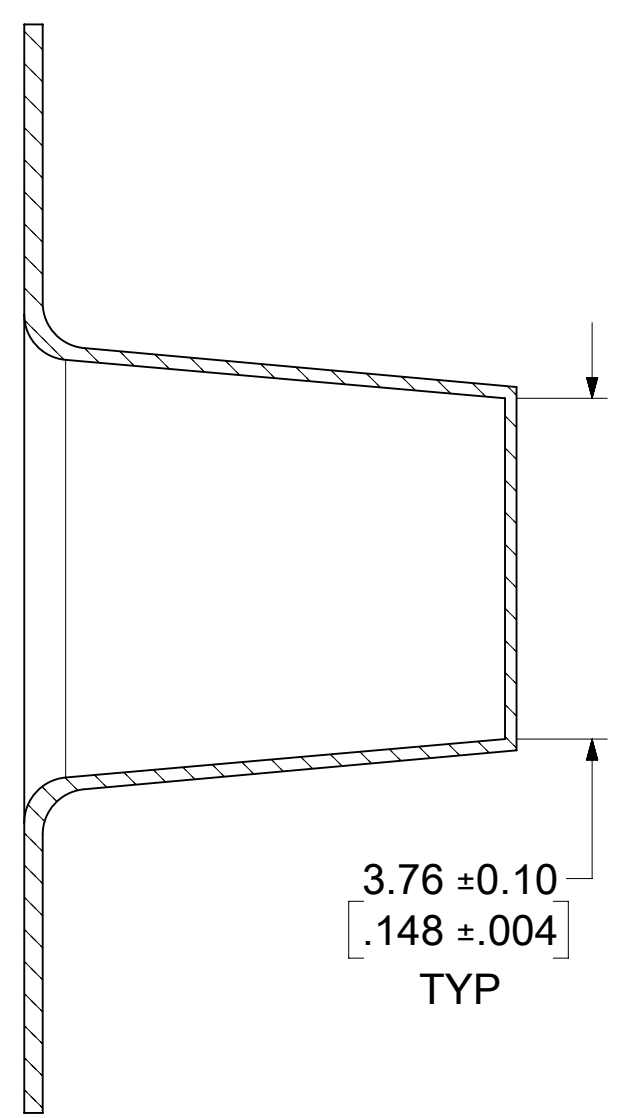
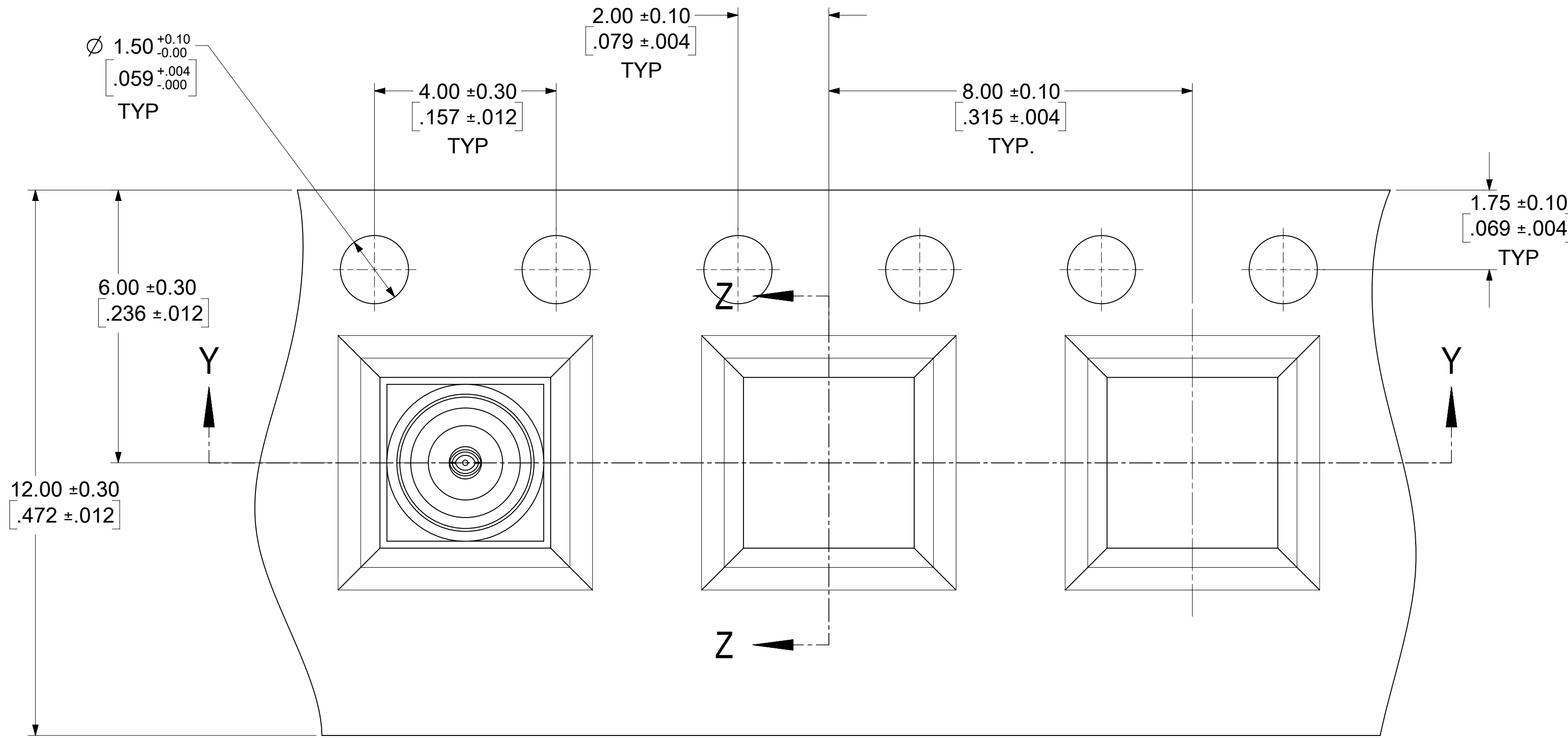


PS-89675-1920	ELECTRO/MECH PERFORM.
SPECIFICATION	DESCRIPTION

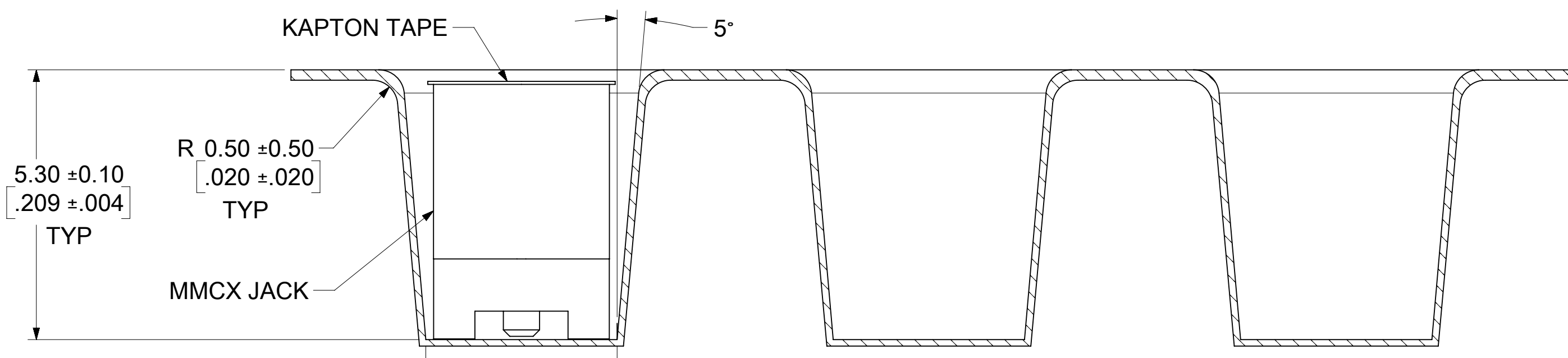
73415-2065	73415-2061 WITH TAPE & REEL WITHOUT KAPTON
73415-2064	73415-2061. ONE PER BAG
73415-2063	73415-2061 WITH TAPE & REEL/KAPTON
73415-2062	73415-2060 WITH TAPE & REEL/KAPTON
73415-2061	PER COMMERCIAL REQUIREMENTS, PACKING TRAY
73415-2060	PER MILITARY REQUIREMENTS, PACKING TRAY
PART NO.	PLATING



FUNCTIONAL SYMBOLS $\frac{E}{A} = 0$ $\frac{E}{C} = 0$ $\frac{E}{P} = 0$	THIS DRAWING CONTAINS INFORMATION THAT IS PROPRIETARY TO MOLEX ELECTRONIC TECHNOLOGIES, LLC AND SHOULD NOT BE USED WITHOUT WRITTEN PERMISSION	SCALE	CURRENT REV DESC: EWR # 15708-A : ADDED PACKAGING SPEC FOR -2060 & -2061 PART NO			
	DIMENSION UNITS	NTS	EC NO: 740907 DRWN: JSU18 CHK'D: YCHENG APPR: YCHENG 2023/03/02 2023/03/16 2023/03/16			
	GENERAL TOLERANCES (UNLESS SPECIFIED)					
	ANGULAR TOL	± 2.0°	PRODUCT CUSTOMER DRAWING DOCUMENT NUMBER: SD-73415-206 DOC TYPE: PSD DOC PART: 001 REVISION: B2			
DIVISIONAL SYMBOLS	4 PLACES ±	3 PLACES ±	2 PLACES ±	1 PLACE ±	0 PLACES ±	
DRAFT WHERE APPLICABLE MUST REMAIN WITHIN DIMENSIONS	THIRD ANGLE PROJECTION	DRAWING	SERIES	MATERIAL NUMBER	CUSTOMER	SHEET NUMBER
		C-SIZE	73415		GENERAL MARKET	1 OF 5



SECTION Z-Z



SECTION Y-Y

FUNCTIONAL SYMBOLS $\nabla_A = 0$ $\nabla_C = 0$ $\nabla_P = 0$	THIS DRAWING CONTAINS INFORMATION THAT IS PROPRIETARY TO MOLEX ELECTRONIC TECHNOLOGIES, LLC AND SHOULD NOT BE USED WITHOUT WRITTEN PERMISSION		CURRENT REV DESC: EWR # 15708-A : ADDED PACKAGING SPEC FOR -2060 & -2061 PART NO	
	DIMENSION UNITS	SCALE		
	MM/INCH	NTS		
	GENERAL TOLERANCES (UNLESS SPECIFIED)			
DIVISIONAL SYMBOLS 4 PLACES ± 3 PLACES ± 2 PLACES ± 1 PLACE ± 0 PLACES ±	ANGULAR TOL	±	2.0°	
	EC NO: 740907		2023/03/02	
	DRWN: JSU18		2023/03/16	
	CHK'D: YCHENG		2023/03/16	
APPR: YCHENG		2023/03/16		PRODUCT CUSTOMER DRAWING
INITIAL REVISION:				DOCUMENT NUMBER
DRWN: TFLAHERTY		2006/02/09		SD-73415-206
APPR: JWIENER		2006/02/09		DOC TYPE
DRAFT WHERE APPLICABLE MUST REMAIN WITHIN DIMENSIONS		THIRD ANGLE PROJECTION	DRAWING	SERIES
			C-SIZE	73415
		MATERIAL NUMBER	CUSTOMER	SHEET NUMBER
			GENERAL MARKET	2 OF 5

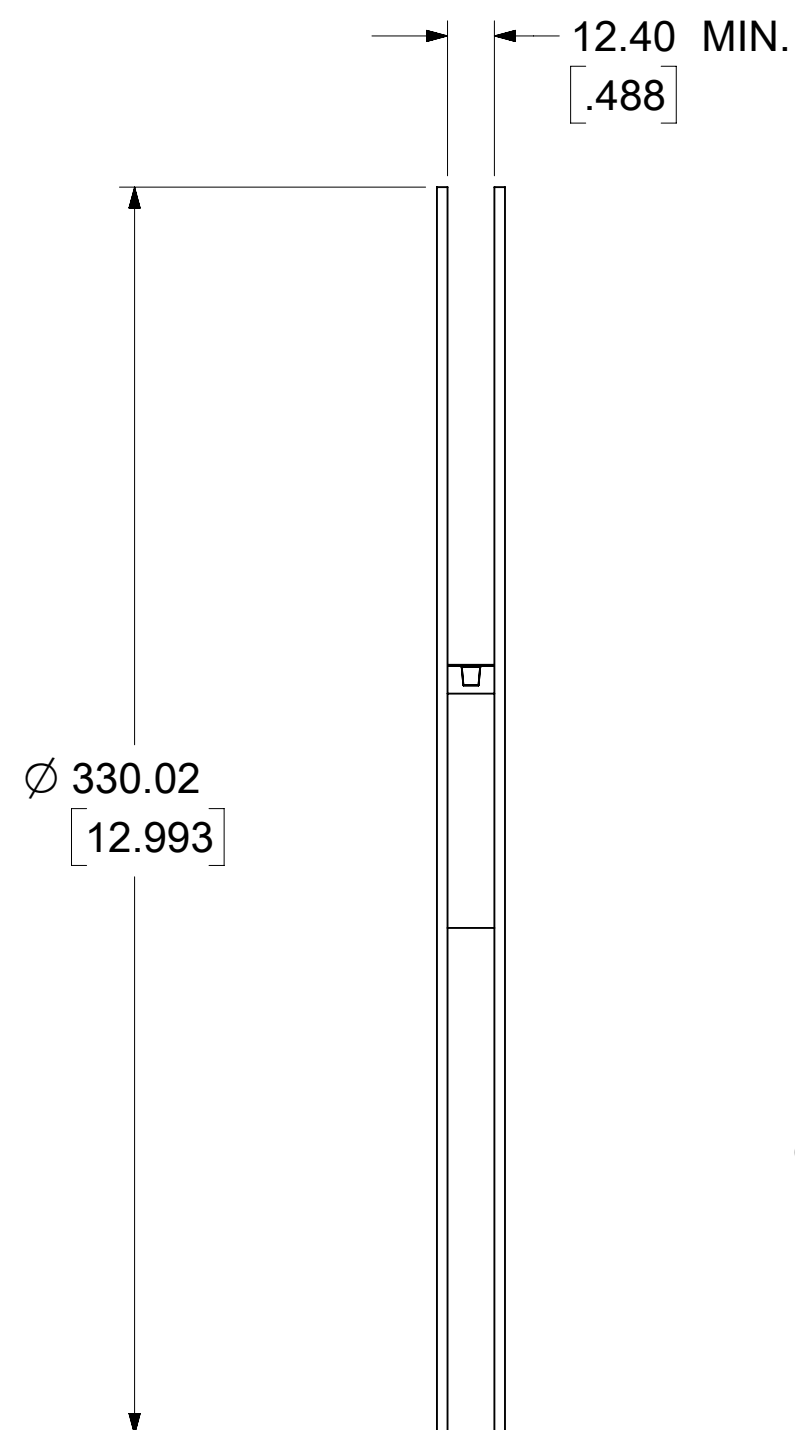
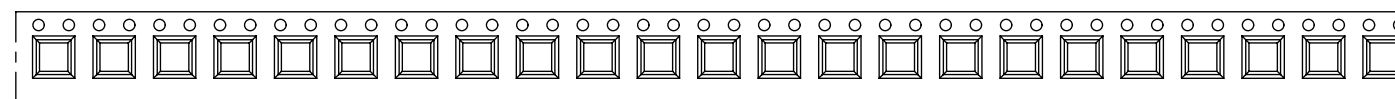
molex

MMCX JACK, VERTICAL
PCB/SMT 50 OHMS MMCX-J/PCB

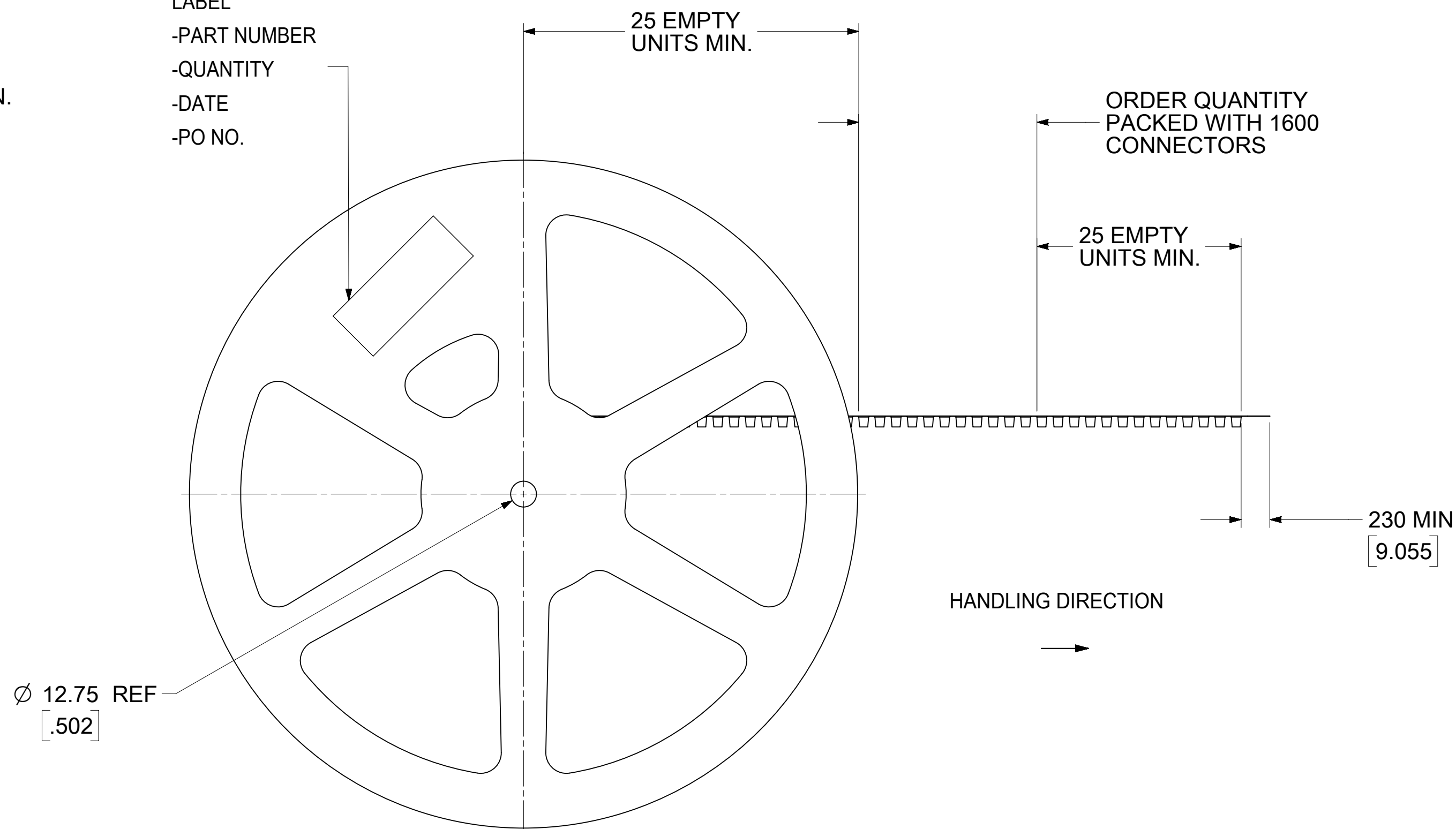
PRODUCT CUSTOMER DRAWING

PSD 001 B2

NOTE:
13" REEL SIZE FOR 1600 PIECES



LABEL
-PART NUMBER
-QUANTITY
-DATE
-PO NO.



THIS DRAWING CONTAINS INFORMATION THAT IS PROPRIETARY TO MOLEX ELECTRONIC TECHNOLOGIES, LLC AND SHOULD NOT BE USED WITHOUT WRITTEN PERMISSION									
FUNCTIONAL SYMBOLS	DIMENSION UNITS	SCALE	CURRENT REV DESC: EWR # 15708-A : ADDED PACKAGING SPEC FOR -2060 & -2061 PART NO						
$\nabla_A = 0$	MM/INCH	NTS	<p>EC NO: 740907</p> <p>DRWN: JSU18 2023/03/02</p> <p>CHK'D: YCHENG 2023/03/16</p> <p>APPR: YCHENG 2023/03/16</p> <p>INITIAL REVISION:</p> <p>DRWN: TFLAHERTY 2006/02/09</p> <p>APPR: JWIENER 2006/02/09</p>						
$\nabla_C = 0$	GENERAL TOLERANCES (UNLESS SPECIFIED)								
$\nabla_P = 0$	ANGULAR TOL $\pm 2.0^\circ$								
DIVISIONAL SYMBOLS	4 PLACES	\pm	PRODUCT CUSTOMER DRAWING						
	3 PLACES	\pm	DOCUMENT NUMBER						
	2 PLACES	\pm	SD-73415-206						
	1 PLACE	\pm	DOC TYPE						
	0 PLACES	\pm	PSD						
	DRAFT WHERE APPLICABLE MUST REMAIN WITHIN DIMENSIONS		THIRD ANGLE PROJECTION		DRAWING	SERIES	MATERIAL NUMBER	CUSTOMER	REVISION
					C-SIZE	73415		GENERAL MARKET	B2
									SHEET NUMBER
									3 OF 5

molex

MMCX JACK, VERTICAL
PCB/SMT 50 OHMS MMCX-J/PCB

PRODUCT CUSTOMER DRAWING

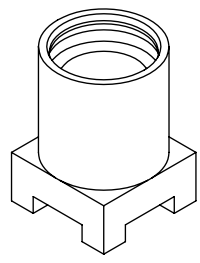
SD-73415-206

PSD 001 B2

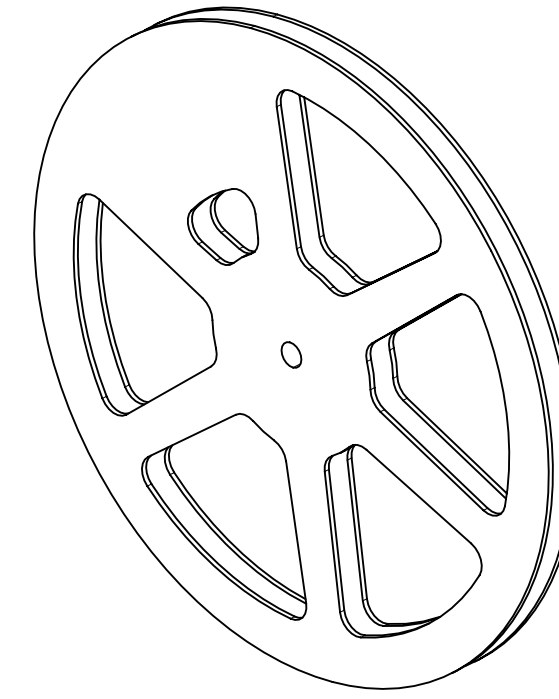
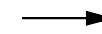
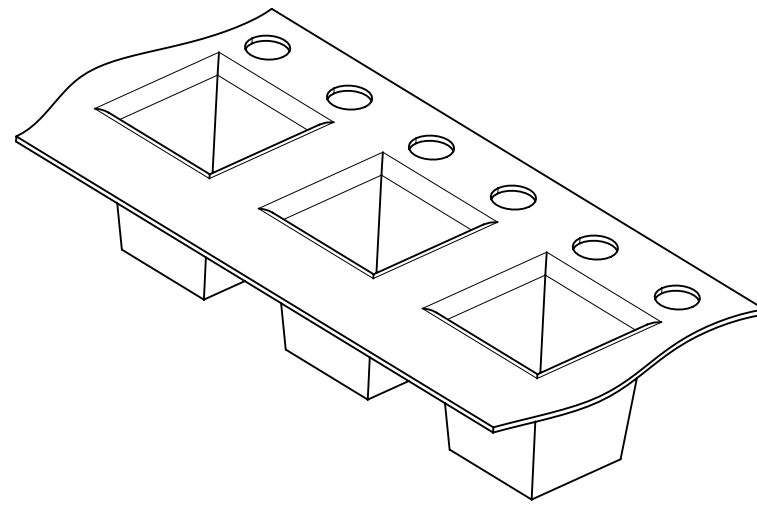
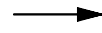
GENERAL MARKET

3 OF 5

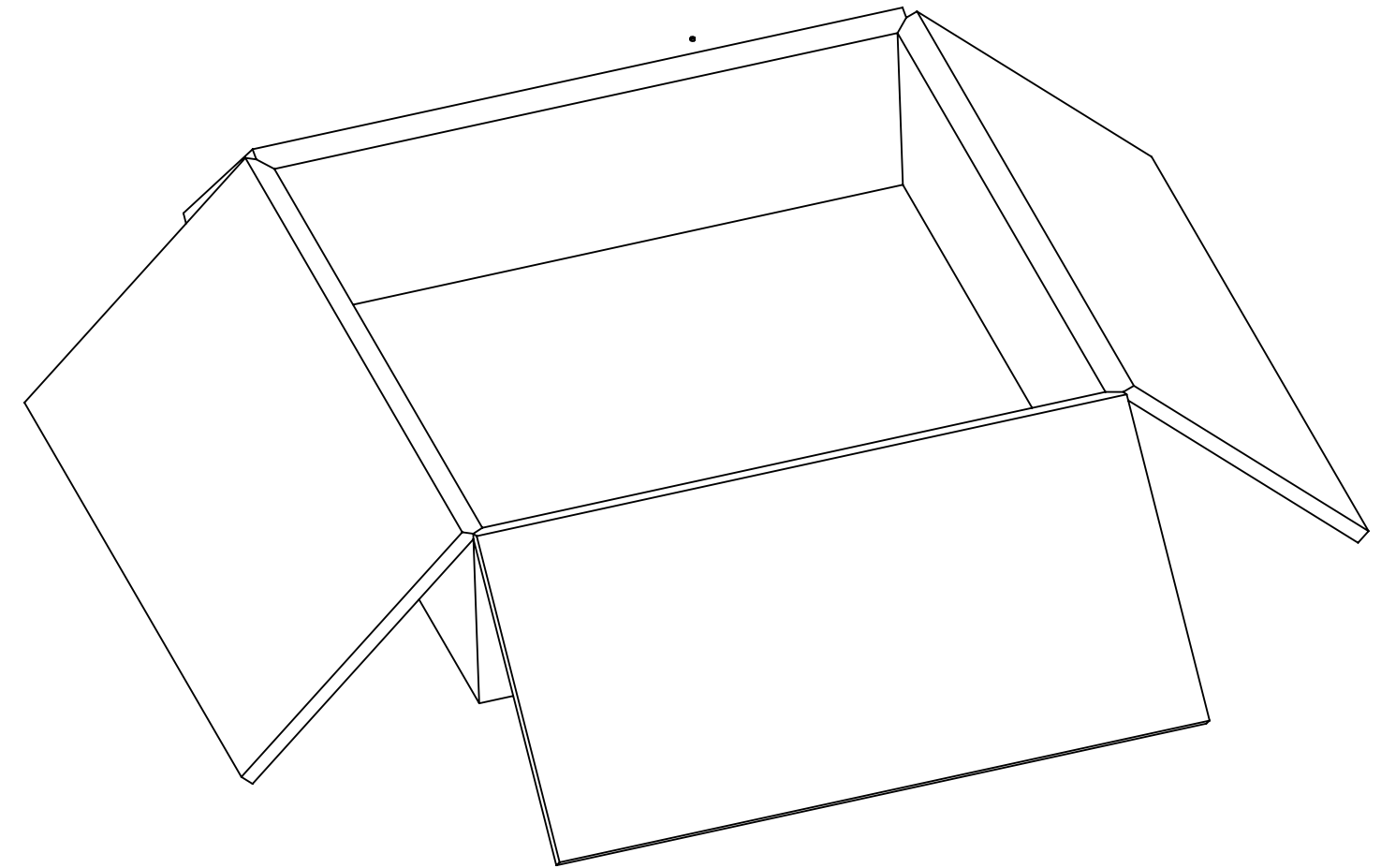
DOCUMENT STATUS P1 RELEASE DATE 2023/03/16 04:28:02



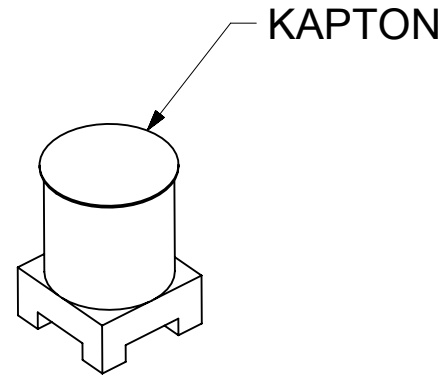
PART NO. 73415-2065



1600 SET PER 13" REEL



8000 CONNECTORS PER
OUTER CARTON BOX
339 X 339 X 100 REF.



KAPTON

PART NO 73415-2062
PART NO 73415-2063

FUNCTIONAL SYMBOLS	THIS DRAWING CONTAINS INFORMATION THAT IS PROPRIETARY TO MOLEX ELECTRONIC TECHNOLOGIES, LLC AND SHOULD NOT BE USED WITHOUT WRITTEN PERMISSION											
	DIMENSION UNITS	SCALE	CURRENT REV DESC: EWR # 15708-A : ADDED PACKAGING SPEC FOR -2060 & -2061 PART NO									
$\nabla_A = 0$	MM/INCH	NTS	<p>EC NO: 740907</p> <p>DRWN: JSU18 2023/03/02</p> <p>CHK'D: YCHENG 2023/03/16</p> <p>APPR: YCHENG 2023/03/16</p> <p>INITIAL REVISION:</p> <p>DRWN: TFLAHERTY 2006/02/09</p> <p>APPR: JWIENER 2006/02/09</p>									
$\nabla_C = 0$	GENERAL TOLERANCES (UNLESS SPECIFIED)											
$\nabla_P = 0$	ANGULAR TOL $\pm 2.0^\circ$											
DIVISIONAL SYMBOLS	4 PLACES	\pm	<p>PRODUCT CUSTOMER DRAWING</p> <p>DOCUMENT NUMBER: SD-73415-206</p> <p>DOC TYPE: PSD</p> <p>DOC PART: 001</p> <p>REVISION: B2</p> <p>MATERIAL NUMBER: GENERAL MARKET</p> <p>SHEET NUMBER: 4 OF 5</p>									
	3 PLACES	\pm										
	2 PLACES	\pm										
	1 PLACE	\pm										
	0 PLACES	\pm	DRAFT WHERE APPLICABLE MUST REMAIN WITHIN DIMENSIONS		THIRD ANGLE PROJECTION	DRAWING	SERIES	MATERIAL NUMBER			CUSTOMER	SHEET NUMBER
						C-SIZE	73415	GENERAL MARKET			4 OF 5	

molex

MMCX JACK, VERTICAL
PCB/SMT 50 OHMS MMCX-J/PCB

PRODUCT CUSTOMER DRAWING

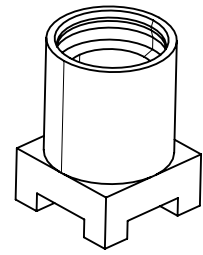
SD-73415-206

PSD 001 B2

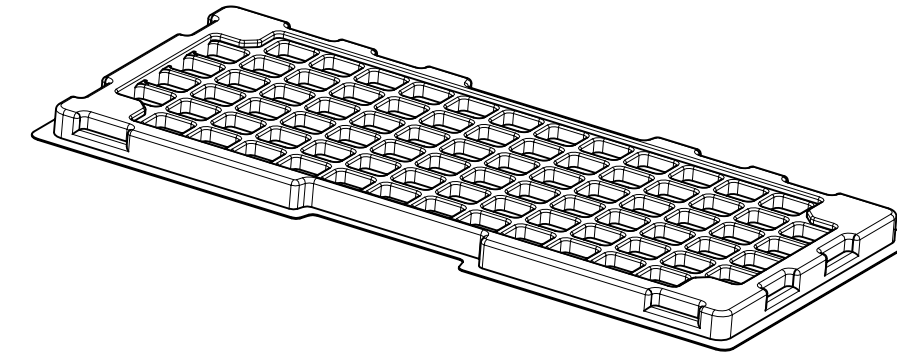
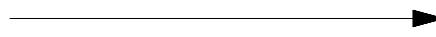
GENERAL MARKET

4 OF 5

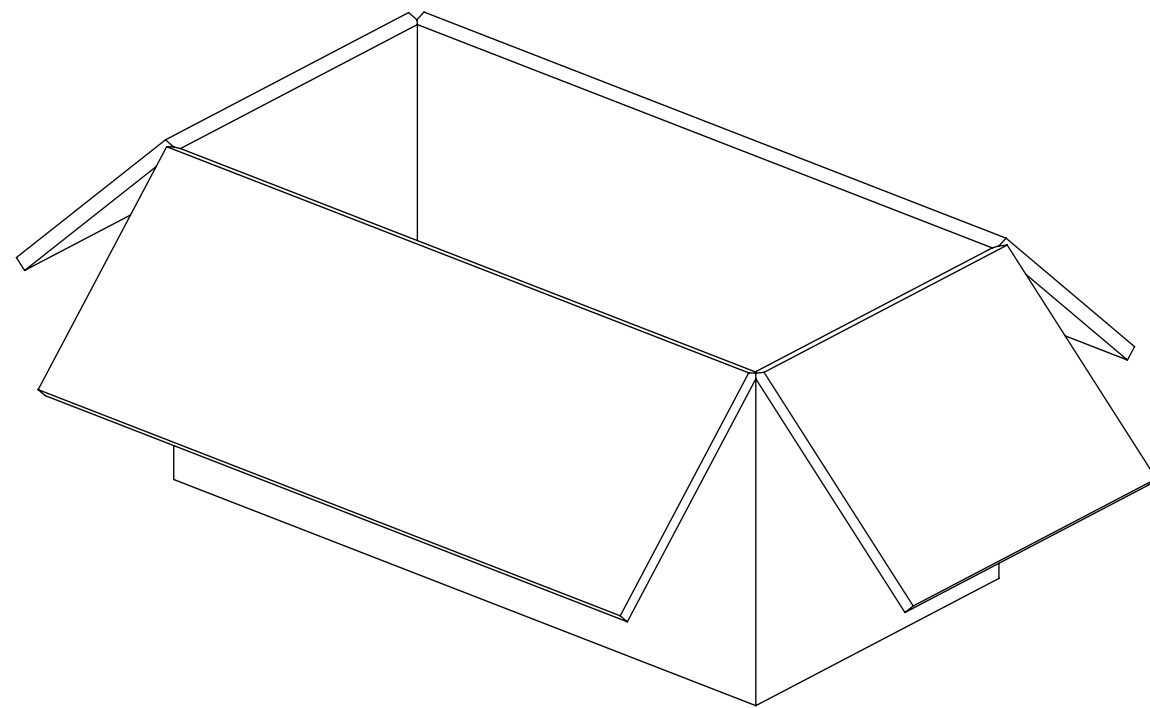
DOCUMENT STATUS P1 RELEASE DATE 2023/03/16 04:28:02



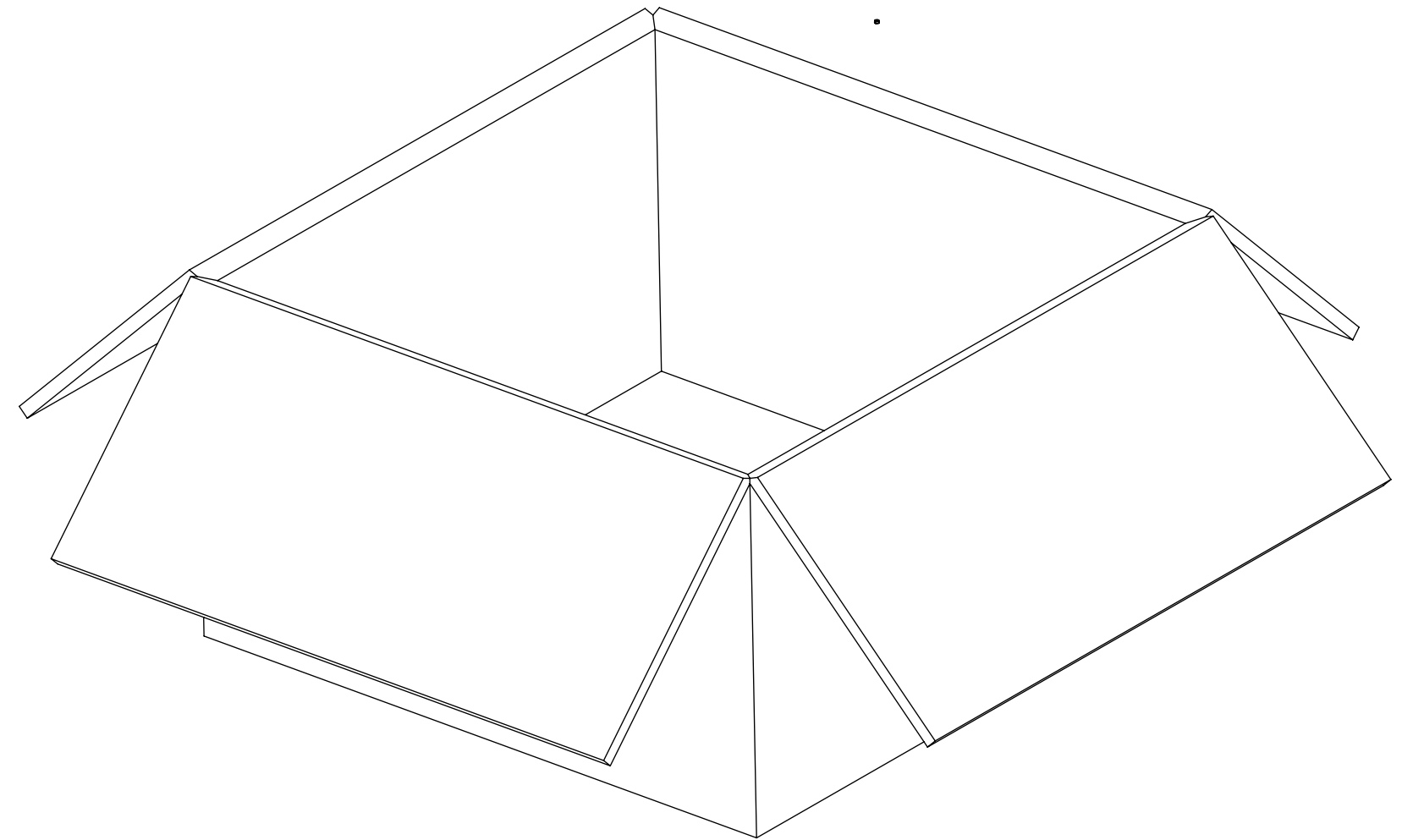
PART NO : 73415-2060
PART NO : 73415-2061



80 SET PER TRAY
P/N: 89707-0190



1600 SET PER INNER CARTON BOX
P/N: 96707-0001



3200 SET PER OUTER CARTON BOX
P/N: 96708-0005

FUNCTIONAL SYMBOLS										THIS DRAWING CONTAINS INFORMATION THAT IS PROPRIETARY TO MOLEX ELECTRONIC TECHNOLOGIES, LLC AND SHOULD NOT BE USED WITHOUT WRITTEN PERMISSION									
DIMENSION UNITS		SCALE		CURRENT REV DESC: EWR # 15708-A : ADDED PACKAGING SPEC FOR -2060 & -2061 PART NO															
MM/INCH		NTS		EC NO: 740907 DRWN: JSU18 2023/03/02 CHK'D: YCHENG 2023/03/16 APPR: YCHENG 2023/03/16 INITIAL REVISION: DRWN: TFLAHERTY 2006/02/09 APPR: JWIENER 2006/02/09															
GENERAL TOLERANCES (UNLESS SPECIFIED)																			
ANGULAR TOL ± 2.0°																			
4 PLACES ±				PRODUCT CUSTOMER DRAWING															
3 PLACES ±				DOCUMENT NUMBER															
2 PLACES ±				SD-73415-206															
1 PLACE ±				DOC TYPE															
0 PLACES ±				PSD															
DRAFT WHERE APPLICABLE MUST REMAIN WITHIN DIMENSIONS		THIRD ANGLE PROJECTION		DRAWING		SERIES		MATERIAL NUMBER		CUSTOMER		DOC PART		REVISION					
				C-SIZE		73415				GENERAL MARKET		001		B2					
														SHEET NUMBER					
														5 OF 5					