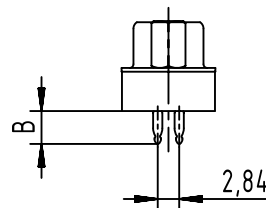
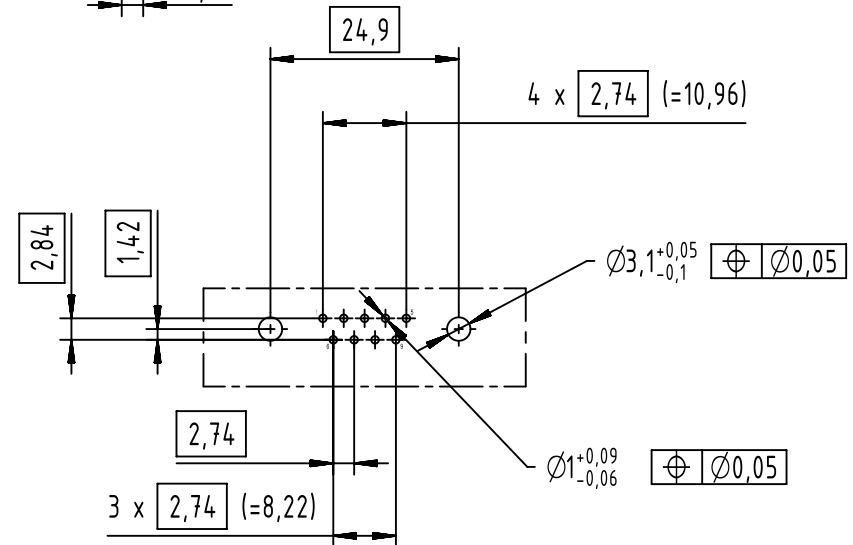
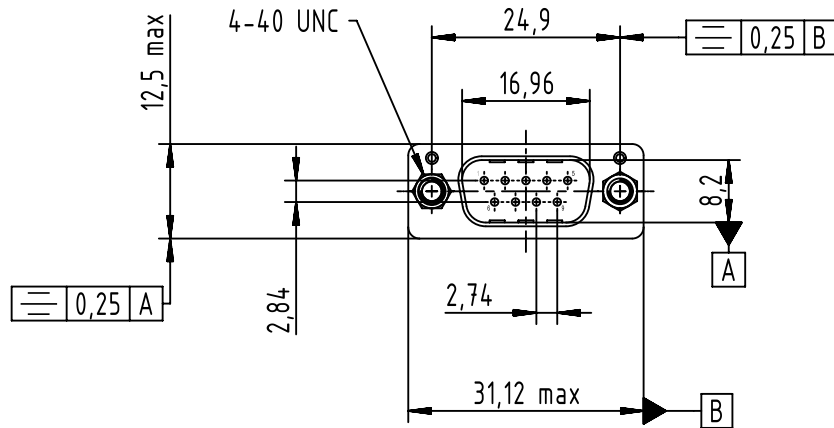


Mark for A=5,7 mm version



PC-Board layout
view component side
thickness up to 3,2 mm



All Dimensions in mm Original Size DIN A4		Scale 1:1	Free size tol.		Ref.
All rights reserved Department EC PD - FR		Created by DOUGE	Inspected by BAGDIKIAN	Standardisation HOFFMANN	Sub.
HARTING Electronics GmbH D-32339 Espelkamp		Title D-Sub 9-pole male straight press-in		Date 2014-04-04	State Final Release
Doc-Key / ECM-Nr. 10057124.0/UGD/001/A 500000072522		Type TB	Number 0966164X717		Rev. A
Page 1/1					

D	09661647717	3	5,7	4,35
	09661646717	2	5,7	4,35
	09661645717	S4 PdNi	5,7	4,35
	Port number	Performance Level	A +/- 0,2	B +/- 0,2