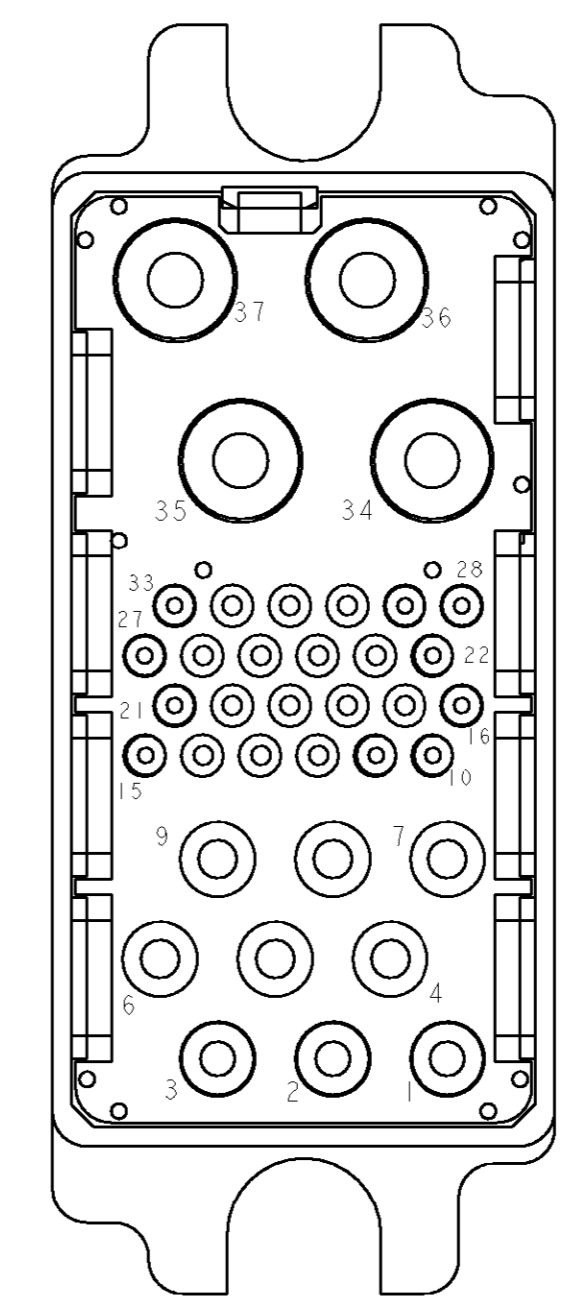
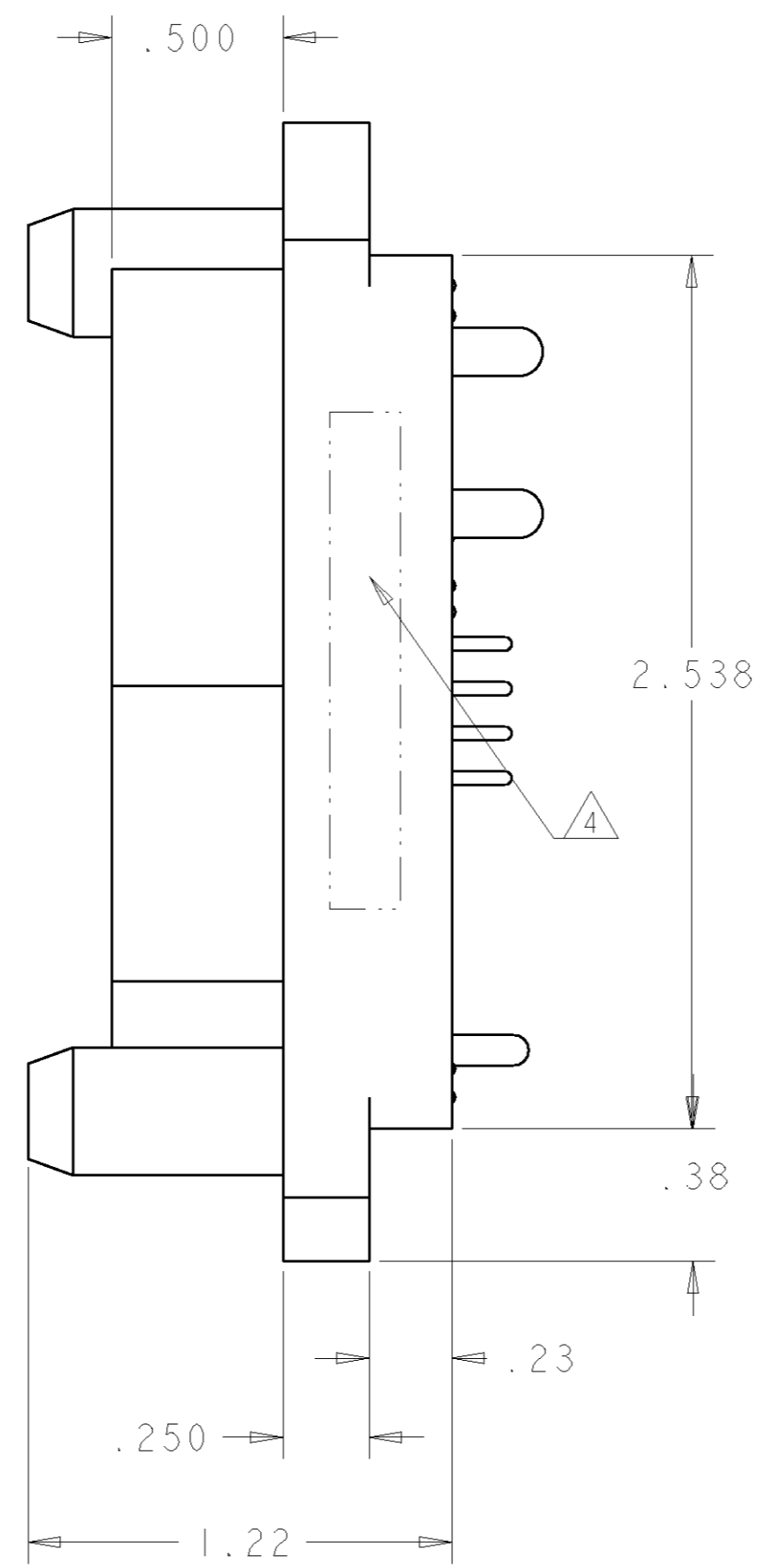
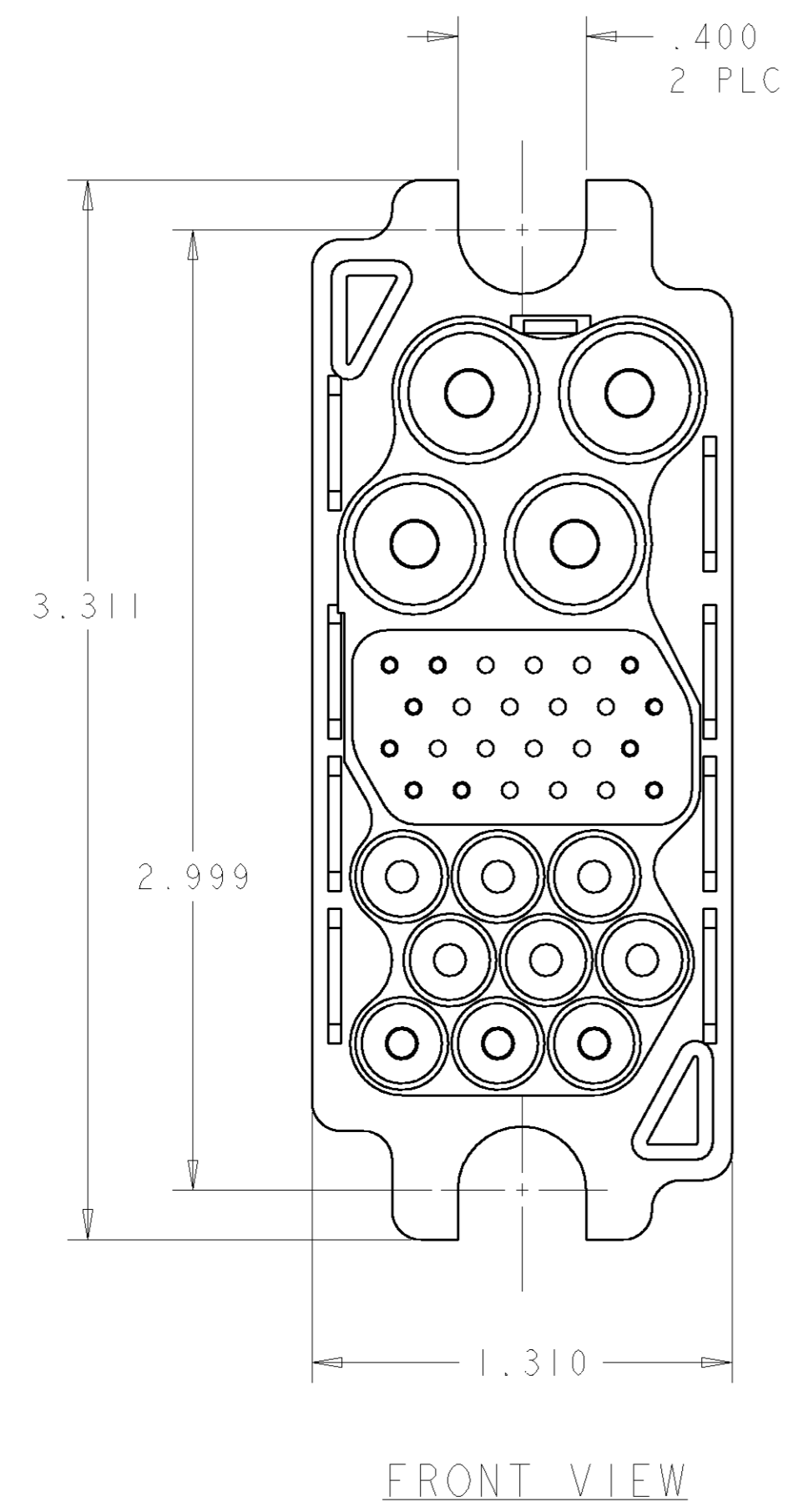


LOC	DIST	REVISIONS			
P	LTR	DESCRIPTION	DATE	DWN	APVD
GP	00	A	RELEASED	19JULY06	RG DO
		B	REV PER ECO-07-011934	15MAY2007	JRP PD



- PIN CONTACT, (B) (5)  
 SIZE #8  
 POSN. 34 THRU 37
- PIN CONTACT, (C) (D) (5)  
 SIZE #20  
 STD - POSN. 11, 15, 16, 21  
 POSN. 27, 28, 29 & 33  
 POSTMATE - POSN. 10 & 22
- PIN CONTACT, (E) (F) (5)  
 SIZE #12  
 POSTMATE - POSN. 1 & 2  
 PREMATE - POSN. 3

**ELCON 75A MIDDLE DRAWER**

AS SHOWN	1926181-1
DESCRIPTION	PART NUMBER

THIS DRAWING IS A CONTROLLED DOCUMENT FOR TYCO ELECTRONICS CORPORATION IT IS SUBJECT TO CHANGE AND THE CONTROLLING ENGINEERING ORGANIZATION SHOULD BE CONTACTED FOR THE LATEST REVISION.		DWN R. GRZYBOWSKI 19JULY06 CHK D. ORRIS 19JULY06 APVD D. ORRIS 19JULY06	<b>tyco</b> Tyco Electronics <b>Electronics</b> Harrisburg, PA 17105-3608
DIMENSIONS: INCHES	TOLERANCES UNLESS OTHERWISE SPECIFIED: 0 PLC ± 1 PLC ± 2 PLC ±.02 3 PLC ±.010 4 PLC ±0.0005 ANGLES ±.5 FINISH	PRODUCT SPEC - APPLICATION SPEC - WEIGHT -	NAME CONNECTOR, PIN PCB TAIL 75 AMP MIDDLE DRAWER
MATERIAL		CUSTOMER DRAWING	SIZE A2 CAGE CODE 00779 DRAWING NO. C-1926181 RESTRICTED TO - SCALE 4:1 SHEET 1 OF 2 REV B

