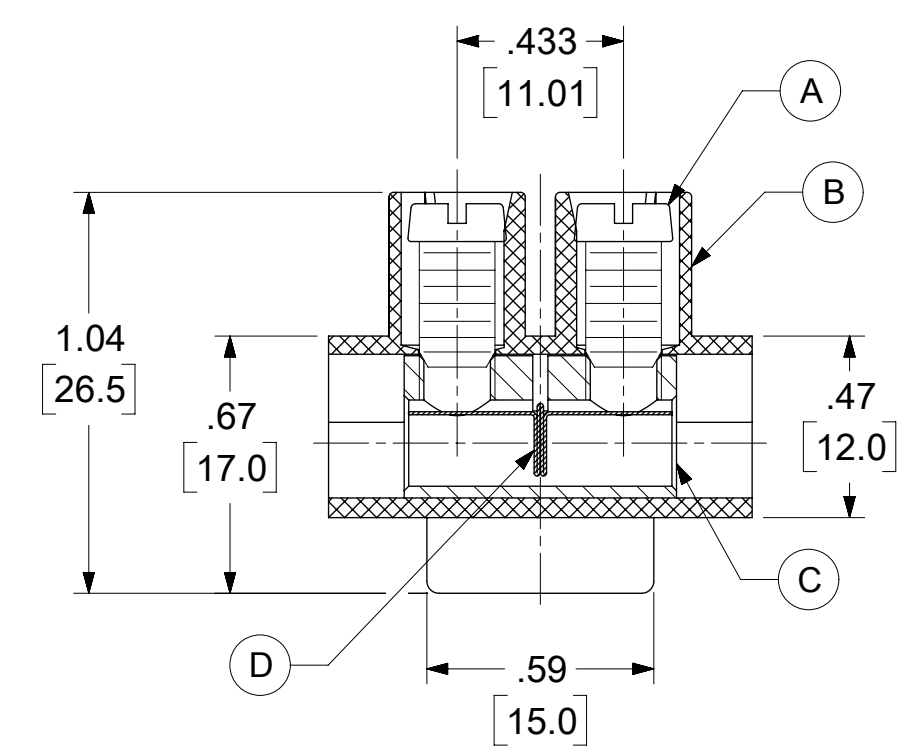
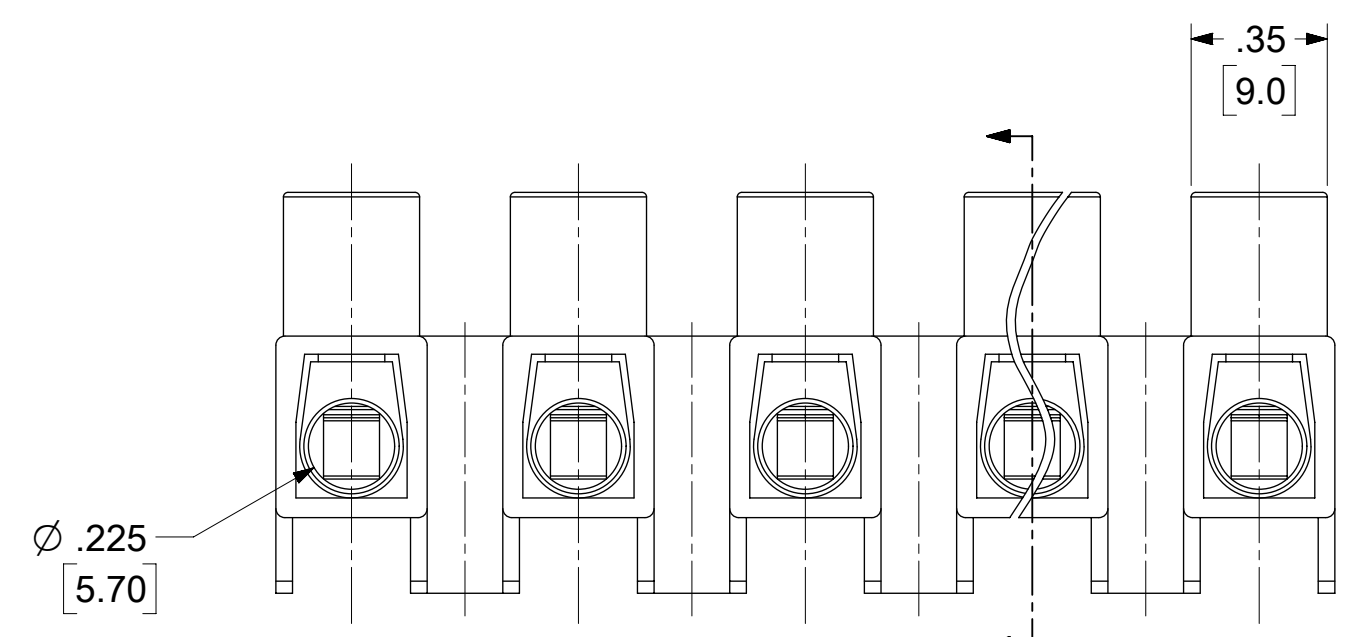
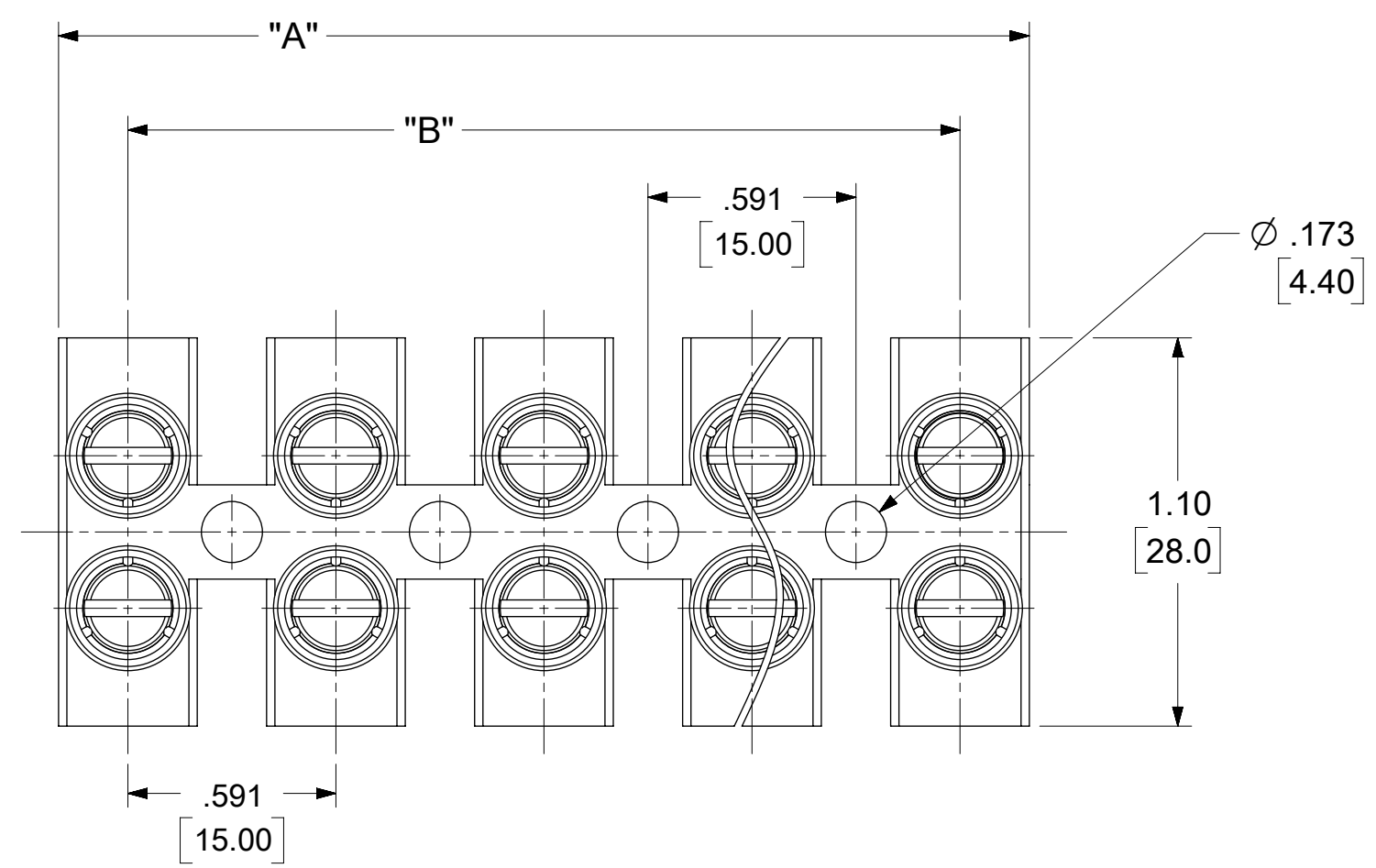


PART NUMBER DATA										
CIRCUITS	PART NUMBER	ENGINEERING NUMBER	COLOR	PART NUMBER	ENGINEERING NUMBER	COLOR	"A"		"B"	
							IN	mm	IN	mm
2	391002502	M800-04-02-5-M1	WHITE	391002522	M800-04-02-1-M1	BLACK	.98	25.00	.591	15.00
3	391002503	M800-04-03-5-M1	WHITE	391002523	M800-04-03-1-M1	BLACK	1.57	40.00	1.181	30.00
4	391002504	M800-04-04-5-M1	WHITE	391002524	M800-04-04-1-M1	BLACK	2.17	55.00	1.772	45.00
5	391002505	M800-04-05-5-M1	WHITE	391002525	M800-04-05-1-M1	BLACK	2.76	70.00	2.362	60.00
6	391002506	M800-04-06-5-M1	WHITE	391002526	M800-04-06-1-M1	BLACK	3.35	85.00	2.953	75.00
7	391002507	M800-04-07-5-M1	WHITE	391002527	M800-04-07-1-M1	BLACK	3.94	100.00	3.543	90.00
8	391002508	M800-04-08-5-M1	WHITE	391002528	M800-04-08-1-M1	BLACK	4.53	115.00	4.134	105.00
9	391002509	M800-04-09-5-M1	WHITE	391002529	M800-04-09-1-M1	BLACK	5.12	130.00	4.724	120.00
10	391002510	M800-04-10-5-M1	WHITE	391002530	M800-04-10-1-M1	BLACK	5.71	145.00	5.315	135.00
11	391002511	M800-04-11-5-M1	WHITE	391002531	M800-04-11-1-M1	BLACK	6.30	160.00	5.906	150.00
12	391002512	M800-04-12-5-M1	WHITE	391002532	M800-04-12-1-M1	BLACK	6.89	175.00	6.496	165.00



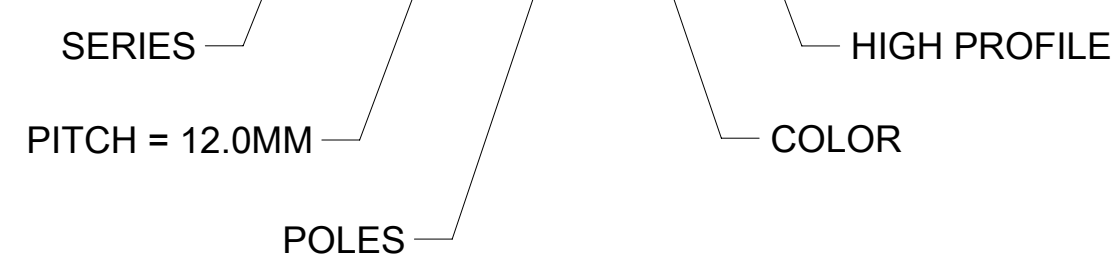
C5

REF. LAST 2 DIGITS OF PART NUMBER EQUAL CIRCUIT COUNT

NOTE: IF THIS PRODUCT IS STORED IN AN ENVIRONMENT WITH A RELATIVE HUMIDITY OF LESS THAN 50%, MOISTURE MUST BE ADDED. REFER TO TECHNICAL ADVISORY AS 45499-001 FOR INSTRUCTIONS.

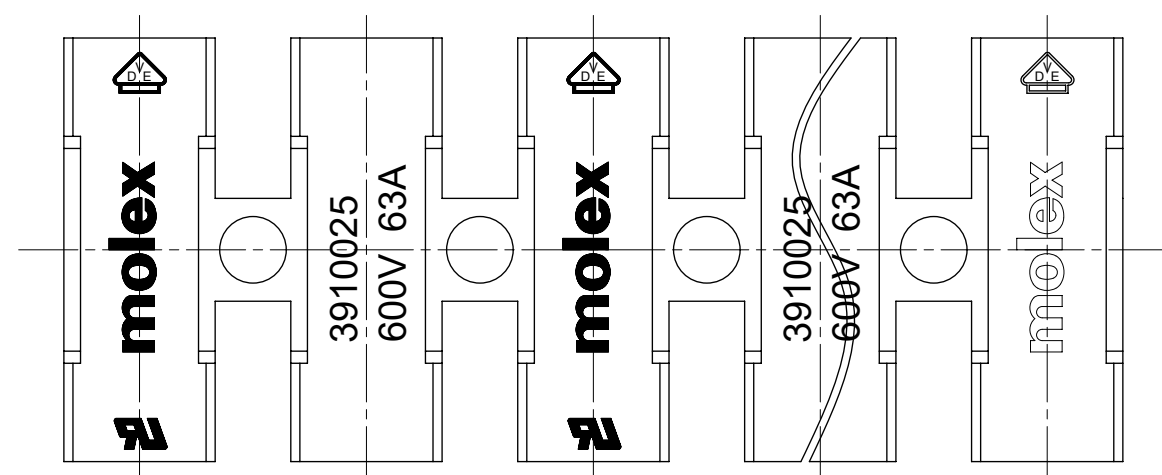
ENGINEERING NUMBER LEGEND

M800 - 04 - XX - X - M1



SPECIFICATIONS

- MATERIAL:
 - (A). SCREW: STEEL, M3, ZINC PLATED
 - (B). BODY : PA66, UL94 V-0
 - (C). CAGE: BRASS, NICKEL PLATED
 - (D). TERMINAL: STAINLESS STEEL
- RATING: 600V, 63 AMPS
- WIRE RANGE: 14-6 AWG
- MAX TORQUE: 20.0 IN LBS
- DIELECTRIC VOLTAGE WITHSTAND: DC 3000V FOR 1 MINUTE
- INSULATION RESISTANCE: DC 1000V, 100GΩ
- RATED IMPULSE VOLTAGE: 6000V, PLUS AND MINUS 5 TIMES EACH
- STRIP LENGTH: .31 IN. (8.0mm)
- OPERATING TEMPERATURE: -40°C TO +105°C
- CONTACT RESISTANCE: <3mΩ
- ALL DIMS SHOWN ARE FOR REFERENCE ONLY



TOLERANCES			
MM	TOL	INCH	TOL
0-6	±0.25	0-.24	±.010
>6-30	±0.40	.24-1.18	±.016
>30-120	±0.50	1.18-4.76	±.020
>120	±0.80	>4.76	±.031

FUNCTIONAL SYMBOLS	THIS DRAWING CONTAINS INFORMATION THAT IS PROPRIETARY TO MOLEX ELECTRONIC TECHNOLOGIES, LLC AND SHOULD NOT BE USED WITHOUT WRITTEN PERMISSION	CURRENT REV DESC: ADDED PNS OF BLACK COLOR PARTS		molex																
	<table border="1"> <tr> <th>DIMENSION UNITS</th> <th>SCALE</th> </tr> <tr> <td>INCH/MM</td> <td>2:1</td> </tr> <tr> <th colspan="2">GENERAL TOLERANCES (UNLESS SPECIFIED)</th> </tr> <tr> <td>4 PLACES</td> <td>± --- ± ---</td> </tr> <tr> <td>3 PLACES</td> <td>± --- ± SEE CHART</td> </tr> <tr> <td>2 PLACES</td> <td>± SEE CHART ± SEE CHART</td> </tr> <tr> <td>1 PLACE</td> <td>± CHART ± ---</td> </tr> <tr> <td>0 PLACES</td> <td>± --- ± ---</td> </tr> <tr> <td>ANGULAR TOL</td> <td>± ---</td> </tr> </table>	DIMENSION UNITS	SCALE		INCH/MM	2:1	GENERAL TOLERANCES (UNLESS SPECIFIED)		4 PLACES	± --- ± ---	3 PLACES	± --- ± SEE CHART	2 PLACES	± SEE CHART ± SEE CHART	1 PLACE	± CHART ± ---	0 PLACES	± --- ± ---	ANGULAR TOL	± ---
DIMENSION UNITS	SCALE																			
INCH/MM	2:1																			
GENERAL TOLERANCES (UNLESS SPECIFIED)																				
4 PLACES	± --- ± ---																			
3 PLACES	± --- ± SEE CHART																			
2 PLACES	± SEE CHART ± SEE CHART																			
1 PLACE	± CHART ± ---																			
0 PLACES	± --- ± ---																			
ANGULAR TOL	± ---																			
DIVISIONAL SYMBOLS	<table border="1"> <tr> <th>DRAFT WHERE APPLICABLE MUST REMAIN WITHIN DIMENSIONS</th> <th>THIRD ANGLE PROJECTION</th> <th>DRAWING</th> <th>SERIES</th> <th>MATERIAL NUMBER</th> <th>CUSTOMER</th> <th>SHEET NUMBER</th> </tr> <tr> <td></td> <td></td> <td>C-SIZE</td> <td>39100</td> <td>SEE CHART</td> <td>GENERAL MARKET</td> <td>1 OF 1</td> </tr> </table>	DRAFT WHERE APPLICABLE MUST REMAIN WITHIN DIMENSIONS	THIRD ANGLE PROJECTION	DRAWING	SERIES	MATERIAL NUMBER	CUSTOMER	SHEET NUMBER			C-SIZE	39100	SEE CHART	GENERAL MARKET	1 OF 1	INITIAL REVISION: DRWN: RSTONE APPR: JFMURPHY 2014/07/11 2014/07/21				
DRAFT WHERE APPLICABLE MUST REMAIN WITHIN DIMENSIONS	THIRD ANGLE PROJECTION	DRAWING	SERIES	MATERIAL NUMBER	CUSTOMER	SHEET NUMBER														
		C-SIZE	39100	SEE CHART	GENERAL MARKET	1 OF 1														