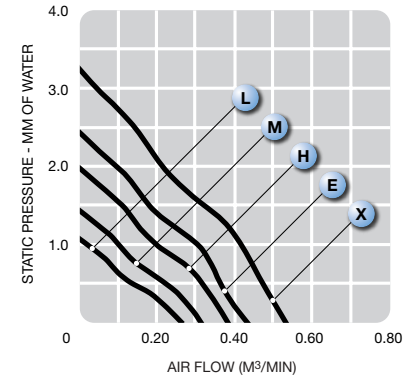
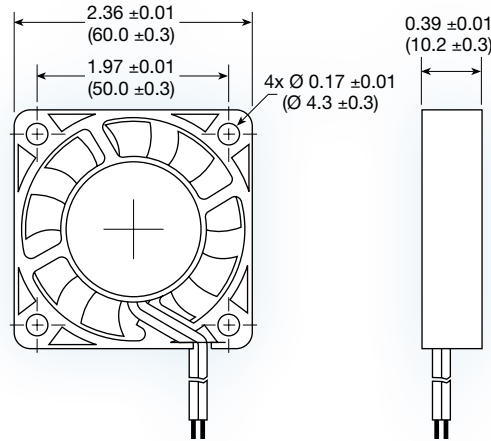


MB6010 series

THIN PROFILE



(60 x 60 x 10 mm)
2.36 x 2.36 x 0.39 inches

Construction: UL94V-0 PBT impeller & frame

Bearing option: ball bearing

Connection: AWG 26, UL1007 lead wires

Frame: ribbed

Protection: thermal

Options: tachometer output or locked rotor alarm signal

Model No.	Rated Voltage V	Operating Voltage V	Current mA	Speed RPM	Air Volume		Max. Static Pressure (H ₂ O)		Sound Noise dbA	Weight g
					M ³ /Min.	CFM	MM	INCH		
MB6010L	12	6 - 13.8	50	2,700	0.27	9.35	1.07	0.04	19.0	26
MB6010M	12	6 - 13.8	80	3,200	0.31	11.04	1.43	0.06	22.5	26
MB6010H	12	6 - 13.8	120	3,900	0.38	13.48	1.98	0.08	28.0	26
MB6010E	12	6 - 13.8	140	4,400	0.43	15.30	2.43	0.10	30.5	26
MB6010X	12	6 - 13.8	160	5,300	0.53	18.65	3.22	0.13	35.0	26