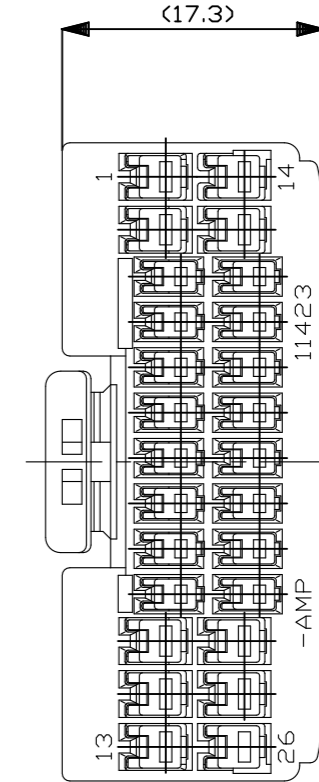
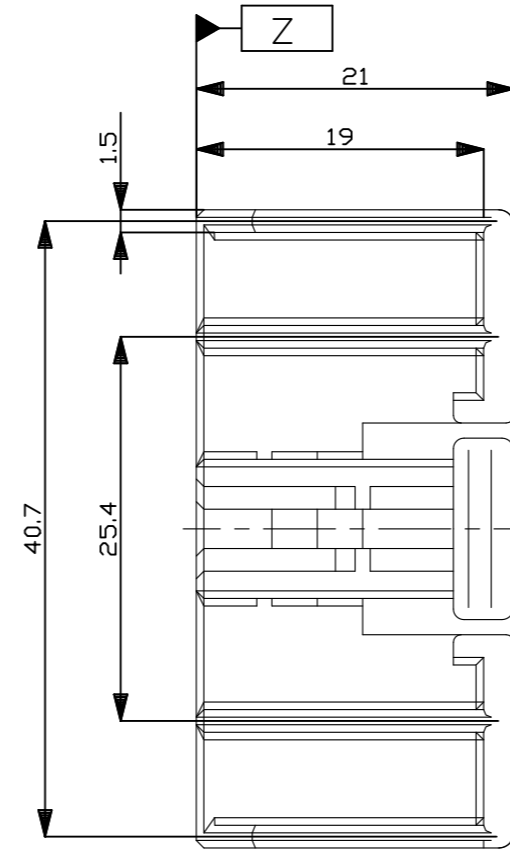
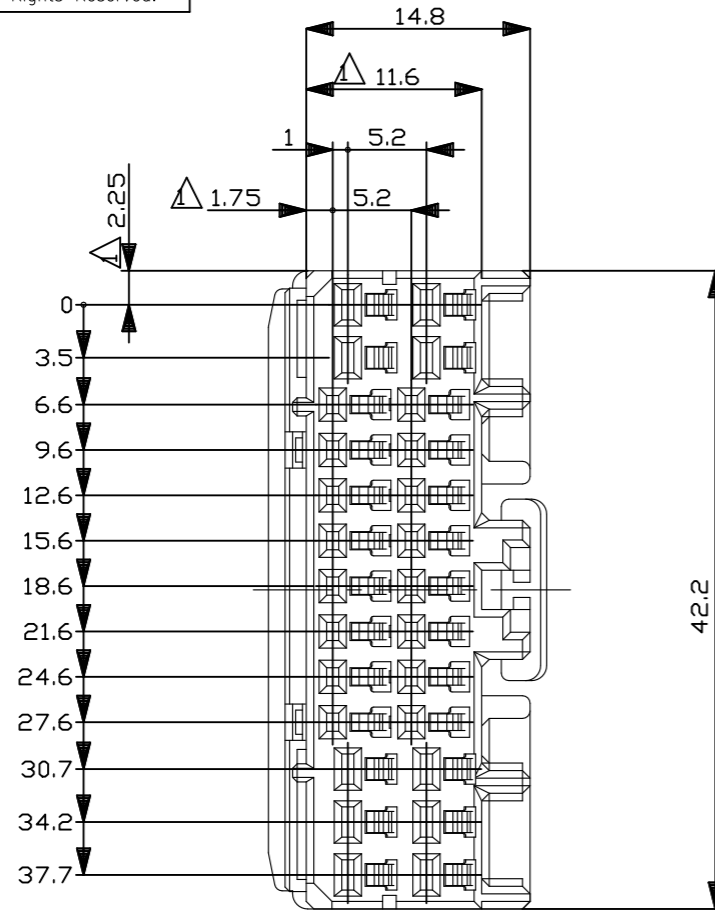


P	LTR	DESCRIPTION	DATE	DWN	APVD
	A2	REVISED PER ECR-23-165252	02FEB2023	RK	MT

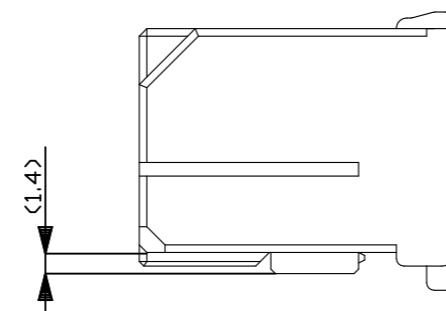


NOTES;

- 1. MUST BE KEPT BETWEEN [Z] AND 2mm.
- 2. THE MATING CAP HOUSING PART NUMBER;176242
- 3. APPLIED CONTACT PART NUMBER .040:175265,175266  
.070:175275,175276,175268,175269
- 4.APPLICABLE PRODUCT SPEC;108-5342
- RETAINER COLOR.7ALL WHITE

注:

- 1. [Z] 面より2mmの範囲で測定
- 2. 嵌合相手ハウジング型番:176242
- 3. 内装するリセプタクル型番:.040端子:175265,175266  
.070端子:175275,175276,175268,175269
- 4.適用製品規格:108-5342
- リテーナは全て白色



	灰 (DARK GRAY)	917994-6
	青 (BLUE)	917994-5
OBSOLETE	橙 (BRANGE)	917994-3
OBSOLETE	黒 (BLACK)	917994-2
	白 (WHITE)	917994-1
	色 (COLOR)	型番 (P/N)

THIS DRAWING IS A CONTROLLED DOCUMENT.		DWN T.SHINOHARA 5/22'95	TE Connectivity					
DIMENSIONS: mm		CHK D.MATSUURA 5/19'95						
TOLERANCES UNLESS OTHERWISE SPECIFIED:		APVD A.TOMITA 5/22'95	NAME .040/.070 HYBRID I/O CONN. MK-II 26Pos. PLUG HOUSING (OUT RIB)					
		PRODUCT SPEC -	APPLICATION SPEC -					
MATERIAL PBT		FINISH SEE TABLE	SIZE A3	CAGE CODE 00779	DRAWING NO C-917994	RESTRICTED TO -		
(GENERAL TOLERANCE) 10以下: ±0.2 10<#>30以下: ±0.25 30<#>100以下: ±0.3 角度 ±3°			CUSTOMER DRAWING			SCALE 2:1	SHEET 1 OF 1	REV A2