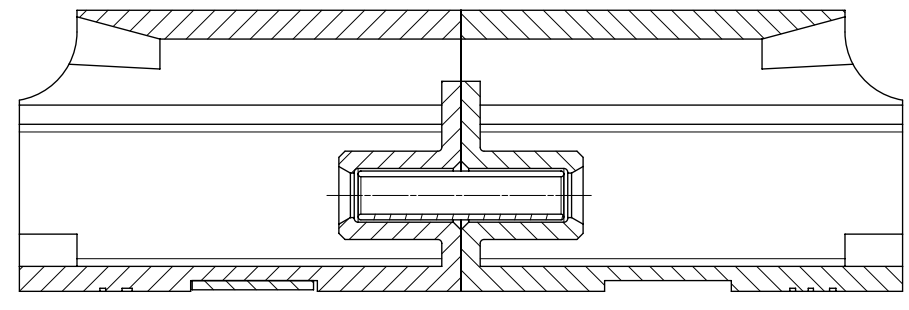
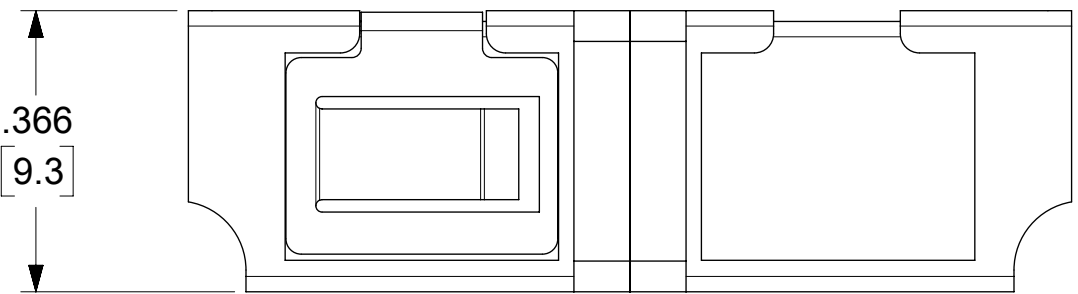
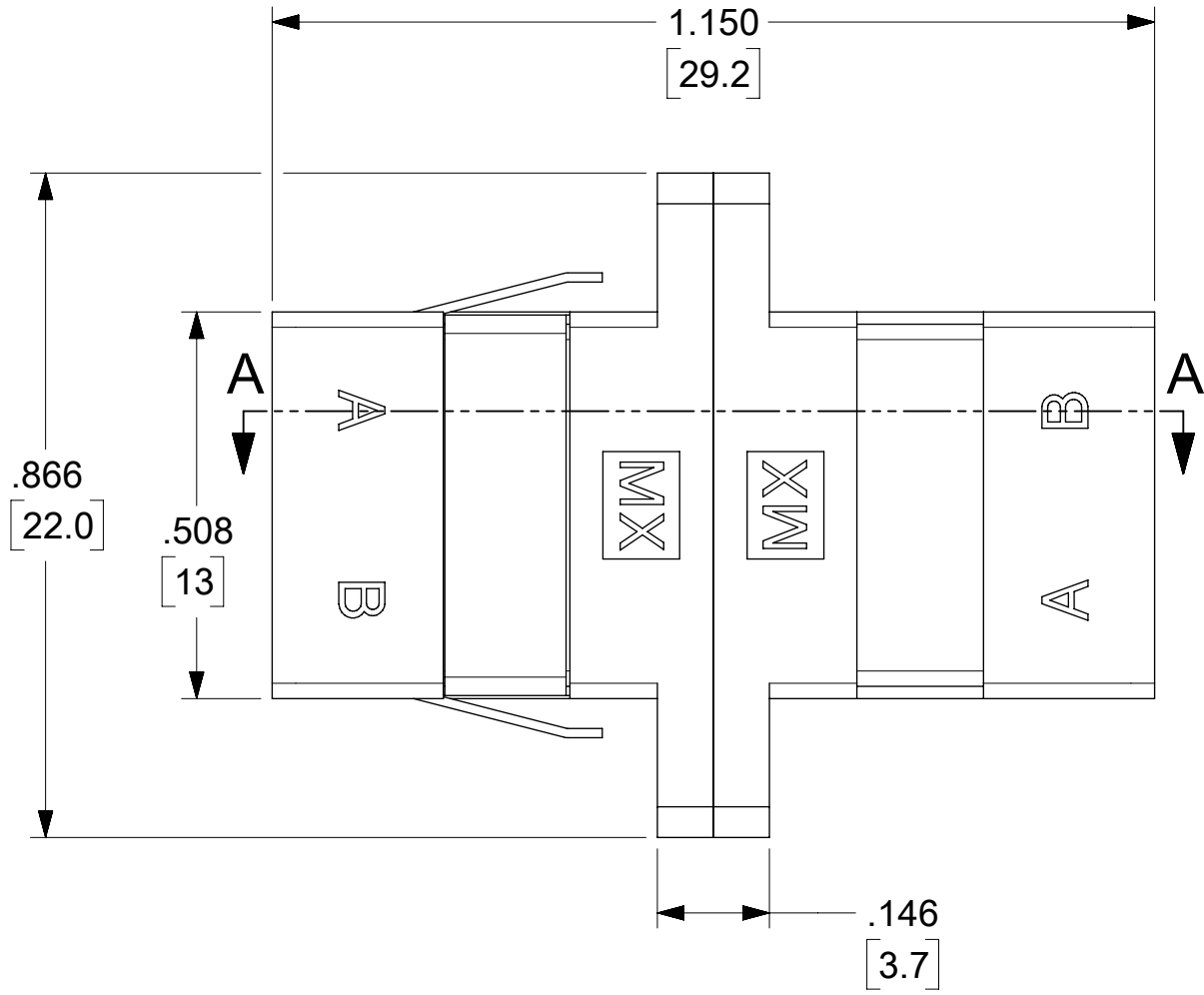
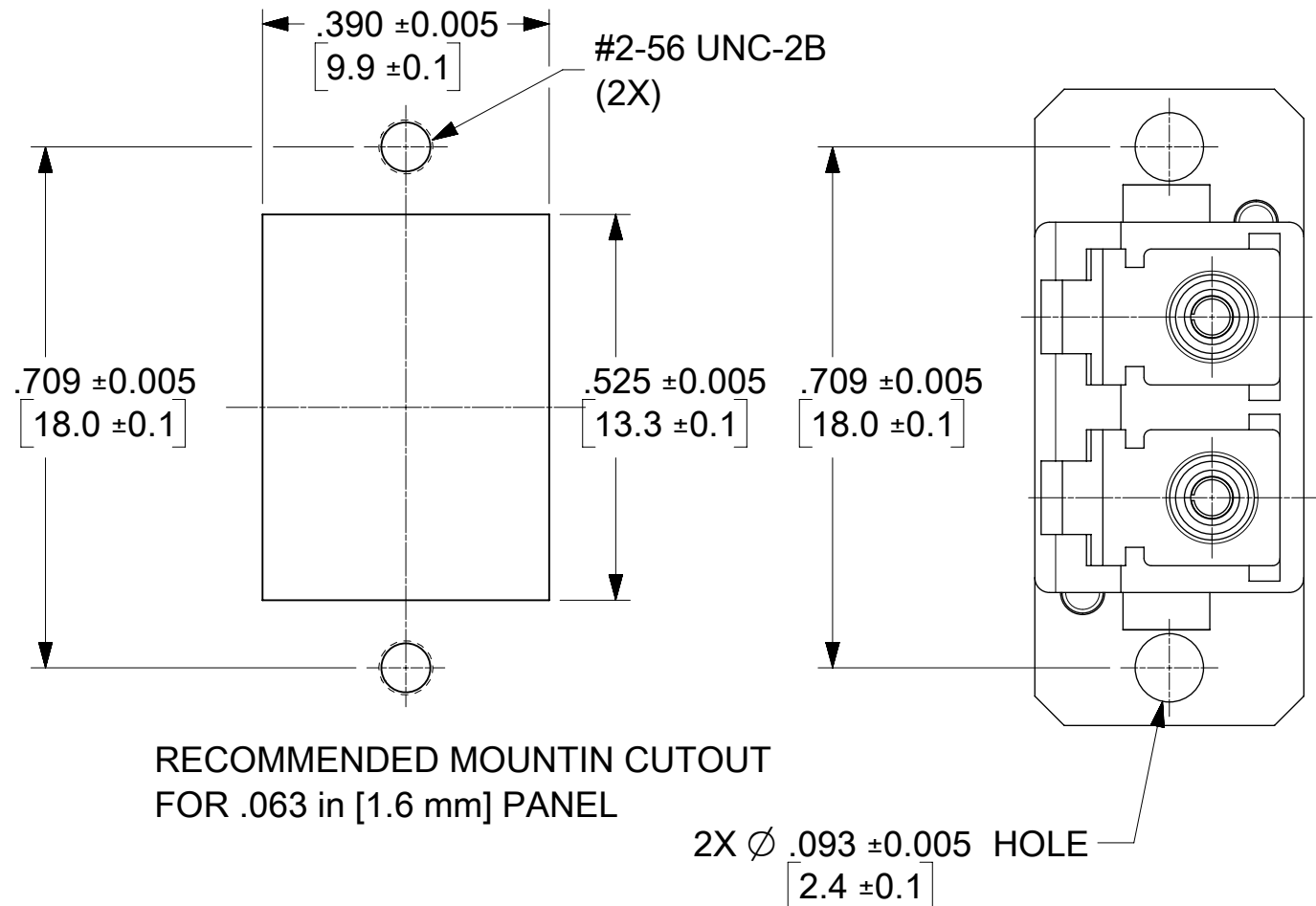
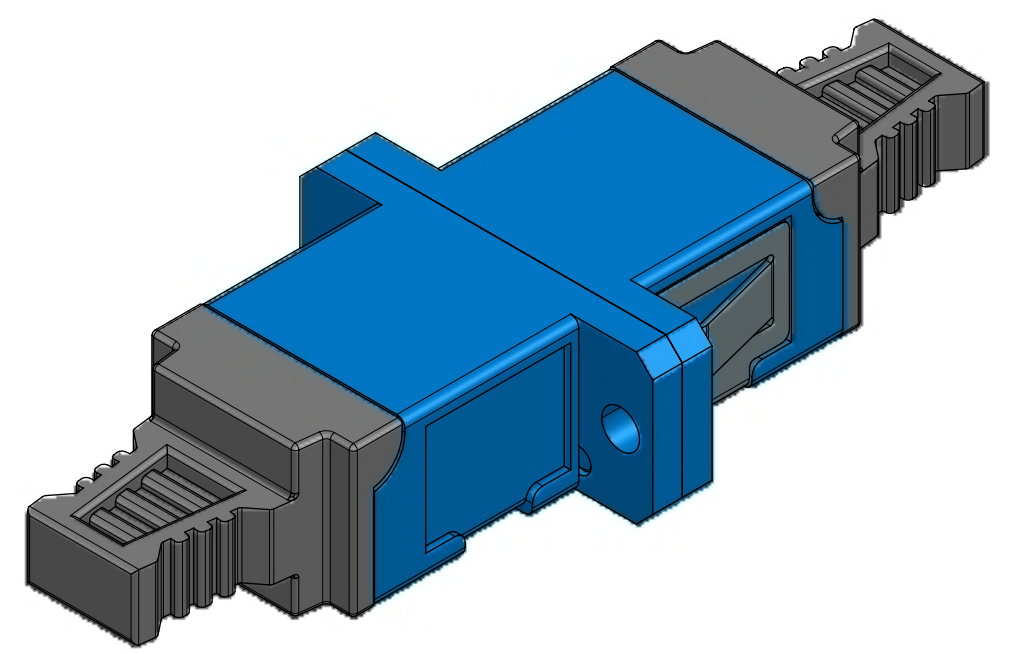
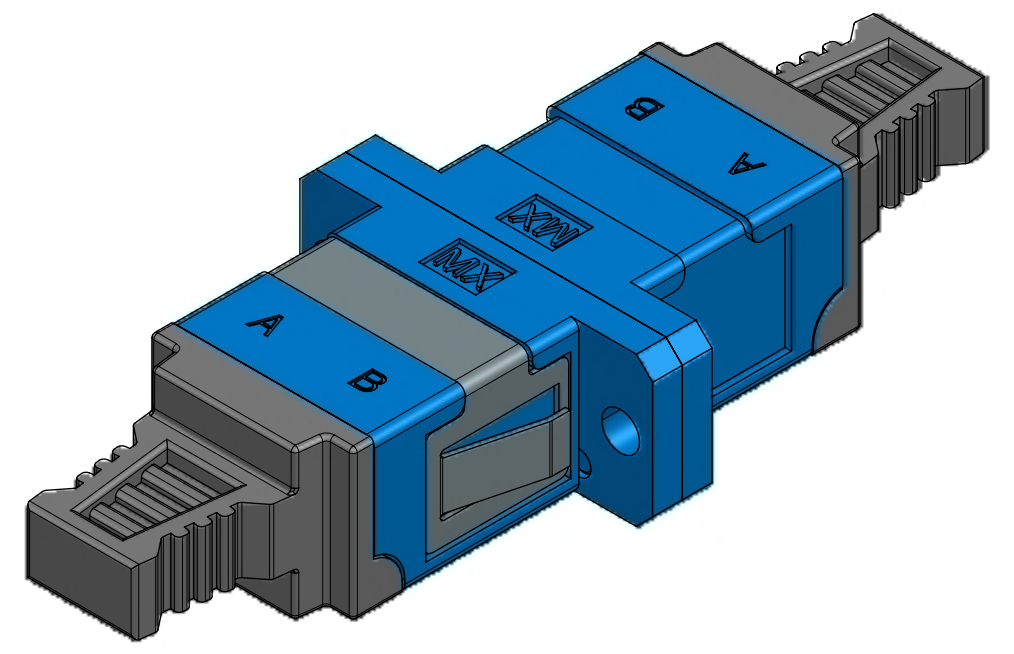


LC ADAPTER P/N	ADAPTER COLOR	LC SLEEVE MATERIAL
1061261300	BLUE	ZR
1061261310 (see note 3)		
1061260310	BEIGE	
1061260320 (see note 3)		
1061261350	GREEN	
1061261320 (see note 3)		
1061261330	BEIGE	
1061261340	BLACK	



SECTION A-A



- NOTES:
1. ALL DIMENSIONS WITHOUT TOLERANCE ARE FOR REFERENCE ONLY.
 2. DUST CAPS ARE SHOWN IN ISOMETRIC VIEWS ONLY.
 3. P/NS 1061260320 & 1061261310 ARE BULK PACKED IN QUANTITIES OF 100 pcs.
P/N 1061261320 IS BULK PACKED IN QUANTITY OF 25pcs.

FUNCTIONAL SYMBOLS		THIS DRAWING CONTAINS INFORMATION THAT IS PROPRIETARY TO MOLEX ELECTRONIC TECHNOLOGIES, LLC AND SHOULD NOT BE USED WITHOUT WRITTEN PERMISSION		CURRENT REV DESC:		molex	
FA = 0	INCH/MM	SCALE	4:1	EC NO: 652962			
FC = 0	GENERAL TOLERANCES (UNLESS SPECIFIED)			DRWN: SKRISHNAMU01		2021/05/31	
FD = 0	ANGULAR TOL ± °			CHK'D: WCHEN		2021/08/24	
DIVISIONAL SYMBOLS		4 PLACES ±		APPR: WCHEN		2021/08/24	
		3 PLACES ± 0.005		INITIAL REVISION:		DOCUMENT NUMBER	
		2 PLACES ±		DRWN: PGIBLIN		SD-106126-X3X0	
		1 PLACE ±		APPR: IGUMIN		DOC TYPE DOC PART REVISION	
		0 PLACES ±		DRAFT WHERE APPLICABLE MUST REMAIN WITHIN DIMENSIONS		PSD 001 B	
		THIRD ANGLE PROJECTION		DRAWING		MATERIAL NUMBER CUSTOMER SHEET NUMBER	
		C-SIZE		SERIES		SEE TABLE 106126 1 OF 1	