

4

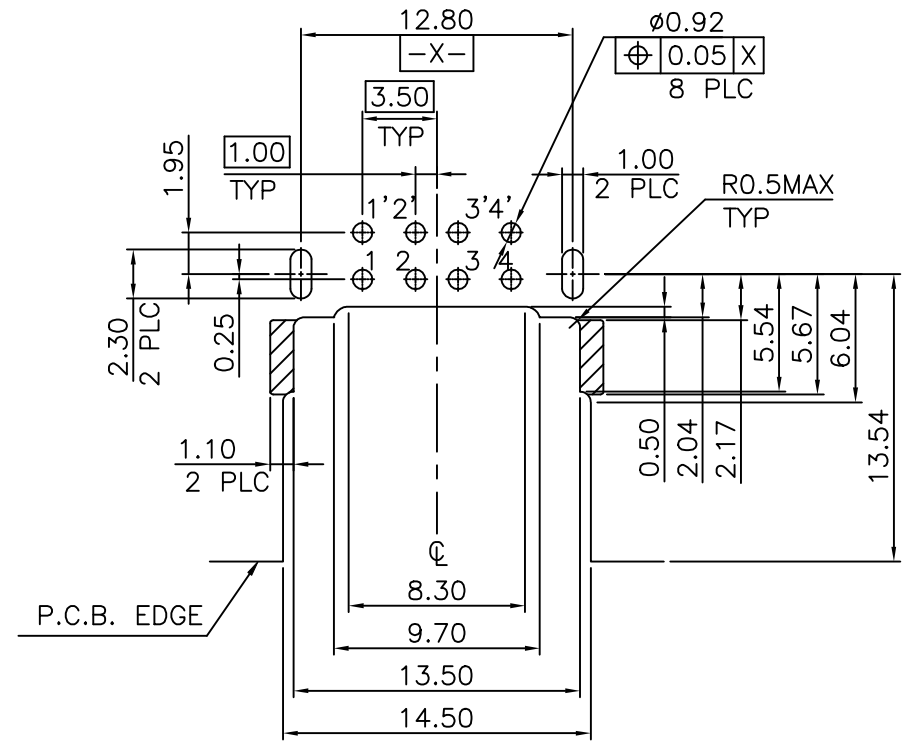
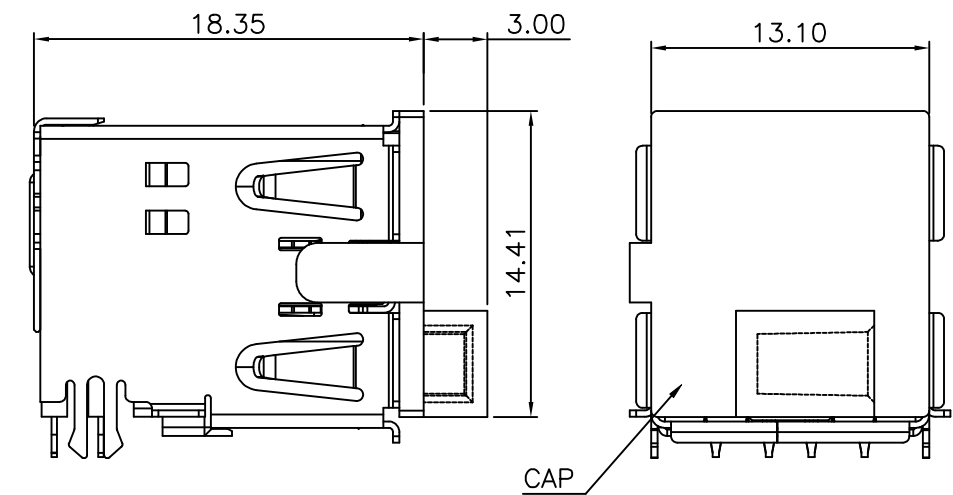
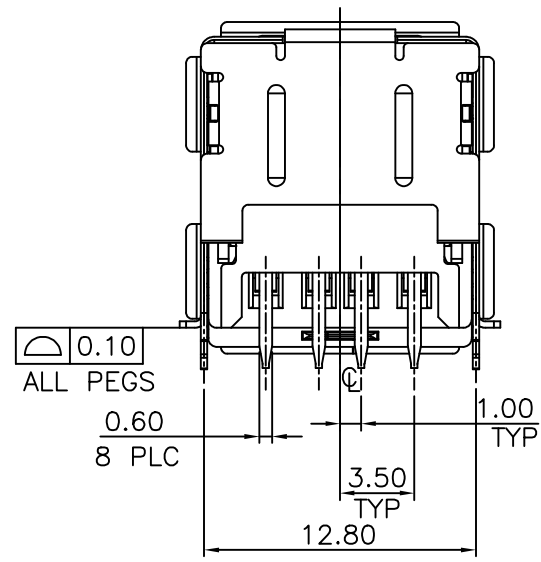
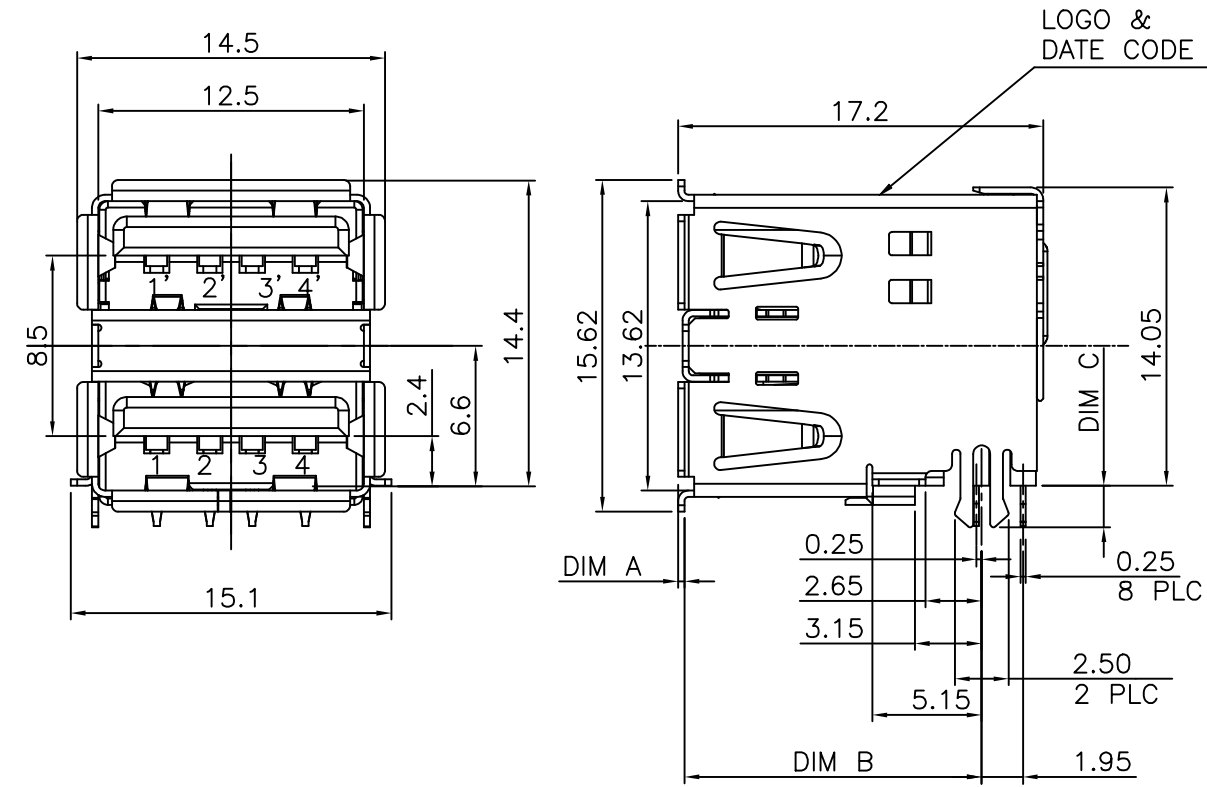
3

2

1

THIS DRAWING IS UNPUBLISHED. RELEASED FOR PUBLICATION  
 © COPYRIGHT BY TYCO ELECTRONICS CORPORATION. ALL RIGHTS RESERVED.

LOC	DIST	REVISIONS				
P	LTR	DESCRIPTION	DATE	DWN	APVD	
DW		G8	REVISED (ECR-18-009050)	05JUL18	T.Z	S.L



RECOMMEND P.C.B LAYOUT (THICKNESS 1.2~1.4mm)  
 (COMPONENT SIDE) TOLERANCE ±0.05mm

- NOTES:
- MATERIAL:
    - HOUSING: PA9T WITH 33% GF, UL 94V-0 RATED, BLACK COLOR.
    - SPACER: PA9T WITH 33% GF, UL 94V-0 RATED, BLACK COLOR.
    - CAP: PA9T WITH 33% GF, UL 94V-0 RATED, BLACK COLOR.
    - CONTACT: PHOSPHOR BRONZE.
    - FRONT SHIELD: SUS304 1/2H.
    - REAR SHIELD: SPCC
    - GROUNDING STRIP: SUS304 1/2H
  - FINISH:
    - CONTACT: 0.762mm [30m"] MIN. GOLD PLATING ON CONTACT AREA. 3.048mm [120m"] MIN. MATTE TIN PLATING ON SOLDER TAILS, WITH ENTIRE CONTACT UNDERPLATED 1.27mm [50m"] MIN. NICKEL.
    - FRONT SHIELD: 0.762mm [30m"] MIN. SOLERABLE NICKEL PLATING OVERALL.
    - REAR SHIELD: 0.762mm [30m"] MIN. NICKEL PLATING. 0.762mm [30m"] MIN. Cu UNDER PLATING OVERALL.
    - GROUNDING STRIP: 0.762mm [30m"] MIN. SOLDERABLE NICKEL PLATING OVERALL.
  - REFLOW SOLDER CAPABLE TO 260°C PER TE SPEC 109-201, CONDITION B.

DIM C	DIM B	DIM A	CAP	PACKAGE	PART NUMBER	NOTE
1.90	14.30	0	W/	TAPE & REEL	1734062-3	
2.20	13.95	0.35	W/O	TUBE	1734062-2	OBSOLETE
				TAPE & REEL	1734062-1	OBSOLETE

THIS DRAWING IS A CONTROLLED DOCUMENT.		DWN	F. YANG	10SEP2009	TE Connectivity	
DIMENSIONS: MM		CHK	S. CHIEN	10SEP2009		
TOLERANCES UNLESS OTHERWISE SPECIFIED:		APVD	W. KODAMA	10SEP2009	NAME	
0 PLC ± - 1 PLC ± 0.35 2 PLC ± 0.25 3 PLC ± - 4 PLC ± - ANGLES ± 3°		PRODUCT SPEC		108-57481		
MATERIAL		QUALIFICATION TEST REPORT		501-57557		
SEE NOTE		FINISH		SEE NOTE		
		WEIGHT		4.71 GRAMS		
		CUSTOMER DRAWING		SCALE		
		SHEET		1 of 24		
		REV		G8		

4

3

2

1

THIS DRAWING IS UNPUBLISHED.

RELEASED FOR PUBLICATION

© COPYRIGHT BY TYCO ELECTRONICS CORPORATION.

ALL RIGHTS RESERVED.

LOC DW

DIST

REVISIONS

P	LTR	DESCRIPTION	DATE	DWN	APVD
		SEE SHEET 1.			

NOTE:

- MATERIAL:  
HOUSING: PART WITH 30% GF, UL 94V-0 RATED, BLACK COLOR.  
SPACER: PART WITH 30% GF, UL 94V-0 RATED, BLACK COLOR.  
CONTACT: PHOSPHOR BRONZE.  
FRONT SHIELD: BRASS.  
REAR SHIELD: SPCC.  
GROUNDING STRIP: BRASS.
- FINISH:  
CONTACT: 0.762μm [30μ"] MIN. GOLD PLATING ON CONTACT AREA.  
3.048μm [120μ"] MIN. BRIGHT TIN PLATING ON SOLDER TAILS,  
WITH ENTIRE CONTACT UNDERPLATED 1.27μm [50μ"] MIN. NICKEL.  
FRONT SHIELD: 0.762μm [30μ"] MIN. NICKEL PLATING.  
0.762μm [30μ"] MIN. Cu UNDER PLATING OVERALL.  
REAR SHIELD: 0.762μm [30μ"] MIN. NICKEL PLATING.  
0.762μm [30μ"] MIN. Cu UNDER PLATING OVERALL.  
GROUNDING STRIP: 0.762μm [30μ"] MIN. NICKEL PLATING.  
0.762μm [30μ"] MIN. Cu UNDER PLATING OVERALL.
- REFLOW SOLDER CAPABLE TO 260°C PER TE SPEC 109-201, CONDITION B.

RECOMMEND P.C.B LAYOUT (THICKNESS 1.2~1.4mm)  
(COMPONENT SIDE) TOLERANCE±0.05mm

RECOMMEND P.C.B LAYOUT (THICKNESS 1.2~1.4mm)  
(COMPONENT SIDE) TOLERANCE±0.05mm

OBSOLETE	TUBE	1-1734062-2
OBSOLETE	TAPE & REEL	1-1734062-1
NOTE	PACKAGE	PART NUMBER

THIS DRAWING IS A CONTROLLED DOCUMENT.		DWN		TE Connectivity	
DIMENSIONS:		CHK		NAME	
MM		APVD		USB CONNECTOR, A SERIES, STACKED, OFFSET TYPE	
TOLERANCES UNLESS OTHERWISE SPECIFIED:		PRODUCT SPEC		QUALIFICATION TEST REPORT	
0 PLC ±		QUALIFICATION TEST REPORT		SIZE	
1 PLC ±0.35		QUALIFICATION TEST REPORT		CAGE CODE	
2 PLC ±0.25		QUALIFICATION TEST REPORT		DRAWING NO	
3 PLC ±		QUALIFICATION TEST REPORT		RESTRICTED TO	
4 PLC ±		QUALIFICATION TEST REPORT		-	
ANGLES ±3'		QUALIFICATION TEST REPORT		-	
MATERIAL		WEIGHT		SCALE	
SEE NOTE		4.71 GRAMS		SHEET	
FINISH		A300779		2 of 24	
SEE NOTE		G-1734062		REV	
		CUSTOMER DRAWING		G8	

AMP 1470-19 REV 31MAR2000

4

3

2

1

THIS DRAWING IS UNPUBLISHED.

RELEASED FOR PUBLICATION

© COPYRIGHT BY TYCO ELECTRONICS CORPORATION.

ALL RIGHTS RESERVED.

LOC  
DW

DIST

REVISIONS

P	LTR	DESCRIPTION	DATE	DWN	APVD
		SEE SHEET 1.			

LOGO &  
DATE CODE

14.5

NOTE:

1. MATERIAL:  
HOUSING: PA9T WITH 30% GF, UL 94V-0 RATED, BLACK COLOR.  
SPACER: PA9T WITH 30% GF, UL 94V-0 RATED, BLACK COLOR.  
CONTACT: PHOSPHOR BRONZE.  
FRONT SHIELD: BRASS.  
REAR SHIELD: SPCC.  
GROUNDING STRIP: BRASS.

2. FINISH:  
CONTACT:  $0.76\mu\text{m}$  [30 $\mu$ ] MIN. GOLD PLATING ON CONTACT AREA.  
 $3.048\mu\text{m}$  [120 $\mu$ ] MIN. BRIGHT TIN PLATING ON SOLDER TAIL,  
WITH ENTIRE CONTACT UNDERPLATED  $1.27\mu\text{m}$  [50 $\mu$ ] MIN. NICKEL.  
FRONT SHIELD:  $0.76\mu\text{m}$  [30 $\mu$ ] MIN. NICKEL PLATING.  
 $0.76\mu\text{m}$  [30 $\mu$ ] MIN. Cu UNDER PLATING OVERALL.  
REAR SHIELD:  $0.762\mu\text{m}$  [30 $\mu$ ] MIN. NICKEL PLATING.  
 $0.762\mu\text{m}$  [30 $\mu$ ] MIN. Cu UNDER PLATING OVERALL.  
GROUNDING STRIP:  $0.762\mu\text{m}$  [30 $\mu$ ] MIN. NICKEL PLATING.  
 $0.762\mu\text{m}$  [30 $\mu$ ] MIN. Cu UNDER PLATING OVERALL.

3. REFLOW SOLDER CAPABLE TO 260°C PER TE  
SPEC 109-201, CONDITION B.

0.90  
2 PLC

1.00  
TYP

3.50  
TYP

$\phi 0.92$   
8 PLC

1.10

1.73

12.80

1.78 MAX

14.31 REF

2.60  
2 PLC

16.00 MIN

P.C.B. EDGE

RECOMMEND P.C.B LAYOUT (THICKNESS 1.2mm)  
(COMPONENT SIDE) TOLERANCE  $\pm 0.05\text{mm}$

12.50

5.12

8.50

1 2 3 4

15.8

13.62

10.35

2.80

2.90  
2 PLC

1.73

3.83

1.10

14.3

0.60  
8 PLC

1.00  
TYP

3.50  
TYP

12.80

OBSOLETE	TRAY	2-1734062-2
OBSOLETE	TUBE	2-1734062-1
	PACKAGE	PART NUMBER

THIS DRAWING IS A CONTROLLED DOCUMENT.

DIMENSIONS:	TOLERANCES UNLESS OTHERWISE SPECIFIED:
MM	
	0 PLC $\pm$
	1 PLC $\pm 0.35$
	2 PLC $\pm 0.25$
	3 PLC $\pm$
	4 PLC $\pm$
	ANGLES $\pm 3'$
MATERIAL	FINISH
SEE NOTE	SEE NOTE

DWN	
CHK	
APVD	
PRODUCT SPEC	
QUALIFICATION TEST REPORT	
WEIGHT	4.71 GRAMS
CUSTOMER DRAWING	

DWN		CHK		APVD		NAME	
PRODUCT SPEC		QUALIFICATION TEST REPORT		SIZE		CAGE CODE	
DRAWING NO		RESTRICTED TO		SCALE		SHEET	
A300779		C-1734062		3 of 24		REV G8	

TE Connectivity

USB CONNECTOR, A SERIES,  
STACKED, OFFSET TYPE

AMP 1470-19 REV 31MAR2000

4 3 2 1

THIS DRAWING IS UNPUBLISHED. RELEASED FOR PUBLICATION  
 © COPYRIGHT BY TYCO ELECTRONICS CORPORATION. ALL RIGHTS RESERVED.

LOC	DIST	REVISIONS					
DW		P	LTR	DESCRIPTION	DATE	DWN	APVD
				SEE SHEET 1.			

NOTES:  
 MATERIAL:  
 HOUSING: PA9T WITH 30% GF, UL 94V-0 RATED, BLACK COLOR.  
 SPACER: PA9T WITH 30% GF, UL 94V-0 RATED, BLACK COLOR.  
 CONTACT: PHOSPHOR BRONZE.  
 FRONT SHIELD: BRASS.  
 REAR SHIELD: SPCC.  
 GROUNDING STRIP: STAINLESS.  
 FINISH:  
 2 CONTACT: 0.762μm [30μ"] MIN. GOLD PLATING ON CONTACT AREA.  
 3.048μm [120μ"] MIN. MATTE TIN PLATING ON SOLDER TAILS,  
 1.27μm [50μ"] MIN. NICKEL UNDERPLATED WITH ENTIRE CONTACT.  
 FRONT SHIELD: 0.762μm [30μ"] MIN. NICKEL PLATING.  
 0.762μm [30μ"] MIN. Cu UNDER PLATING OVERALL.  
 REAR SHIELD: 0.762μm [30μ"] MIN. NICKEL PLATING.  
 0.762μm [30μ"] MIN. Cu UNDER PLATING OVERALL.  
 3 FINISH:  
 CONTACT: 0.254μm [10μ"] MIN. GOLD PLATING ON CONTACT AREA.  
 3.048μm [120μ"] MIN. MATTE TIN PLATING ON SOLDER TAILS,  
 1.27μm [50μ"] MIN. NICKEL UNDERPLATED WITH ENTIRE CONTACT.  
 FRONT SHIELD: 0.762μm [30μ"] MIN. NICKEL PLATING.  
 0.762μm [30μ"] MIN. Cu UNDER PLATING OVERALL.  
 SPUTTERING/BLACK PLATING IN FRONT SURFACE.  
 REAR SHIELD: 0.762μm [30μ"] MIN. NICKEL PLATING.  
 0.762μm [30μ"] MIN. Cu UNDER PLATING OVERALL.  
 GROUNDING STRIP: SPUTTERING/BLACK PLATING IN FRONT SURFACE.  
 4. REFLOW SOLDER CAPABLE TO 260°C PER TE SPEC 109-201, CONDITION B.

OBSOLETE

RECOMMENDED MOUNT DIMENSION

RECOMMEND P.C.B LAYOUT (THICKNESS 1.4~1.6mm)  
 (COMPONENT SIDE) TOLERANCE ±0.05mm

OBSOLETE	△3	TAPE & REEL	3-1734062-4
OBSOLETE		TAPE & REEL	3-1734062-3
	△2	TUBE	3-1734062-2
		TRAY	3-1734062-1
		FINISH	PACKAGE
			PART NUMBER

THIS DRAWING IS A CONTROLLED DOCUMENT.		DWN		TE Connectivity	
DIMENSIONS:		CHK			
MM		APVD		NAME	
		PRODUCT SPEC		USB CONNECTOR, A SERIES, STACKED, OFFSET TYPE	
0 PLC ± - 1 PLC ± 0.35 2 PLC ± 0.25 3 PLC ± - 4 PLC ± - ANGLES ± 3°		QUALIFICATION TEST REPORT		SIZE	
MATERIAL		WEIGHT		CAGE CODE	
SEE NOTE		4.71 GRAMS		A300779	
FINISH		CUSTOMER DRAWING		DRAWING NO	
SEE NOTE		SCALE		RESTRICTED TO	
		SHEET		4 of 24	
		REV		G8	

AMP 1470-19 REV 31MAR2000

4

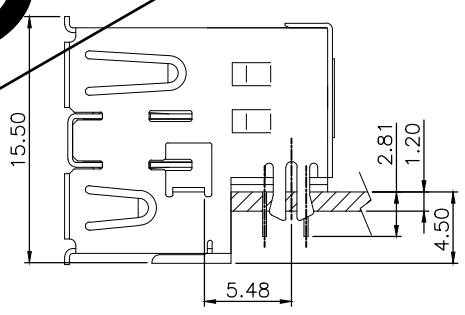
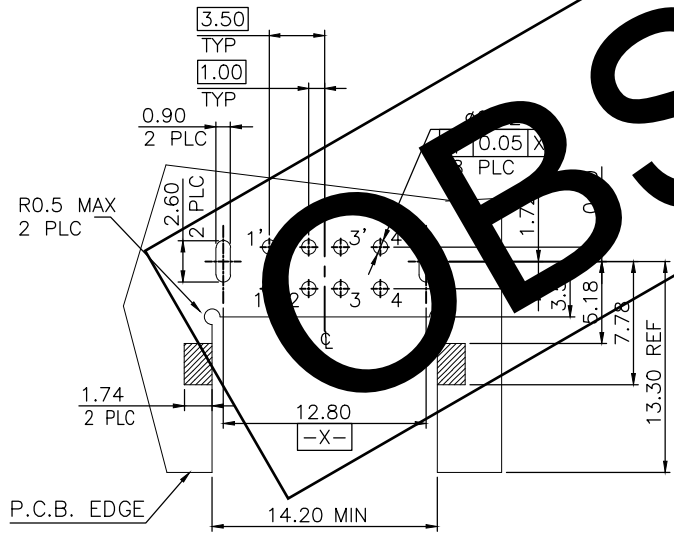
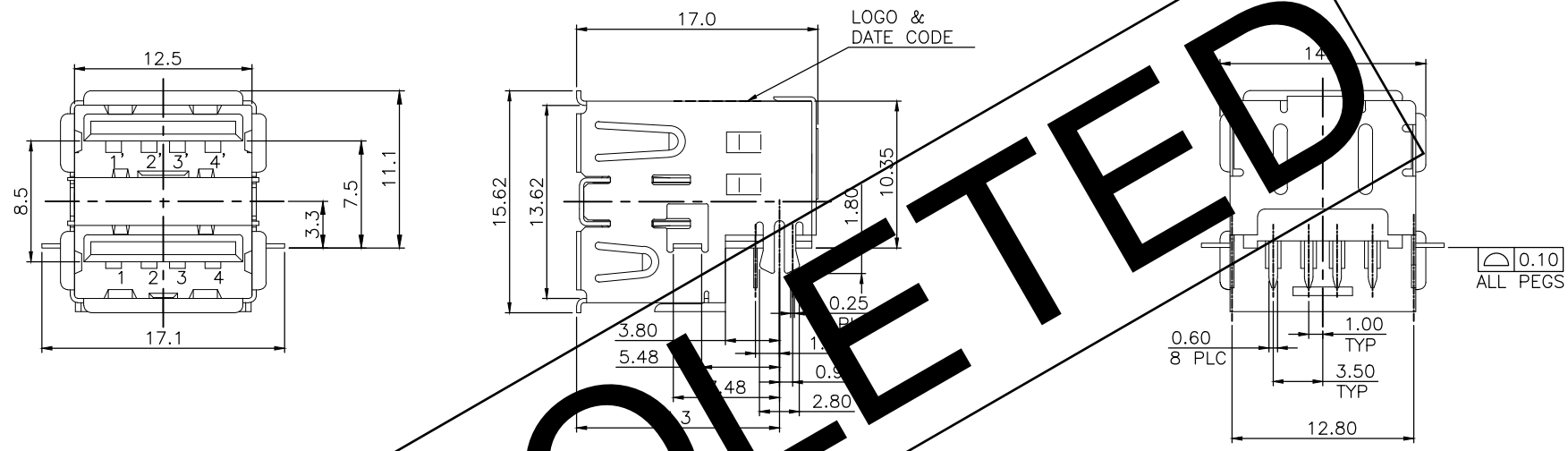
3

2

1

THIS DRAWING IS UNPUBLISHED. RELEASED FOR PUBLICATION  
 © COPYRIGHT BY TYCO ELECTRONICS CORPORATION. ALL RIGHTS RESERVED.

LOC	DIST	REVISIONS					
DW		P	LTR	DESCRIPTION	DATE	DWN	APVD
				SEE SHEET 1.			



- NOTES:
- MATERIAL:
    - HOUSING: PA9T WITH 30% GF, UL 94V-0 RATED, BLACK COLOR.
    - SPACER: PA9T WITH 30% GF, UL 94V-0 RATED, BLACK COLOR.
    - CONTACT: PHOSPHOR BRONZE.
    - FRONT SHIELD: BRASS.
    - REAR SHIELD: SPCC.
    - GROUNDING STRIP: BRASS.
  - FINISH:
    - CONTACT: 0.762µm [30µ"] MIN. GOLD PLATING ON CONTACT AREA.
    - 3.048µm [120µ"] MIN. BRIGHT TIN PLATING ON SOLDER TAILS.
    - WITH ENTIRE CONTACT UNDERPLATED 1.27µm [50µ"] MIN. NICKEL.
    - FRONT SHIELD: 0.762µm [30µ"] MIN. NICKEL PLATING.
    - 0.762µm [30µ"] MIN. Cu UNDER PLATING OVERALL.
    - REAR SHIELD: 0.762µm [30µ"] MIN. NICKEL PLATING.
    - 0.762µm [30µ"] MIN. Cu UNDER PLATING OVERALL.
    - GROUNDING STRIP: 0.762µm [30µ"] MIN. NICKEL PLATING.
    - 0.762µm [30µ"] MIN. Cu UNDER PLATING OVERALL.
  - REFLOW SOLDER CAPABLE TO 260°C PER TE SPEC 109-201, CONDITION B.

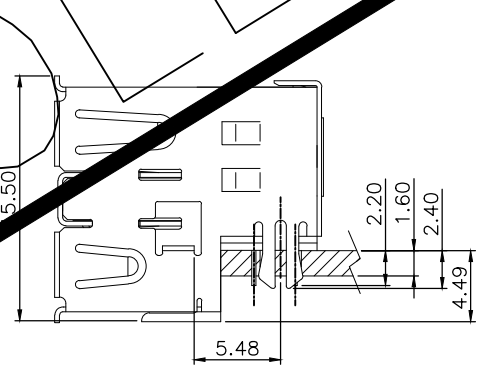
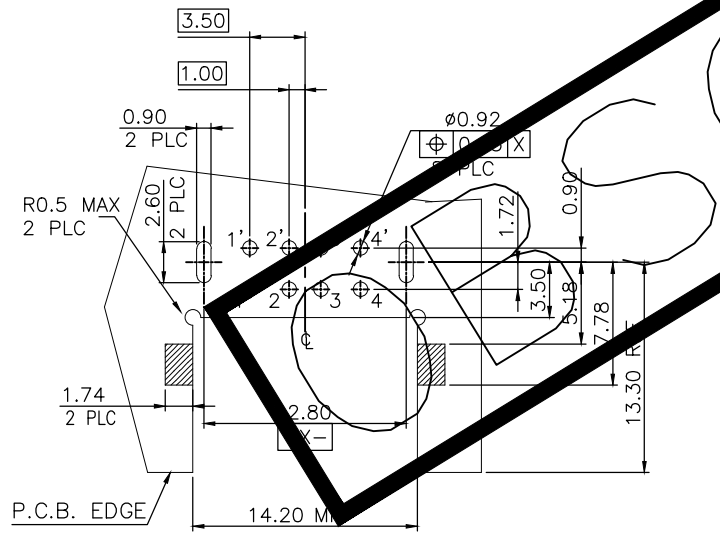
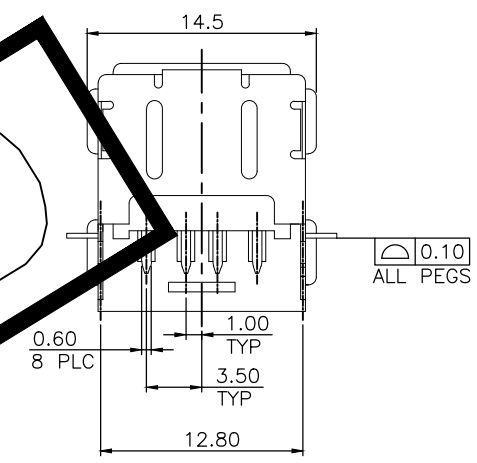
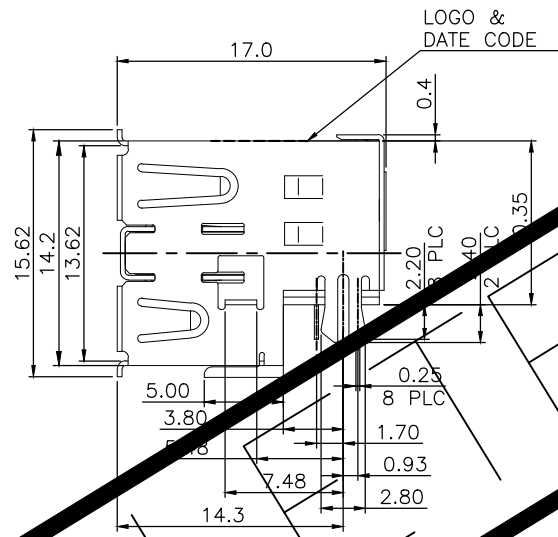
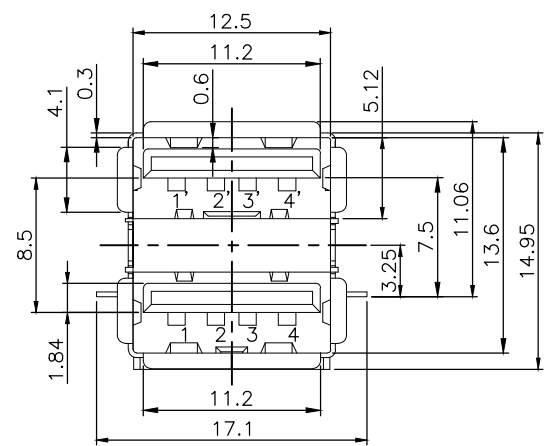
OBSELETE	TUBE	4-1734062-1
	PACKAGE	PART NUMBER

RECOMMEND P.C.B LAYOUT (THICKNESS 1.0~1.4mm)  
 (COMPONENT SIDE) TOLERANCE ±0.05mm

THIS DRAWING IS A CONTROLLED DOCUMENT.		DWN	TE Connectivity		
DIMENSIONS: MM		CHK	NAME		
		APVD	USB CONNECTOR, A SERIES, STACKED, OFFSET TYPE		
TOLERANCES UNLESS OTHERWISE SPECIFIED:		PRODUCT SPEC	SIZE		
0 PLC ±	±	QUALIFICATION TEST REPORT	CAGE CODE	DRAWING NO	RESTRICTED TO
1 PLC ±0.35		WEIGHT	00779	C=1734062	
2 PLC ±0.25		CUSTOMER DRAWING	SCALE	SHEET	REV
3 PLC ±				5 OF 24	G8
4 PLC ±					
ANGLES ±3'					
MATERIAL SEE NOTE	FINISH SEE NOTE				

THIS DRAWING IS UNPUBLISHED. RELEASED FOR PUBLICATION  
 © COPYRIGHT BY TYCO ELECTRONICS CORPORATION. ALL RIGHTS RESERVED.

LOC		DIST		REVISIONS			
P	LTR	DESCRIPTION		DATE	DWN	APVD	
DW				SEE SHEET 1.			



NOTES:

- MATERIAL:  
 HOUSING: PA9T WITH 30% GF, UL 94V-0 RATED, BLACK COLOR.  
 SPACER: PA9T WITH 30% GF, UL 94V-0 RATED, BLACK COLOR.  
 CONTACT: PHOSPHOR BRONZE.  
 FRONT SHIELD: SUS.  
 REAR SHIELD: SPCC.  
 GROUNDING STRIP: SUS.
- FINISH:  
 CONTACT: 0.762µm [30µ"] MIN. GOLD PLATING ON CONTACT AREA.  
 3.048µm [120µ"] MIN. BRIGHT TIN PLATING ON SOLDER TAILS.  
 WITH ENTIRE CONTACT UNDERPLATED 1.27µm [50µ"] MIN. NICKEL.  
 FRONT SHIELD: 0.762µm [30µ"] MIN. NICKEL PLATING OVERALL.  
 REAR SHIELD: 0.762µm [30µ"] MIN. NICKEL PLATING.  
 0.762µm [30µ"] MIN. Cu UNDER PLATING OVERALL.
- REFLOW SOLDER CAPABLE TO 260°C PER TE SPEC 109-201, CONDITION B.

RECOMMENDED MOUNT DIMENSION

RECOMMEND P.C.B LAYOUT (THICKNESS 1.6mm)  
 (COMPONENT SIDE) TOLERANCE ±0.05mm

OBSOLETE	TAPE & REEL	4-1734062-2
	PACKAGE	PART NUMBER

THIS DRAWING IS A CONTROLLED DOCUMENT.		DWN		TE Connectivity	
DIMENSIONS:		TOLERANCES UNLESS OTHERWISE SPECIFIED:		NAME	
MM		0 PLC ±		USB CONNECTOR, A SERIES, STACKED, OFFSET TYPE	
1 PLC ±0.35		1 PLC ±0.35		SIZE	
2 PLC ±0.25		2 PLC ±0.25		CAGE CODE	
3 PLC ±		3 PLC ±		DRAWING NO	
4 PLC ±		4 PLC ±		RESTRICTED TO	
ANGLES ±3'		MATERIAL SEE NOTE		WEIGHT 4.71 GRAMS	
FINISH SEE NOTE		CUSTOMER DRAWING		A300779	
				C-1734062	
				SCALE	
				SHEET 6 of 24	
				REV G8	

4

3

2

1

THIS DRAWING IS UNPUBLISHED.

RELEASED FOR PUBLICATION

© COPYRIGHT BY TYCO ELECTRONICS CORPORATION.

ALL RIGHTS RESERVED.

LOC  
DW

DIST

REVISIONS

P	LTR	DESCRIPTION	DATE	DWN	APVD
		SEE SHEET 1.			

NOTES:

- MATERIAL:  
HOUSING: PA9T WITH 30% GF, UL 94V-0 RATED, BLACK COLOR.  
SPACER: PA9T WITH 30% GF, UL 94V-0 RATED, BLACK COLOR.  
CONTACT: PHOSPHOR BRONZE.  
FRONT SHIELD: SUS.  
REAR SHIELD: SPCC.  
GROUNDING STRIP: SUS.
- FINISH:  
CONTACT: 0.762µm [30µ" MIN. GOLD PLATING ON CONTACT AREA,  
2.540µm [100µ" MIN. BRIGHT PLATING ON SOLDERTAILS,  
WITH ENAMEL CONTACT UNDERPLATED 1.27µm [50µ" MIN. NICKEL.  
FRONT SHIELD: 0.762µm [30µ" MIN. NICKEL PLATING OVERALL.  
REAR SHIELD: 0.762µm [30µ" MIN. NICKEL PLATING,  
0.762µm [30µ" MIN. CHROMIUM PLATING OVERALL.
- REFLOW SOLDER: COMPLIANT TO 260°C MATE SPEC 109-201, CONDITION B.

RECOMMEND P.C.B LAYOUT (THICKNESS 1.6mm)  
(COMPONENT SIDE) TOLERANCE ±0.05mm

DETAIL A  
SCALE 2:1

RECOMMENDED MOUNT DIMENSION

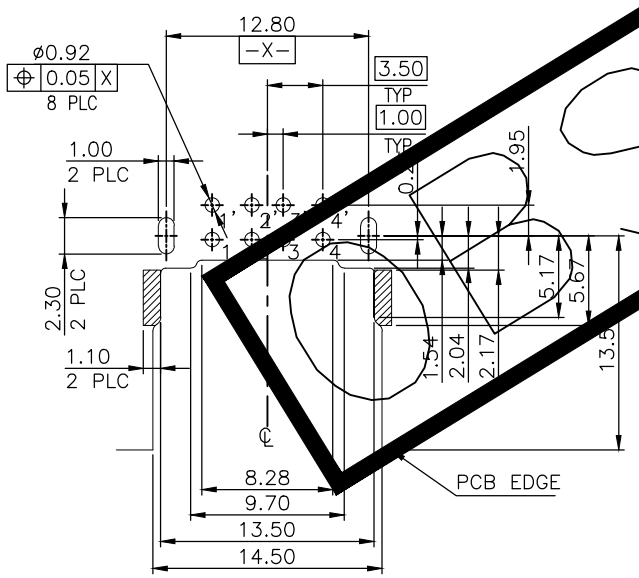
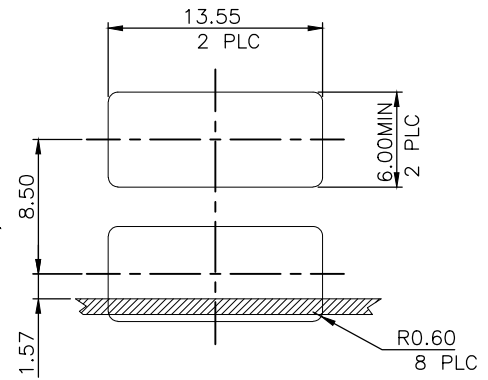
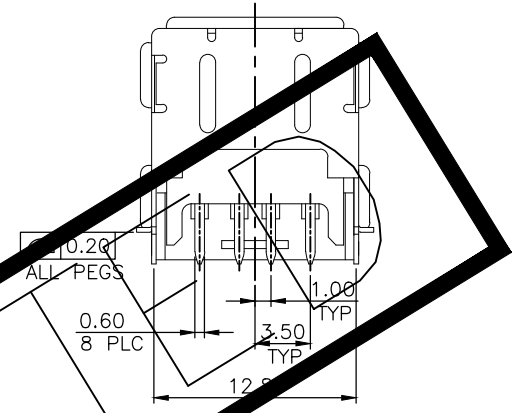
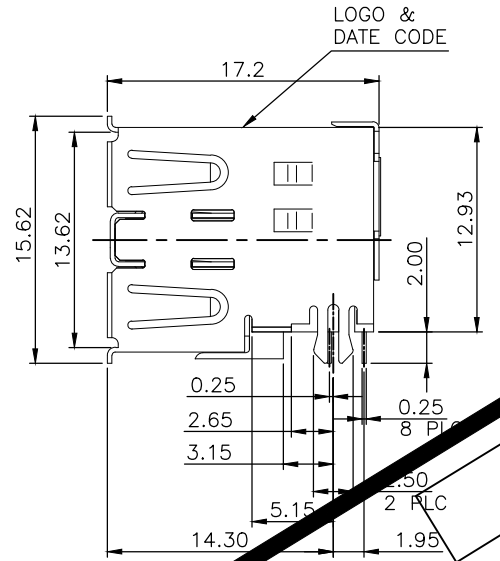
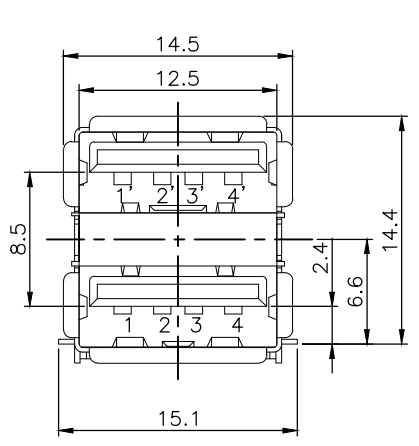
TAPE & REEL	4-1734062-3
PACKAGE	PART NUMBER

THIS DRAWING IS A CONTROLLED DOCUMENT.		DWN		TE Connectivity	
DIMENSIONS: MM		CHK			
TOLERANCES UNLESS OTHERWISE SPECIFIED:		APVD		NAME	
0 PLC ± 0 1 PLC ± 0.35 2 PLC ± 0.25 3 PLC ± 0 4 PLC ± 0 ANGLES ± 3°		PRODUCT SPEC		USB CONNECTOR, A SERIES, STACKED, OFFSET TYPE	
MATERIAL SEE NOTE		FINISH SEE NOTE		QUALIFICATION TEST REPORT	
		WEIGHT 4.25 GRAMS		SIZE CAGE CODE DRAWING NO	
		CUSTOMER DRAWING		A300779 C-1734062	
		SCALE		RESTRICTED TO	
		SHEET 7 of 24		REV G8	

AMP 1470-19 REV 31MAR2000

THIS DRAWING IS UNPUBLISHED. RELEASED FOR PUBLICATION  
 © COPYRIGHT BY TYCO ELECTRONICS CORPORATION. ALL RIGHTS RESERVED.

LOC DW	DIST	REVISIONS			
P	LTR	DESCRIPTION	DATE	DWN	APVD
		SEE SHEET 1.			



NOTES:

- MATERIAL:  
 HOUSING: NYLON 66 WITH 30% GF, UL 94V-0 RATED, BLACK COLOR.  
 SPACERS: NYLON 66 WITH 30% GF, UL 94V-0 RATED, BLACK COLOR.  
 CONTACT: PHOSPHOR BRONZE.  
 FRONT SHIELD: BRASS.  
 REAR SHIELD: SPCC.  
 GROUNDING STRIP: BRASS.
- FINISH:  
 CONTACT: 0.762µm [30µ"] MIN. GOLD PLATING ON CONTACT AREA.  
 3.048µm [120µ"] MIN. BRIGHT-TIN PLATING ON SOLDERTAILS.  
 WITH ENTIRE CONTACT UNDERPLATED 1.27µm [50µ"] MIN. NICKEL.  
 FRONT SHIELD: 0.762µm [30µ"] MIN. NICKEL PLATING.  
 0.762µm [30µ"] MIN. Cu UNDER PLATING OVERALL.  
 REAR SHIELD: 0.762µm [30µ"] MIN. NICKEL PLATING.  
 0.762µm [30µ"] MIN. Cu UNDER PLATING OVERALL.  
 GROUNDING STRIP: 0.762µm [30µ"] MIN. NICKEL PLATING.  
 0.762µm [30µ"] MIN. Cu UNDER PLATING OVERALL.
- REFLOW SOLDER CAPABLE TO 260°C PER TE SPEC 109-201, CONDITION B.

OBSOLETE	TRAY	5-1734062-2
OBSOLETE	TAPE & REEL	5-1734062-1
	PACKAGE	PART NUMBER

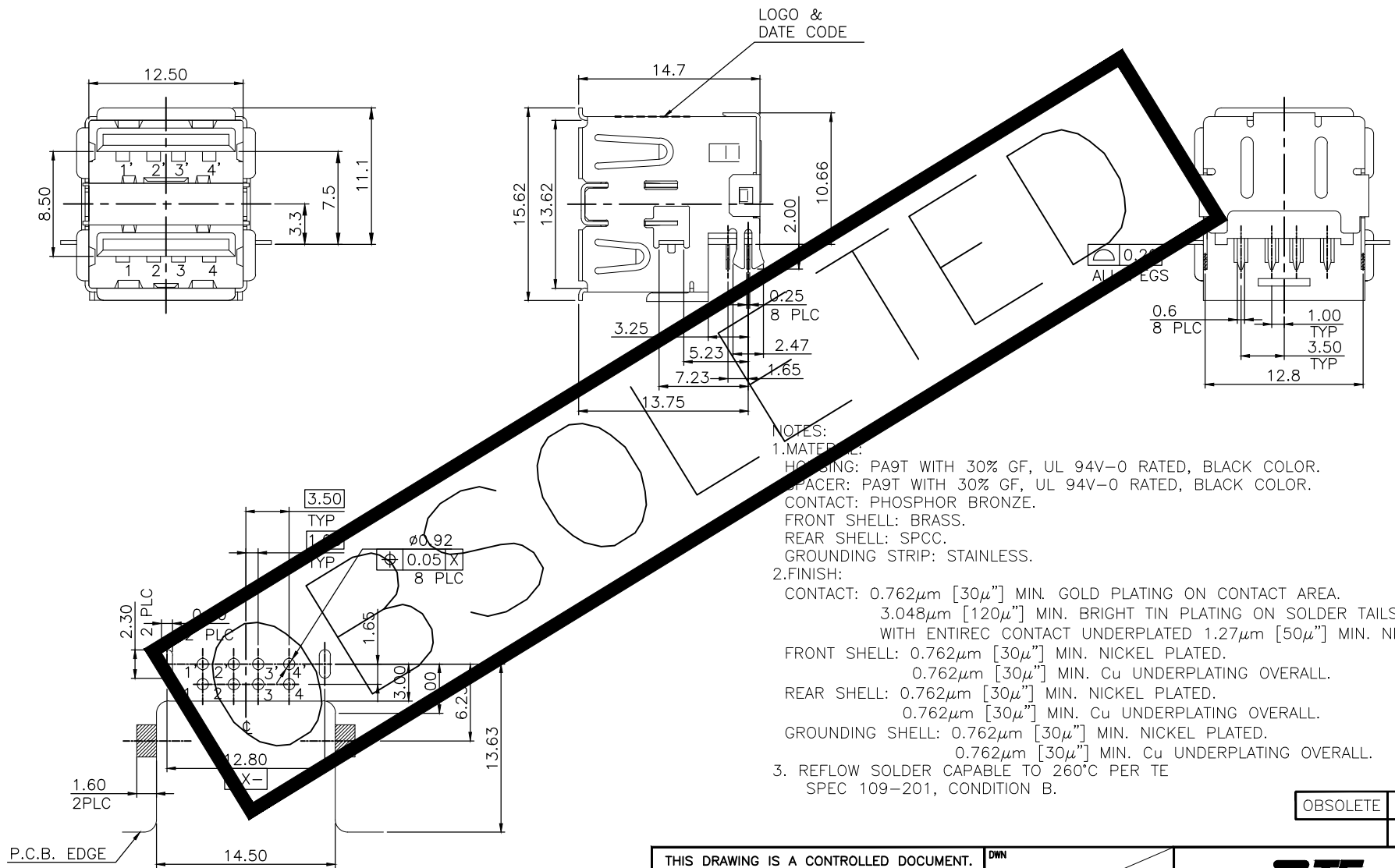
RECOMMEND P.C.B LAYOUT (THICKNESS 1.0mm)  
 (COMPONENT SIDE) TOLERANCE ±0.05mm

THIS DRAWING IS A CONTROLLED DOCUMENT.		DWN	TE Connectivity			
DIMENSIONS: MM		CHK				
TOLERANCES UNLESS OTHERWISE SPECIFIED:		APVD	NAME			
0 PLC ± . 1 PLC ± 0.35 2 PLC ± 0.25 3 PLC ± . 4 PLC ± . ANGLES ± 3'		PRODUCT SPEC	USB CONNECTOR, A SERIES, STACKED, OFFSET TYPE			
MATERIAL: SEE NOTE		QUALIFICATION TEST REPORT	SIZE	CAGE CODE	DRAWING NO	RESTRICTED TO
FINISH: SEE NOTE		WEIGHT: 4.71 GRAMS	A3	00779	C-1734062	
CUSTOMER DRAWING			SCALE	SHEET	8 OF 24	REV G8



THIS DRAWING IS UNPUBLISHED. RELEASED FOR PUBLICATION  
 © COPYRIGHT BY TYCO ELECTRONICS CORPORATION. ALL RIGHTS RESERVED.

LOC DW	DIST	REVISIONS			
P	LTR	DESCRIPTION	DATE	DWN	APVD
		SEE SHEET 1.			



- NOTES:
- MATERIALS:  
 HOUSING: PA9T WITH 30% GF, UL 94V-0 RATED, BLACK COLOR.  
 SPACER: PA9T WITH 30% GF, UL 94V-0 RATED, BLACK COLOR.  
 CONTACT: PHOSPHOR BRONZE.  
 FRONT SHELL: BRASS.  
 REAR SHELL: SPCC.  
 GROUNDING STRIP: STAINLESS.
  - FINISH:  
 CONTACT: 0.762µm [30µ"] MIN. GOLD PLATING ON CONTACT AREA.  
 3.048µm [120µ"] MIN. BRIGHT TIN PLATING ON SOLDER TAILS,  
 WITH ENTIRE CONTACT UNDERPLATED 1.27µm [50µ"] MIN. NICKEL.  
 FRONT SHELL: 0.762µm [30µ"] MIN. NICKEL PLATED.  
 0.762µm [30µ"] MIN. Cu UNDERPLATING OVERALL.  
 REAR SHELL: 0.762µm [30µ"] MIN. NICKEL PLATED.  
 0.762µm [30µ"] MIN. Cu UNDERPLATING OVERALL.  
 GROUNDING SHELL: 0.762µm [30µ"] MIN. NICKEL PLATED.  
 0.762µm [30µ"] MIN. Cu UNDERPLATING OVERALL.
  - REFLOW SOLDER CAPABLE TO 260°C PER TE SPEC 109-201, CONDITION B.

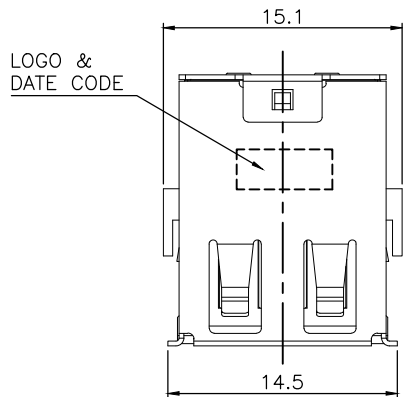
OBSOLETE	TAPE & REEL	6-1734062-1
	PACKAGE	PART NUMBER

RECOMMEND P.C.B LAYOUT (THICKNESS 1.2mm)  
 (COMPONENT SIDE) TOLERANCE ±0.05mm

THIS DRAWING IS A CONTROLLED DOCUMENT.		DWN		TE Connectivity	
DIMENSIONS: MM		CHK			
TOLERANCES UNLESS OTHERWISE SPECIFIED:		APVD		NAME	
0 PLC ±		PRODUCT SPEC		USB CONNECTOR, A SERIES, STACKED, OFFSET TYPE	
1 PLC ±0.35		QUALIFICATION TEST REPORT		SIZE	
2 PLC ±0.25		WEIGHT 4.71 GRAMS		CAGE CODE A300779	
3 PLC ±		CUSTOMER DRAWING		DRAWING NO C-1734062	
4 PLC ±		SCALE		RESTRICTED TO	
ANGLES ±3'		SHEET 9 of 24		REV G8	
MATERIAL SEE NOTE		FINISH SEE NOTE			

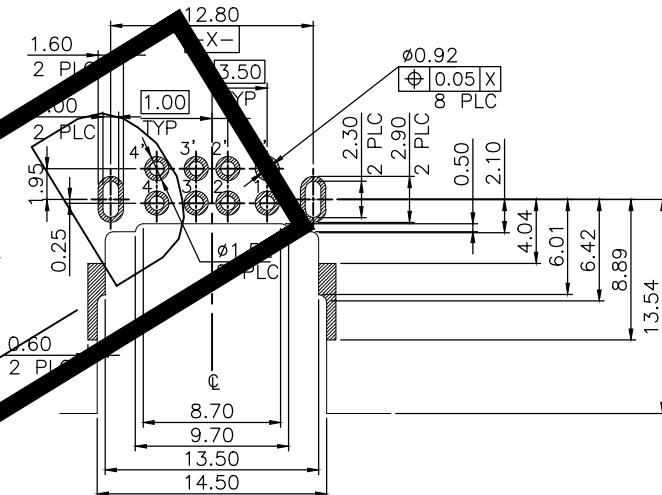
THIS DRAWING IS UNPUBLISHED. RELEASED FOR PUBLICATION  
 © COPYRIGHT BY TYCO ELECTRONICS CORPORATION. ALL RIGHTS RESERVED.

LOC	DIST	REVISIONS					
DW		P	LTR	DESCRIPTION	DATE	DWN	APVD
				SEE SHEET 1.			

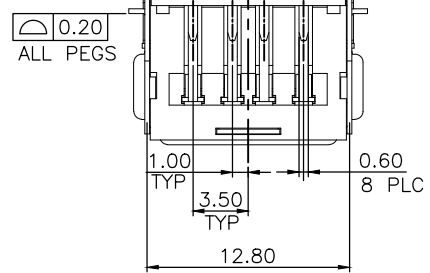
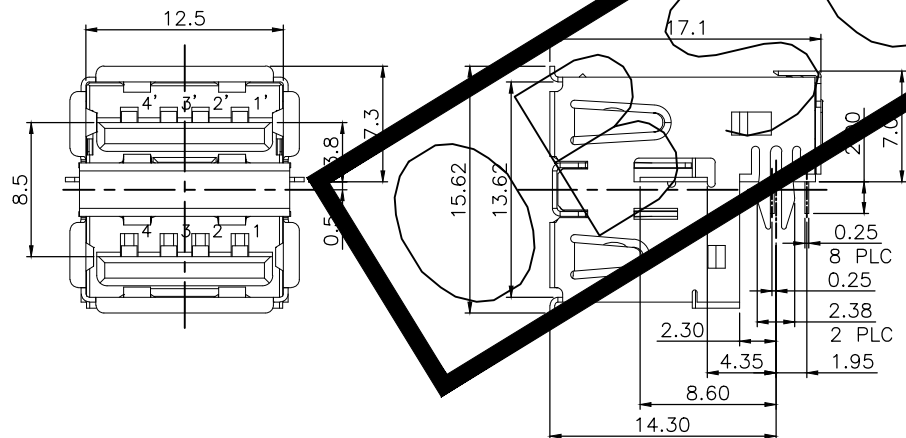


NOTES:

- MATERIAL:  
 HOUSING: PA9T WITH 30% GF, UL 94V-0 RATED, BLACK COLOR.  
 CONTACT: PHOSPHOR BRONZE.  
 FRONT SHIELD: BRASS.  
 REAR SHIELD: SPCC.  
 GROUNDING STRIP: BRASS.
- FINISH:  
 CONTACT: 0.762µm [30µ"] MIN. GOLD PLATING ON CONTACT AREA.  
 3.048µm [120µ"] MIN. BRIGHT TIN PLATING ON SOLDER TAILS.  
 WITH ENTIRE CONTACT UNDERPLATED 1.27µm [50µ"] MIN. NICKEL.  
 FRONT SHELL: 0.762µm [30µ"] MIN. NICKEL PLATED.  
 0.762µm [30µ"] MIN. Cu UNDERPLATING OVERALL.  
 REAR SHELL: 0.762µm [30µ"] MIN. NICKEL PLATED.  
 0.762µm [30µ"] MIN. Cu UNDERPLATING OVERALL.  
 GROUNDING STRIP: 0.762µm [30µ"] MIN. NICKEL PLATING.  
 0.762µm [30µ"] MIN. Cu UNDERPLATING OVERALL.
- REFLOW SOLDER CAPABLE TO 260°C PER TE SPEC 109-201, CONDITION B.



RECOMMEND P.C.B LAYOUT (THICKNESS 1.2mm)  
 (COMPONENT SIDE) TOLERANCE ±0.05mm

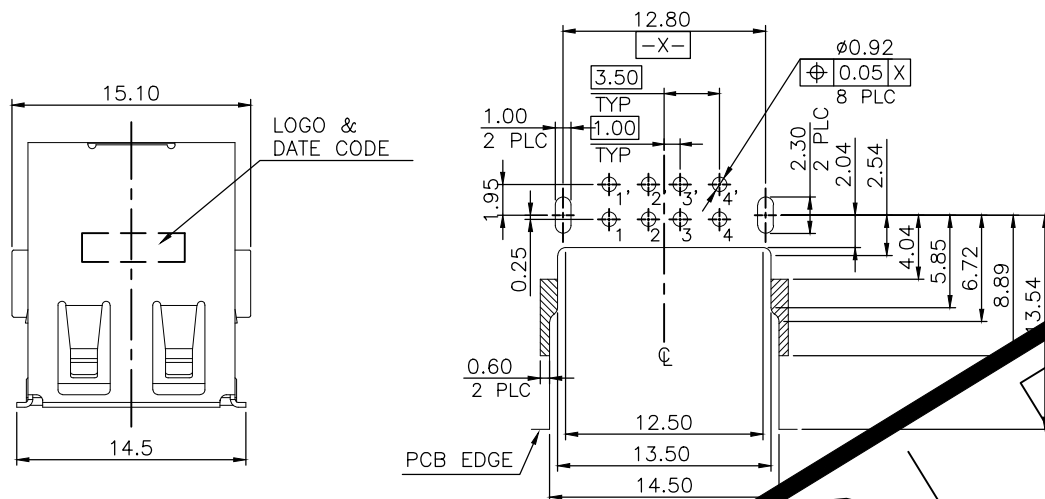


OBsolete	TAPE & REEL	7-1734062-1
	PACKAGE	PART NUMBER

THIS DRAWING IS A CONTROLLED DOCUMENT.		DWN		TE Connectivity	
DIMENSIONS: MM		CHK			
TOLERANCES UNLESS OTHERWISE SPECIFIED:		APVD		NAME	
0 PLC ± - 1 PLC ± 0.35 2 PLC ± 0.25 3 PLC ± - 4 PLC ± - ANGLES ± 3°		PRODUCT SPEC		USB CONNECTOR, A SERIES, STACKED, OFFSET TYPE	
MATERIAL SEE NOTE		FINISH SEE NOTE		QUALIFICATION TEST REPORT	
		WEIGHT 4.3 GRAMS		SIZE A3	CAGE CODE 00779
		CUSTOMER DRAWING		DRAWING NO. 1734062	RESTRICTED TO
		SCALE		SHEET 10 of 24	REV G8

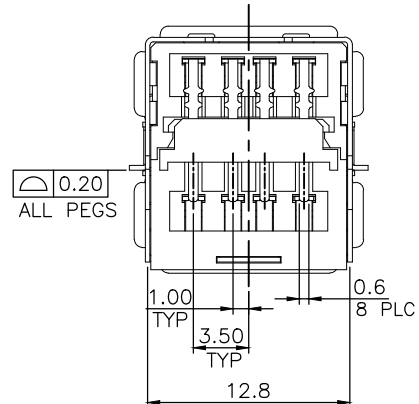
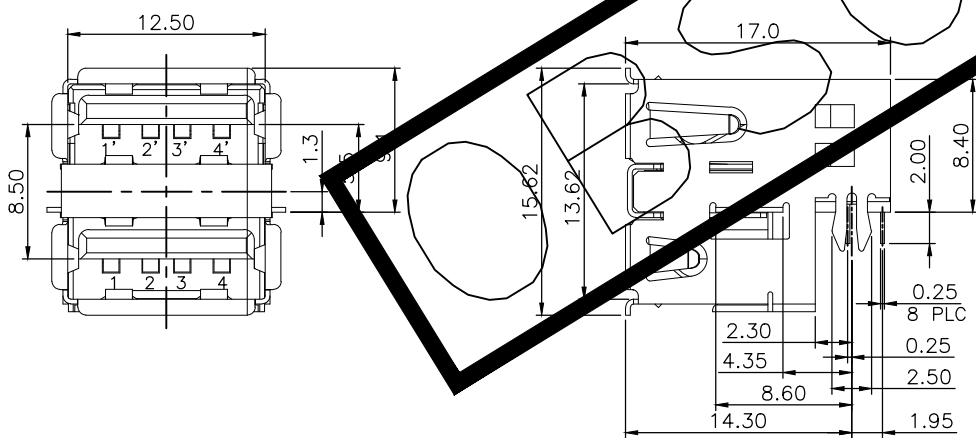
THIS DRAWING IS UNPUBLISHED. RELEASED FOR PUBLICATION  
 © COPYRIGHT BY TYCO ELECTRONICS CORPORATION. ALL RIGHTS RESERVED.

LOC	DIST	REVISIONS					
DW		P	LTR	DESCRIPTION	DATE	DWN	APVD
				SEE SHEET 1.			



NOTE:  
 1. MATERIAL:  
 HOUSING: PART WITH 30% GF, UL 94V-0 RATED, BLACK COLOR.  
 SPACER: PART WITH 30% GF, UL 94V-0 RATED, BLACK COLOR.  
 CONTACT: PHOSPHOR BRONZE.  
 FRONT SHIELD: BRASS.  
 GROUNDING STRIP: BRASS.  
 2. FINISH:  
 CONTACT: 0.762µm [30µ"] MIN. GOLD PLATING ON CONTACT AREA.  
 3.048µm [120µ"] MIN. BRIGHT TIN PLATING ON SOLDER TAIL,  
 WITH ENTIRE CONTACT UNDERPLATED 1.27µm [50µ"] MIN. NICKEL.  
 FRONT SHELL: 0.762µm [30µ"] MIN. NICKEL PLATED.  
 GROUNDING STRIP: 0.762µm [30µ"] MIN. Cu UNDERPLATING OVERALL.  
 GROUNDING STRIP: 0.762µm [30µ"] MIN. NICKEL PLATING.  
 3. REFLECT SOLDER CAPABLE TO 260°C PER TE SPEC 109-201, CONDITION B.

RECOMMEND P.C.B LAYOUT (THICKNESS 1.2mm)  
 (COMPONENT SIDE) TOLERANCE ±0.05mm

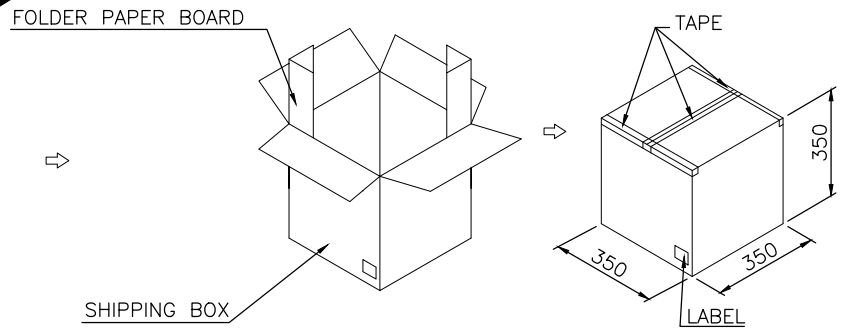
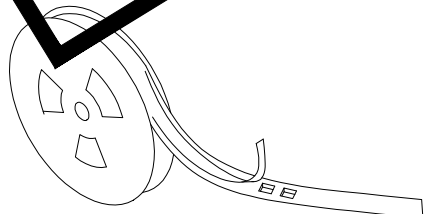
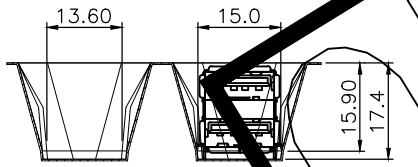
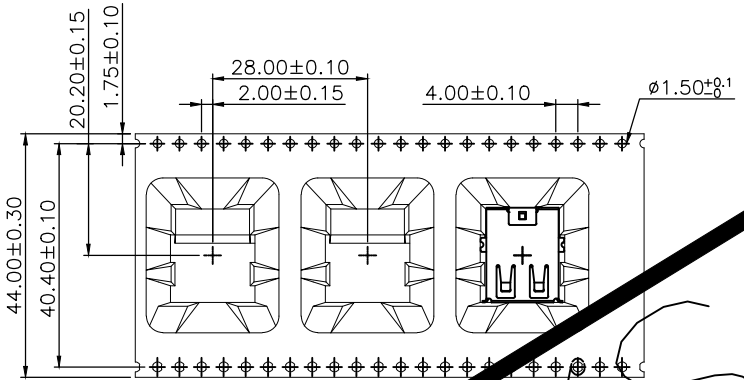
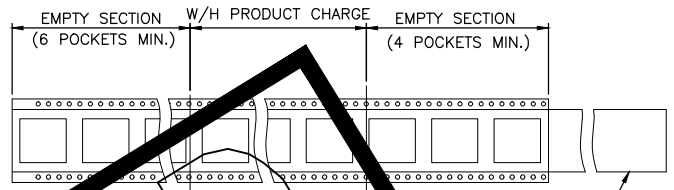
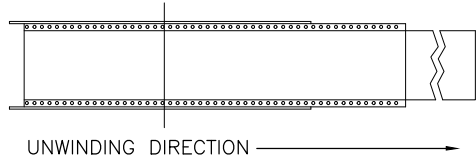
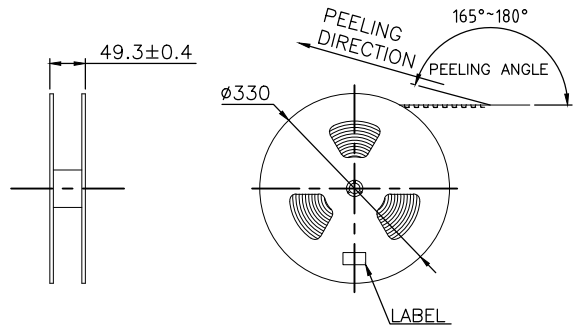


OBSOLETE	TAPE & REEL	8-1734062-1
	PACKAGE	PART NUMBER

THIS DRAWING IS A CONTROLLED DOCUMENT.		DWN		TE Connectivity	
DIMENSIONS: MM		CHK			
TOLERANCES UNLESS OTHERWISE SPECIFIED:		APVD		NAME	
0 PLC ± - 1 PLC ± 0.35 2 PLC ± 0.25 3 PLC ± - 4 PLC ± - ANGLES ± 3°		PRODUCT SPEC		USB CONNECTOR, A SERIES, STACKED, OFFSET TYPE	
MATERIAL SEE NOTE		FINISH SEE NOTE		QUALIFICATION TEST REPORT	
		WEIGHT 4.3 GRAMS		SIZE	RESTRICTED TO
		CUSTOMER DRAWING		CAGE CODE A300779	DRAWING NO. 1734062
		SCALE		SHEET 11 of 24	REV G8

THIS DRAWING IS UNPUBLISHED. RELEASED FOR PUBLICATION  
 © COPYRIGHT BY TYCO ELECTRONICS CORPORATION. ALL RIGHTS RESERVED.

LOC	DIST	REVISIONS			
P	LTR	DESCRIPTION	DATE	DWN	APVD
DW		SEE SHEET 1.			

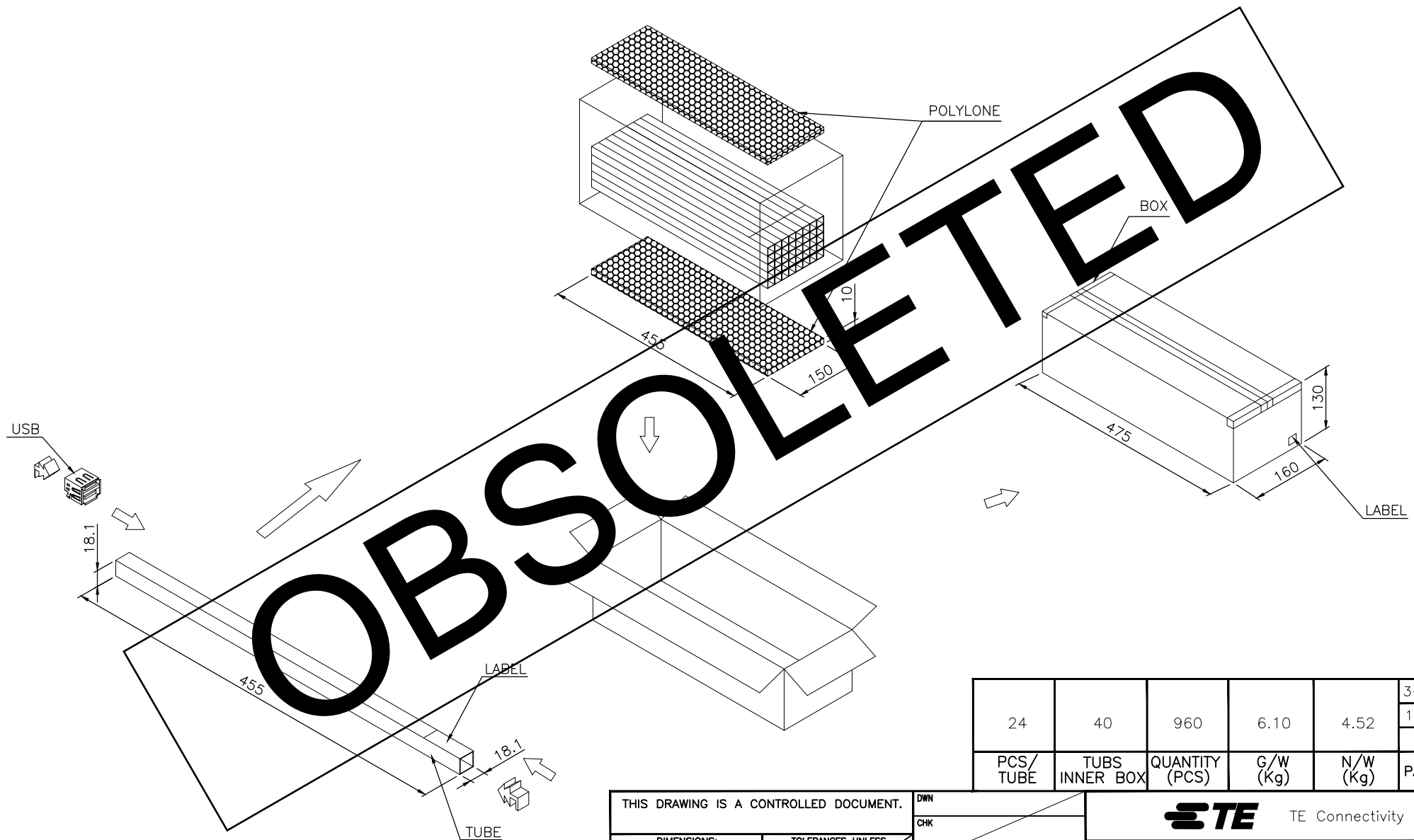


140	7	980	8.60	4.62	1-1734062-1
PCS/REEL	REELS/BOX	QUANTITY (PCS)	G/W (Kg)	N/W (Kg)	1734062-1
					PART NUMBER

THIS DRAWING IS A CONTROLLED DOCUMENT.		DWN		TE Connectivity	
DIMENSIONS: MM		CHK			
		APVD		NAME	
TOLERANCES UNLESS OTHERWISE SPECIFIED:		PRODUCT SPEC		USB CONNECTOR, A SERIES, STACKED, OFFSET TYPE	
0 PLC ± -		APPLICATION SPEC		SIZE CAGE CODE DRAWING NO	
1 PLC ± -		WEIGHT		A300779 C-1734062	
2 PLC ± -		CUSTOMER DRAWING		RESTRICTED TO	
3 PLC ± -		SCALE		SHEET 12 of 24	
4 PLC ± -		REV		G8	
ANGLES ± -					
FINISH					

THIS DRAWING IS UNPUBLISHED. RELEASED FOR PUBLICATION  
 © COPYRIGHT BY TYCO ELECTRONICS CORPORATION. ALL RIGHTS RESERVED.

LOC DW	DIST	REVISIONS			
P	LTR	DESCRIPTION	DATE	DWN	APVD
		SEE SHEET 1.			



24	40	960	6.10	4.52	3-1734062-2 1-1734062-2 1734062-2
PCS/TUBE	TUBS IN BOX	QUANTITY (PCS)	G/W (Kg)	N/W (Kg)	PART NUMBER

THIS DRAWING IS A CONTROLLED DOCUMENT.

DIMENSIONS: MM	TOLERANCES UNLESS OTHERWISE SPECIFIED: 0 PLC ± - 1 PLC ± - 2 PLC ± - 3 PLC ± - 4 PLC ± - ANGLES ± -	DWN			
MATERIAL	FINISH	CHK	NAME		
		APVD	USB CONNECTOR, A SERIES, STACKED, OFFSET TYPE		
		PRODUCT SPEC	SIZE	CAGE CODE	DRAWING NO
		APPLICATION SPEC	A3	00779	C=1734062
		WEIGHT	CUSTOMER DRAWING		RESTRICTED TO
			SCALE	SHEET	REV
			-	13 of 24	G8

4

3

2

1

THIS DRAWING IS UNPUBLISHED.

RELEASED FOR PUBLICATION

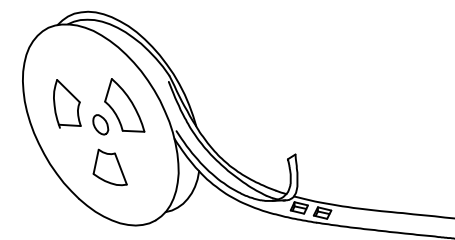
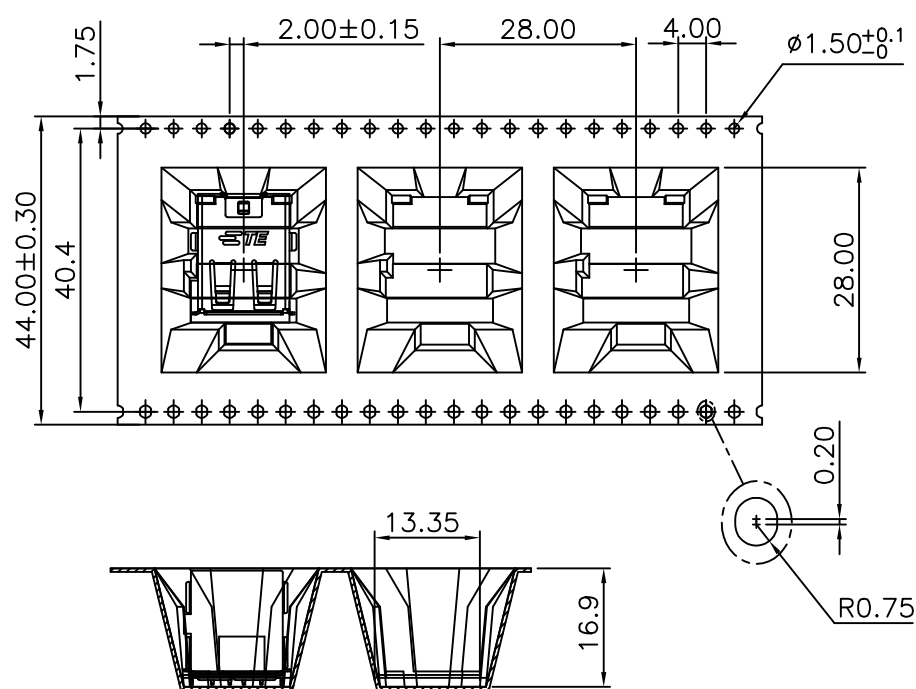
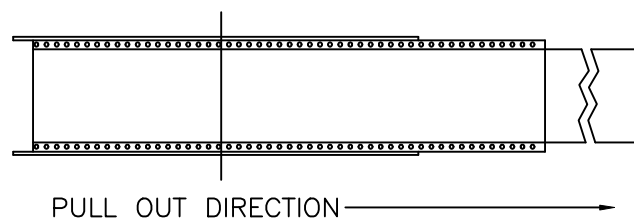
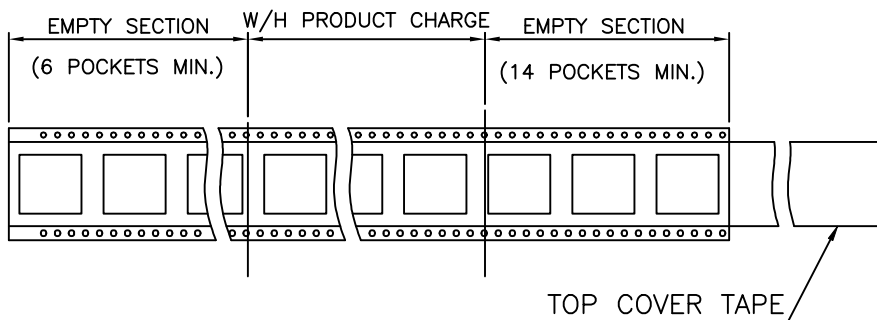
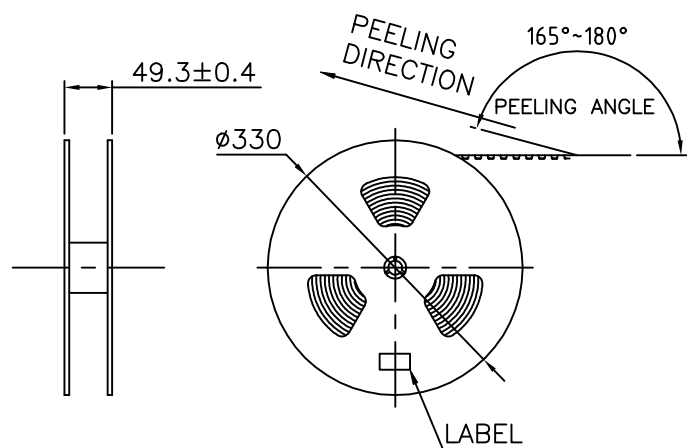
© COPYRIGHT BY TYCO ELECTRONICS CORPORATION. ALL RIGHTS RESERVED.

LOC DW

DIST

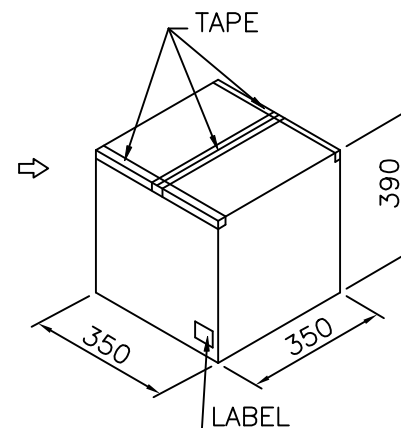
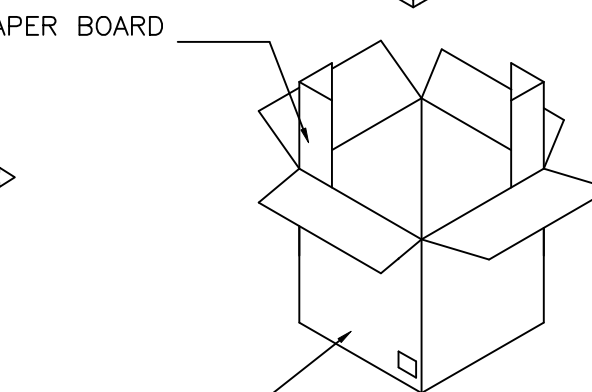
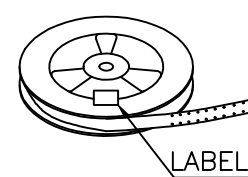
REVISIONS

P	LTR	DESCRIPTION	DATE	DWN	APVD
		SEE SHEET 1.			



STYROFOAM G8

FOLDER PAPER BOARD



100	7	700	7.28	3.30	1734062-3
PCS/REEL	REELS/BOX	QUANTITY (PCS)	G/W (Kg)	N/W (Kg)	PART NUMBER

THIS DRAWING IS A CONTROLLED DOCUMENT.

DIMENSIONS: MM

TOLERANCES UNLESS OTHERWISE SPECIFIED:

0 PLC	$\pm -$
1 PLC	$\pm -$
2 PLC	$\pm -$
3 PLC	$\pm -$
4 PLC	$\pm -$
ANGLES	$\pm -$

MATERIAL: \_\_\_\_\_ FINISH: \_\_\_\_\_

TE Connectivity

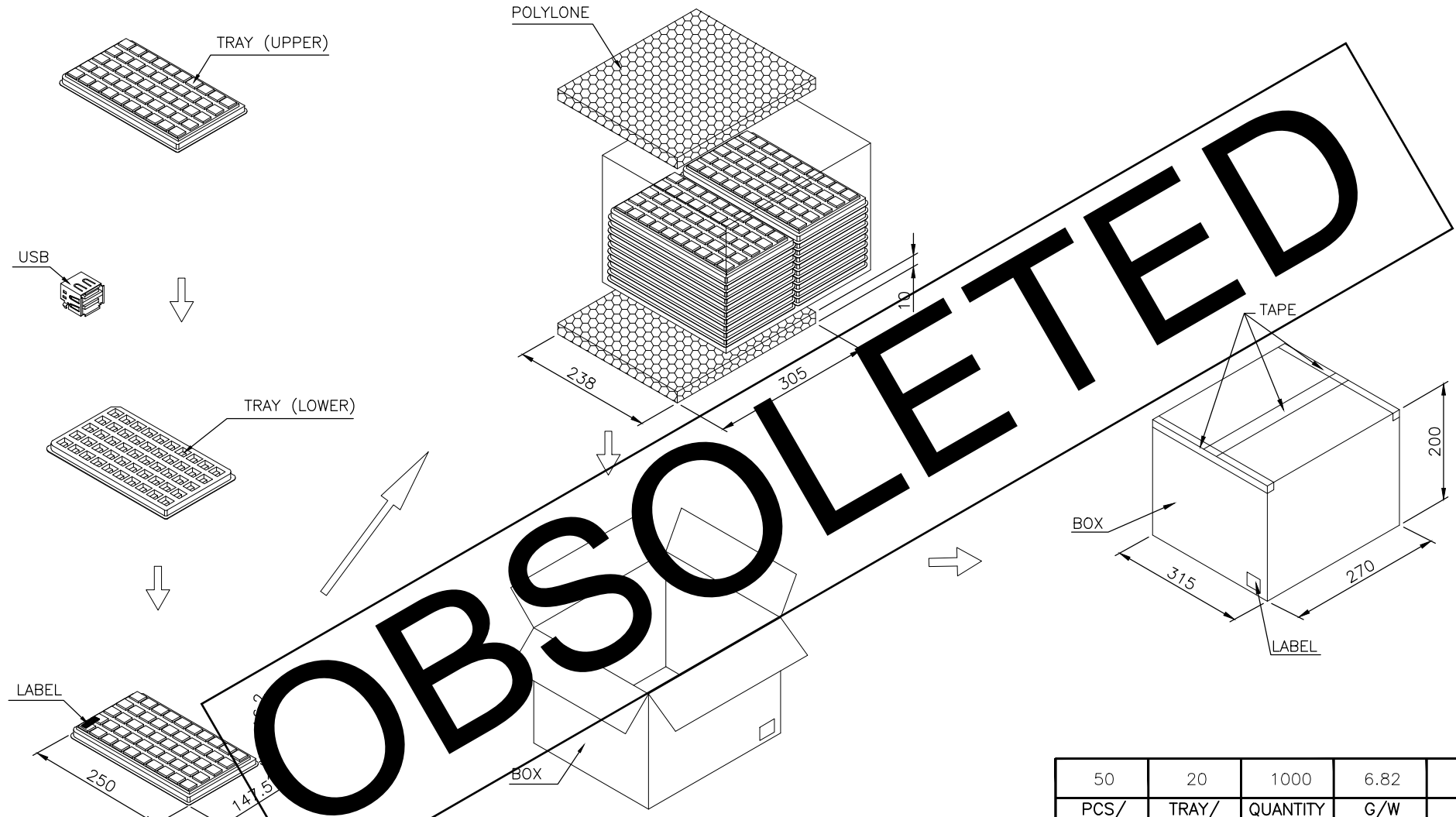
NAME: USB CONNECTOR, A SERIES, STACKED, OFFSET TYPE

SIZE: A3 CAGE CODE: 00779 DRAWING NO: 1734062 RESTRICTED TO: \_\_\_\_\_

CUSTOMER DRAWING SCALE: \_\_\_\_\_ SHEET: 14 of 24 REV: G8

THIS DRAWING IS UNPUBLISHED. RELEASED FOR PUBLICATION  
 © COPYRIGHT BY TYCO ELECTRONICS CORPORATION. ALL RIGHTS RESERVED.

LOC DW	DIST	REVISIONS			
P	LTR	DESCRIPTION	DATE	DWN	APVD
		SEE SHEET 1.			

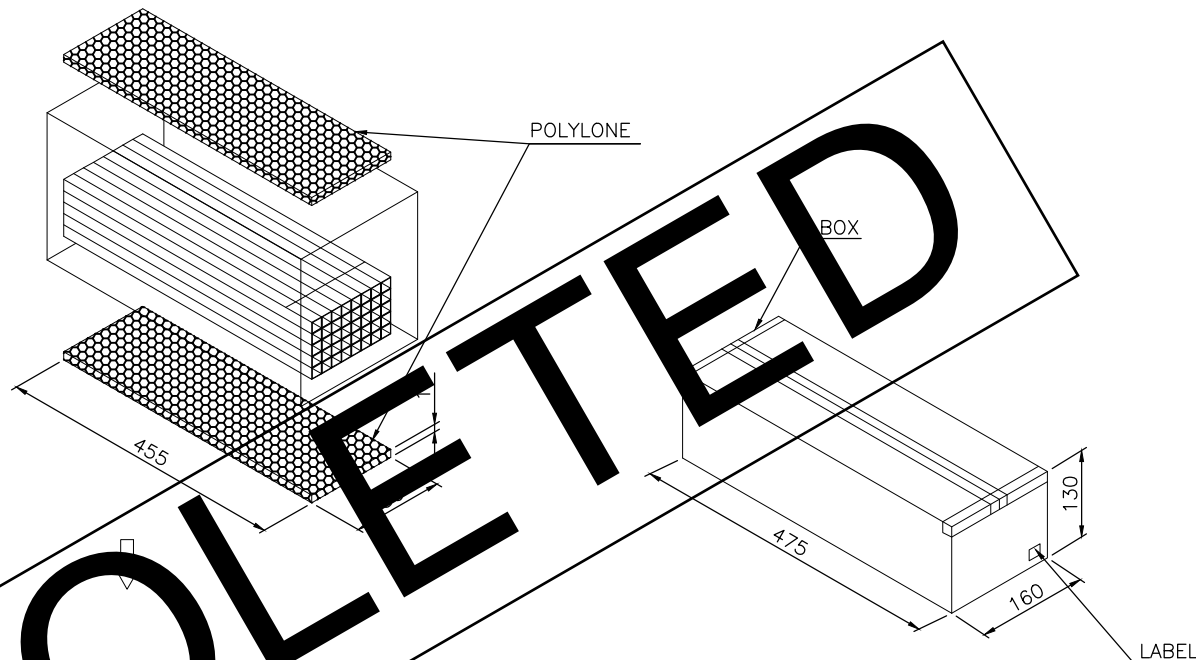


50	20	1000	6.82	4.71	2-1734062-2
PCS/ TRAY	TRAY/ BOX	QUANTITY (PCS)	G/W (Kg)	N/W (Kg)	PART NUMBER

THIS DRAWING IS A CONTROLLED DOCUMENT.		DWN	TE Connectivity		
DIMENSIONS: MM		CHK			
		APVD	NAME		
TOLERANCES UNLESS OTHERWISE SPECIFIED:		PRODUCT SPEC	USB CONNECTOR, A SERIES, STACKED, OFFSET TYPE		
0 PLC ± -	FINISH	APPLICATION SPEC	SIZE	CAGE CODE	DRAWING NO
1 PLC ± -		WEIGHT	A3	00779	C-1734062
2 PLC ± -		CUSTOMER DRAWING		RESTRICTED TO	
3 PLC ± -		SCALE	SHEET	15 of 24	REV G8
4 PLC ± -					

THIS DRAWING IS UNPUBLISHED. RELEASED FOR PUBLICATION  
 © COPYRIGHT BY TYCO ELECTRONICS CORPORATION. ALL RIGHTS RESERVED.

LOC DW	DIST	REVISIONS			
P	LTR	DESCRIPTION	DATE	DWN	APVD
		SEE SHEET 1.			



**OBSOLETE**

25	40	1000	6.27	4.71	4-1734062-1	OBSOLETE
PCS/TUBE	TUBS INNER BOX	QUANTITY (PCS)	G/W (Kg)	N/W (Kg)	2-1734062-1	
					PART NUMBER	

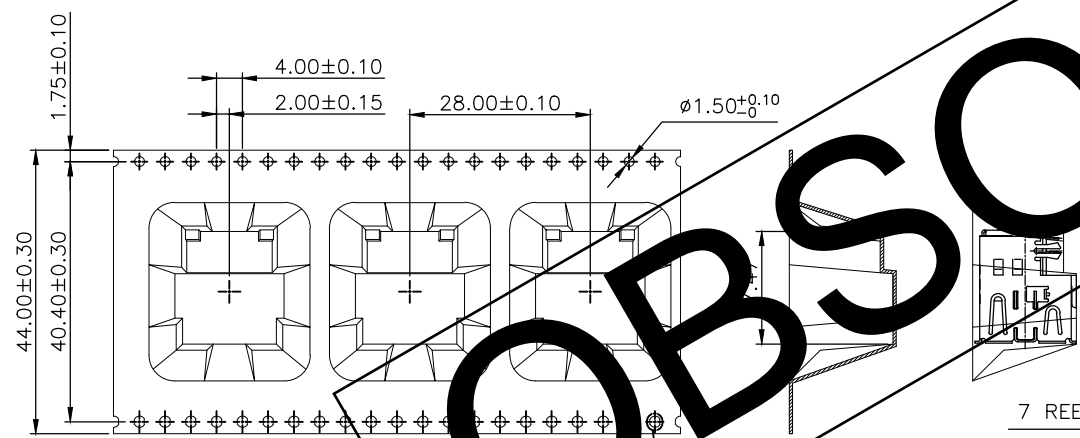
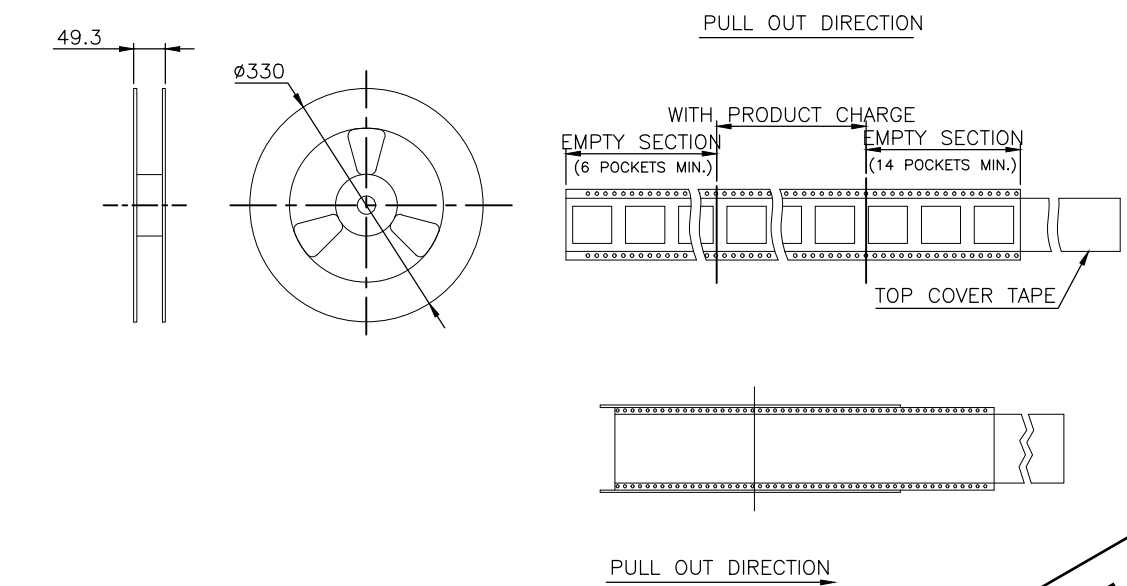
THIS DRAWING IS A CONTROLLED DOCUMENT.

DIMENSIONS: MM	TOLERANCES UNLESS OTHERWISE SPECIFIED:		
	0 PLC ± - 1 PLC ± - 2 PLC ± - 3 PLC ± - 4 PLC ± - ANGLES ± -	NAME USB CONNECTOR, A SERIES, STACKED, OFFSET TYPE	
MATERIAL	FINISH	SIZE	RESTRICTED TO
		A300779	
		DRAWING NO	
		C-1734062	
		WEIGHT	
		CUSTOMER DRAWING	
		SCALE	
		SHEET	
		16 of 24	
		REV	G8

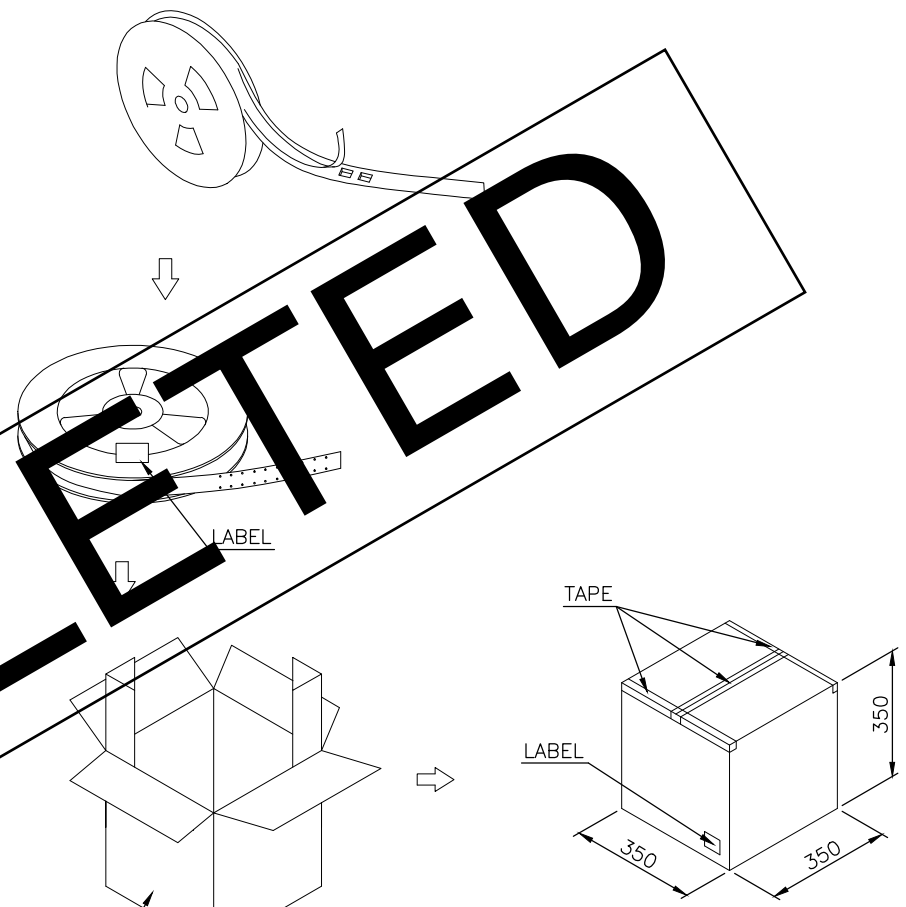


THIS DRAWING IS UNPUBLISHED. RELEASED FOR PUBLICATION  
 © COPYRIGHT BY TYCO ELECTRONICS CORPORATION. ALL RIGHTS RESERVED.

LOC DW	DIST -	REVISIONS			
P	LTR	DESCRIPTION	DATE	DWN	APVD
		SEE SHEET 1.			



SHIPPING BOX  
7 REELS / SHIPPING BOX



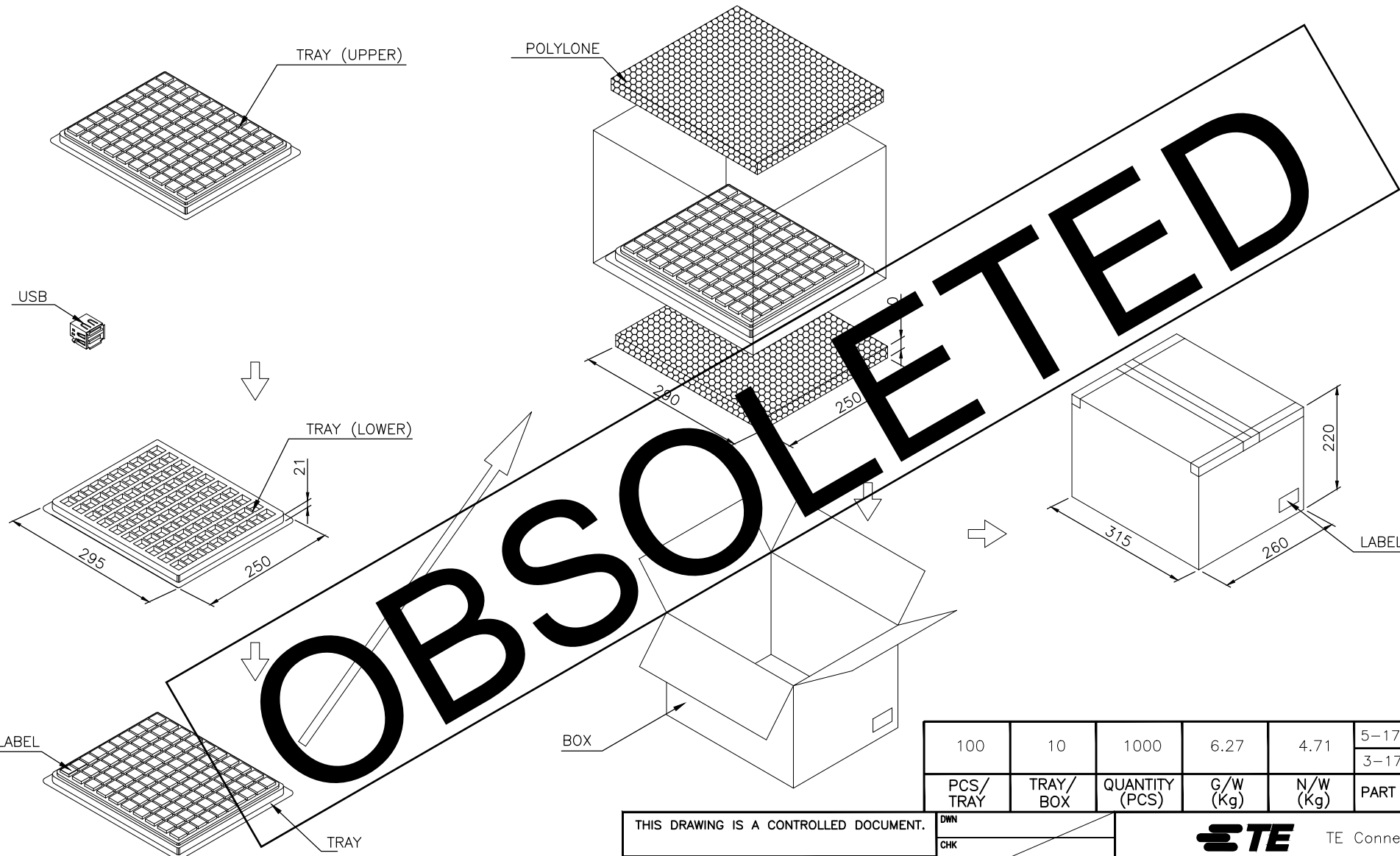
**OBSOLETE**

120	7	840	9.05	3.96	3-1734062-4
					3-1734062-3
PCS/ REEL	REELS/ BOX	QUANTITY (PCS)	G/W (Kg)	N/W (Kg)	PART NUMBER

THIS DRAWING IS A CONTROLLED DOCUMENT.		DWN	<b>STE</b> TE Connectivity		
DIMENSIONS: MM		CHK			
TOLERANCES UNLESS OTHERWISE SPECIFIED:		APVD	NAME		
0 PLC	$\pm -$	PRODUCT SPEC	USB CONNECTOR, A SERIES, STACKED, OFFSET TYPE		
1 PLC	$\pm -$	APPLICATION SPEC	SIZE	CAGE CODE	DRAWING NO
2 PLC	$\pm -$	WEIGHT	A3	00779	C-1734062
3 PLC	$\pm -$	CUSTOMER DRAWING		SCALE	SHEET 17 of 24
4 PLC	$\pm -$			RESTRICTED TO	REV G8
ANGLES	$\pm -$				
FINISH	-				

THIS DRAWING IS UNPUBLISHED. RELEASED FOR PUBLICATION  
 © COPYRIGHT BY TYCO ELECTRONICS CORPORATION. ALL RIGHTS RESERVED.

LOC		DIST		REVISIONS			
P	LTR	DESCRIPTION		DATE	DWN	APVD	
		SEE SHEET 1.					



100	10	1000	6.27	4.71	5-1734062-2	OBSOLETE
PCS/TRAY	TRAY/BOX	QUANTITY (PCS)	G/W (Kg)	N/W (Kg)	3-1734062-1	
					PART NUMBER	

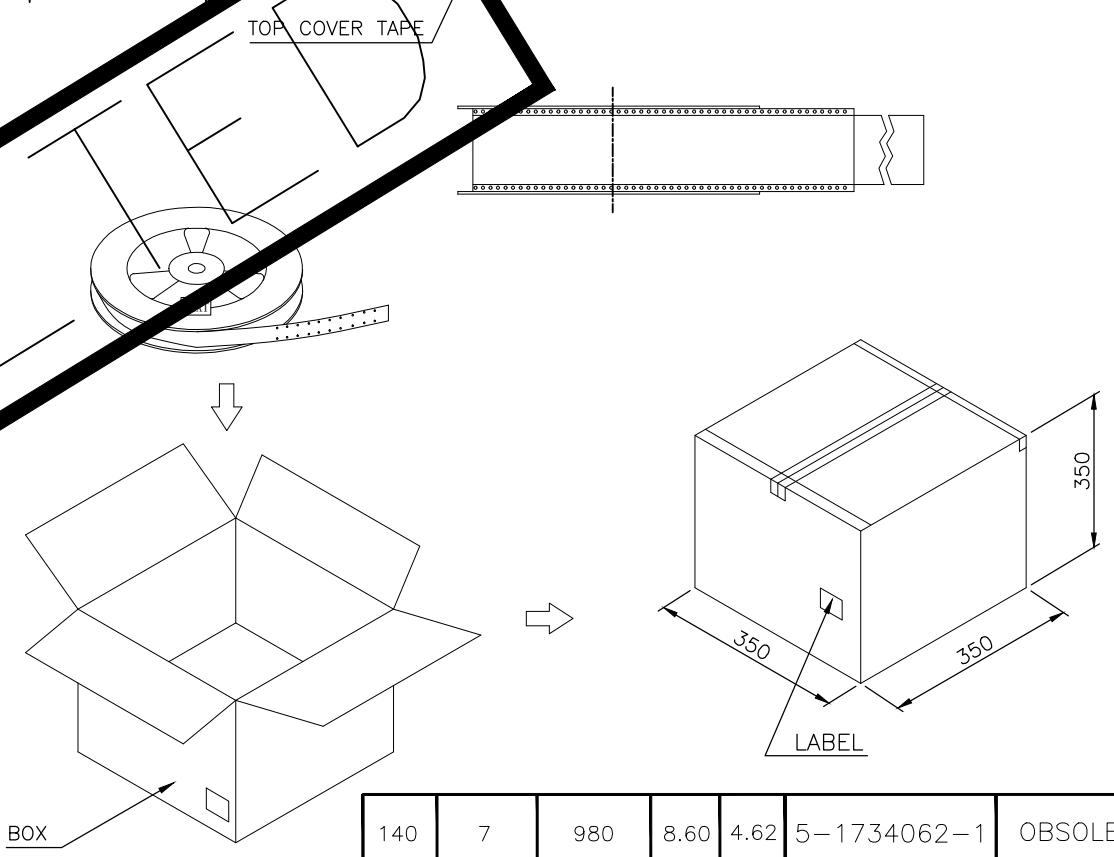
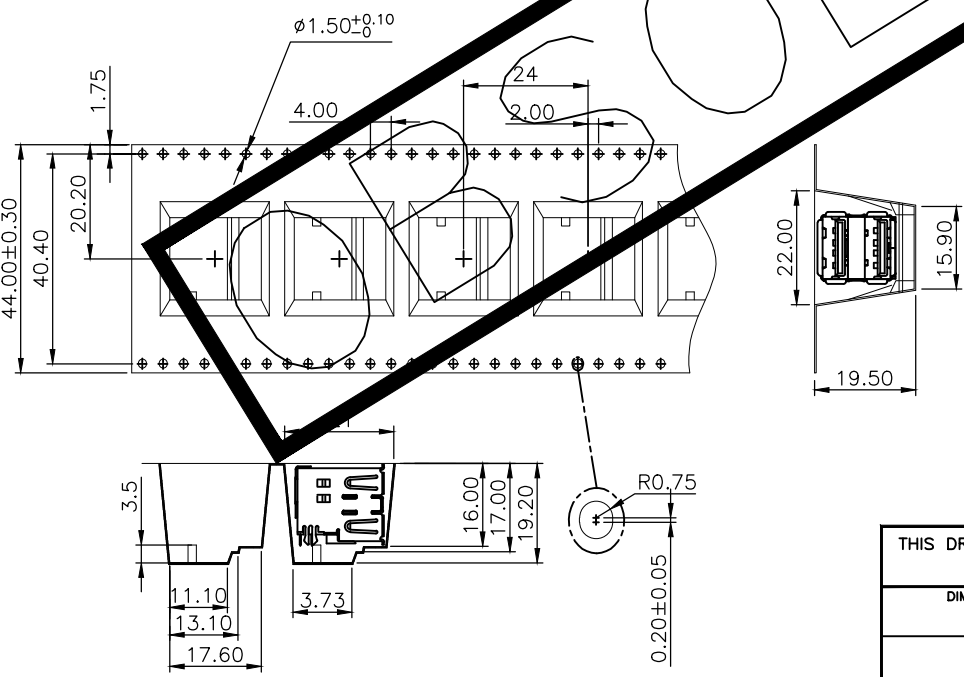
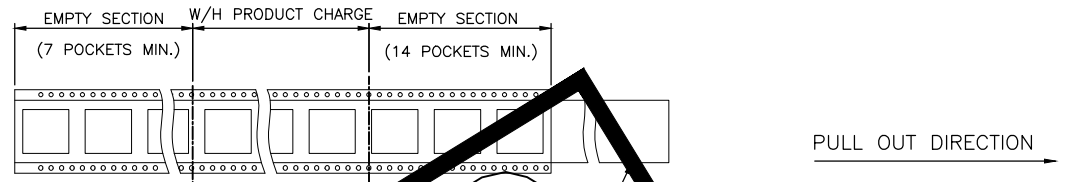
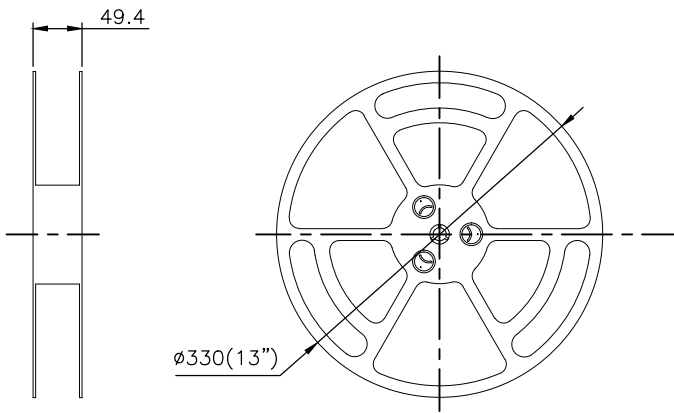
THIS DRAWING IS A CONTROLLED DOCUMENT.

DIMENSIONS: MM		TOLERANCES UNLESS OTHERWISE SPECIFIED:	
		0 PLC	± -
		1 PLC	± -
		2 PLC	± -
		3 PLC	± -
		4 PLC	± -
MATERIAL		FINISH	

DWN		TE Connectivity				
CHK						
APVD		NAME				
PRODUCT SPEC		USB CONNECTOR, A SERIES, STACKED, OFFSET TYPE				
APPLICATION SPEC		SIZE		CAGE CODE	DRAWING NO	RESTRICTED TO
WEIGHT		A300779		C-1734062		
CUSTOMER DRAWING				SCALE	SHEET 18 of 24	REV G8

THIS DRAWING IS UNPUBLISHED. RELEASED FOR PUBLICATION  
 © COPYRIGHT BY TYCO ELECTRONICS CORPORATION. ALL RIGHTS RESERVED.

LOC DW	DIST	REVISIONS			
P	LTR	DESCRIPTION	DATE	DWN	APVD
		SEE SHEET 1.			



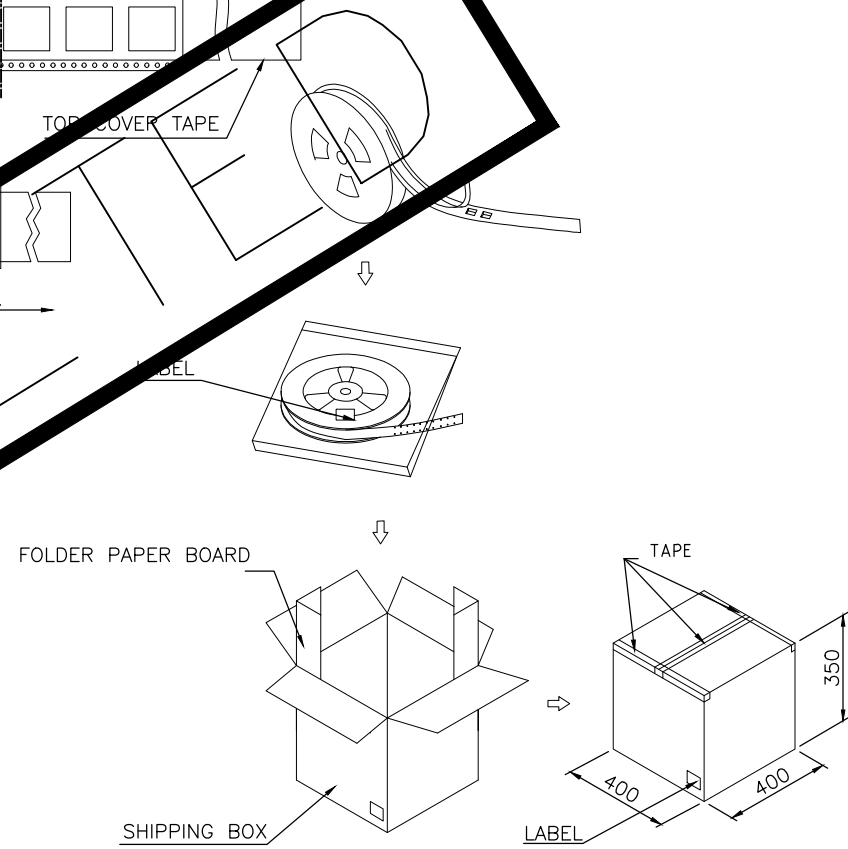
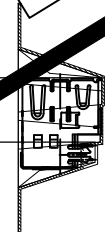
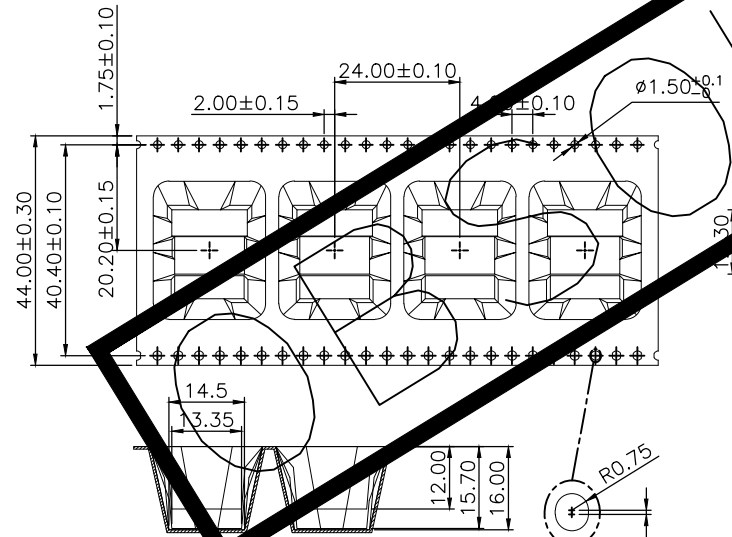
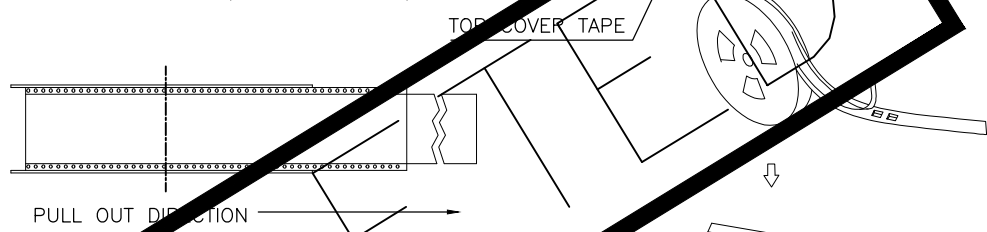
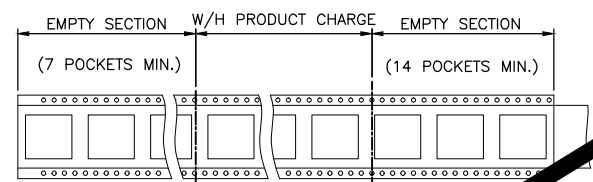
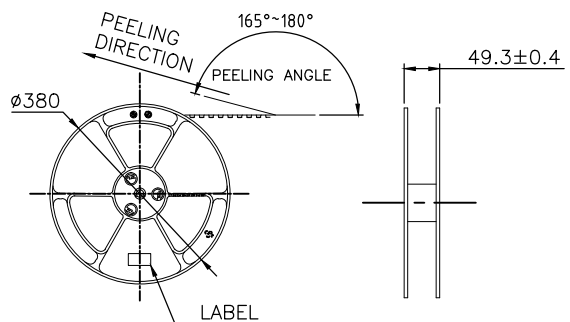
140	7	980	8.60	4.62	5-1734062-1	OBSOLETE
PCS/REEL	REELS/BOX	QUANTITY (PCS)	G/W (Kg)	N/W (Kg)	PART NUMBER	

THIS DRAWING IS A CONTROLLED DOCUMENT.

DIMENSIONS: MM	TOLERANCES UNLESS OTHERWISE SPECIFIED:	DWN		CHK		APVD		NAME	
	0 PLC ±	TE Connectivity		TE Connectivity		TE Connectivity		USB CONNECTOR, A SERIES, STACKED, OFFSET TYPE	
	1 PLC ±	PRODUCT SPEC		APPLICATION SPEC		SIZE		CAGE CODE	
	2 PLC ±	WEIGHT		A300779		DRAWING NO		RESTRICTED TO	
	3 PLC ±	CUSTOMER DRAWING		SCALE		SHEET		REV	
	4 PLC ±					19 of 24		G8	
MATERIAL	FINISH								

THIS DRAWING IS UNPUBLISHED. RELEASED FOR PUBLICATION  
 © COPYRIGHT BY TYCO ELECTRONICS CORPORATION. ALL RIGHTS RESERVED.

LOC DW	DIST	REVISIONS			
P	LTR	DESCRIPTION	DATE	DWN	APVD
		SEE SHEET 1.			



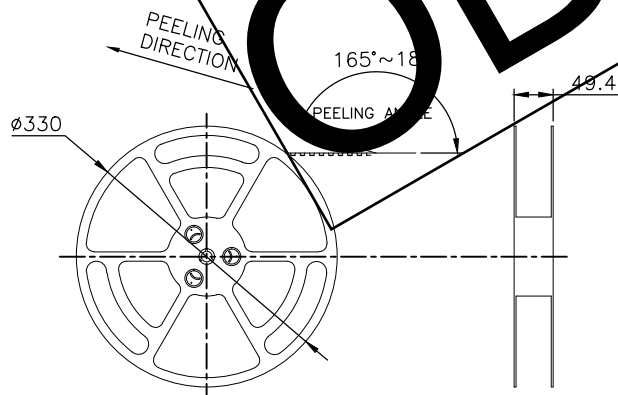
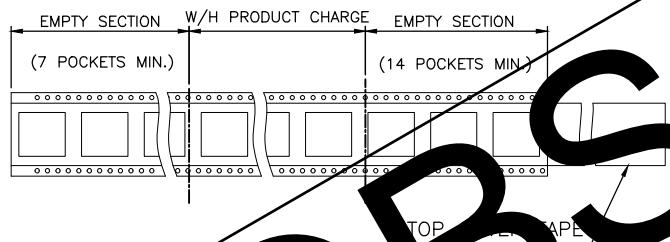
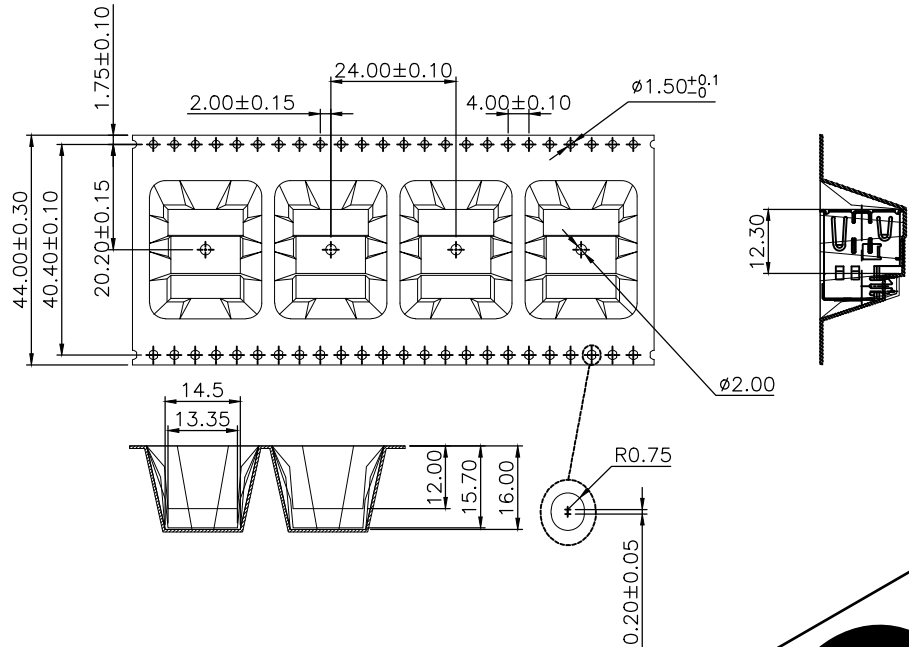
11.20 Kg	6.10 Kg	200	7	1400 PCS	4-1734062-2	OBSOLETE
GROSS WEIGHT	NET WEIGHT	PCS/REEL	REELS/CARTON	QUANTITY	PART NUMBER	

THIS DRAWING IS A CONTROLLED DOCUMENT.

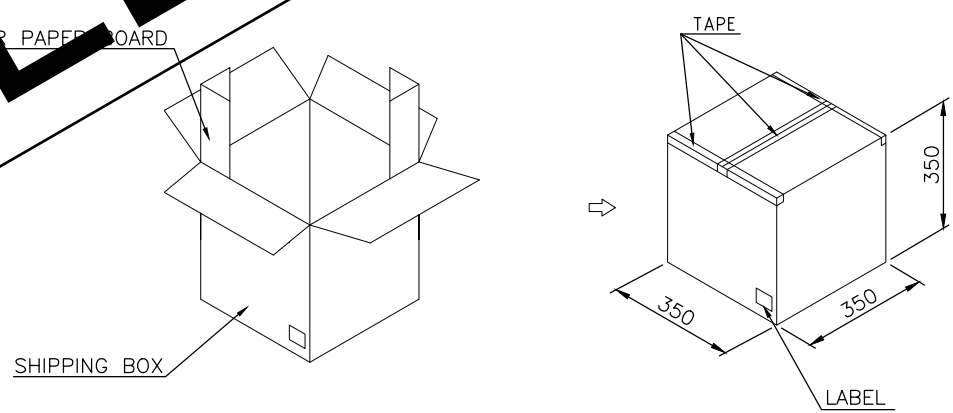
DIMENSIONS:	TOLERANCES UNLESS OTHERWISE SPECIFIED:	DWN	
MM		CHK	TE Connectivity
0 PLC ± -	1 PLC ± -	APVD	NAME
2 PLC ± -	3 PLC ± -	PRODUCT SPEC	USB CONNECTOR, A SERIES, STACKED, OFFSET TYPE
4 PLC ± -	ANGLES ± -	APPLICATION SPEC	SIZE CAGE CODE DRAWING NO
MATERIAL	FINISH	WEIGHT	A300779 C-1734062
		CUSTOMER DRAWING	RESTRICTED TO
		SCALE	SHEET 20 of 24 REV G8

THIS DRAWING IS UNPUBLISHED. RELEASED FOR PUBLICATION  
 © COPYRIGHT BY TYCO ELECTRONICS CORPORATION. ALL RIGHTS RESERVED.

LOC DW	DIST	REVISIONS			
P	LTR	DESCRIPTION	DATE	DWN	APVD
		SEE SHEET 1.			



**OBSOLETE**

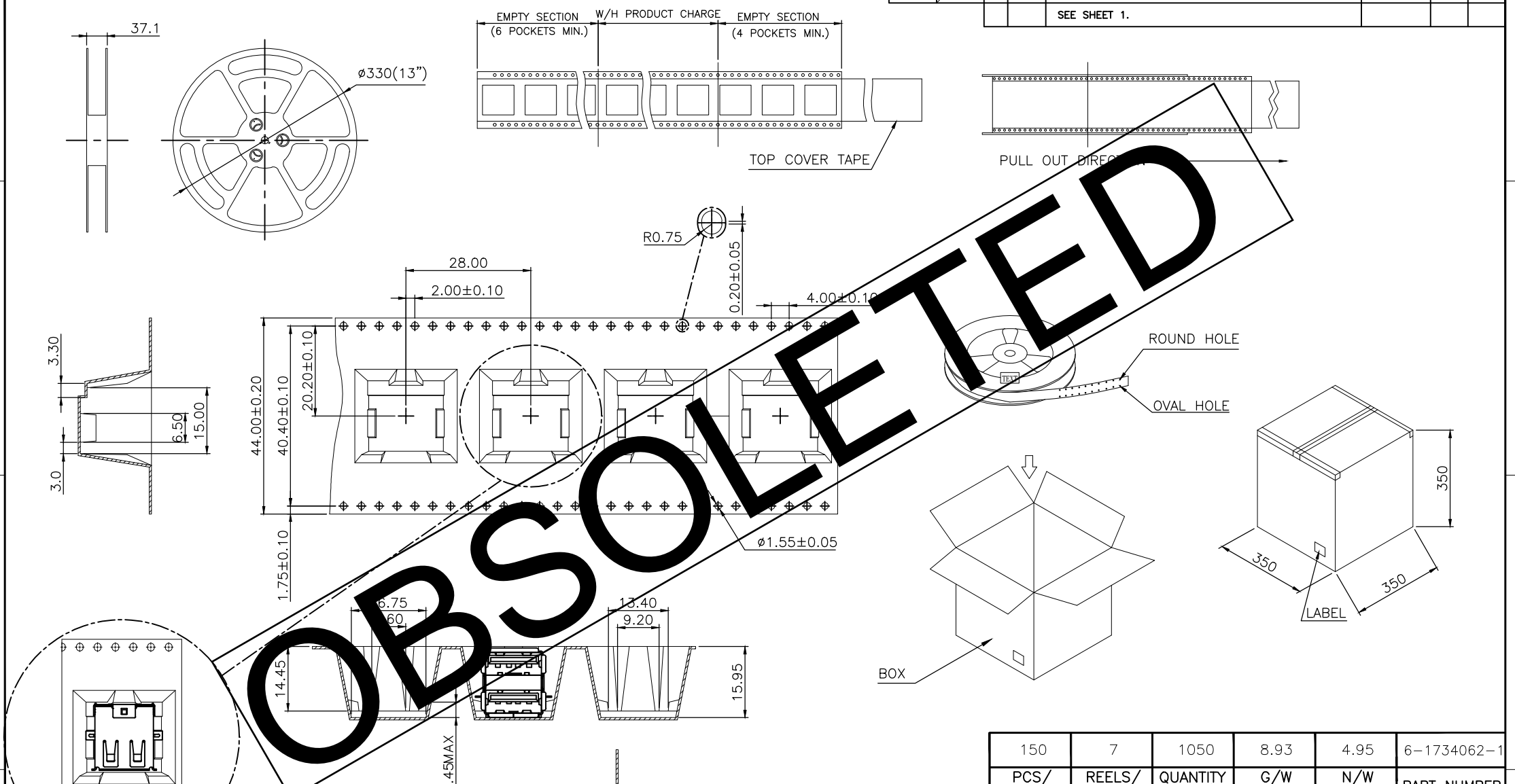


7.01 Kg	2.98 Kg	100	7	700 PCS	4-1734062-3
GROSS WEIGHT	NET WEIGHT	PCS/REEL	REELS/CARTON	QUANTITY	PART NUMBER

THIS DRAWING IS A CONTROLLED DOCUMENT.		DWN	TE Connectivity		
DIMENSIONS: MM		CHK	NAME		
TOLERANCES UNLESS OTHERWISE SPECIFIED:		APVD	USB CONNECTOR, A SERIES, STACKED, OFFSET TYPE		
0 PLC	± -	PRODUCT SPEC	SIZE CAGE CODE DRAWING NO RESTRICTED TO		
1 PLC	± -	APPLICATION SPEC	A3	00779	C-1734062
2 PLC	± -	WEIGHT	CUSTOMER DRAWING SCALE SHEET 21 of 24 REV G8		
3 PLC	± -				
4 PLC	± -				
ANGLES	± -				
FINISH					

THIS DRAWING IS UNPUBLISHED. RELEASED FOR PUBLICATION  
© COPYRIGHT BY TYCO ELECTRONICS CORPORATION. ALL RIGHTS RESERVED.

LOC		DIST		REVISIONS					
DW				P	LTR	DESCRIPTION	DATE	DWN	APVD
				SEE SHEET 1.					

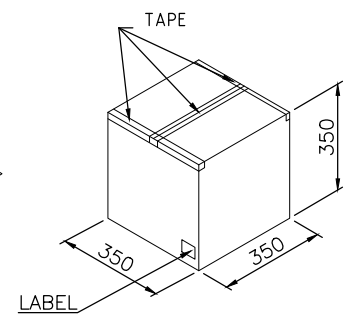
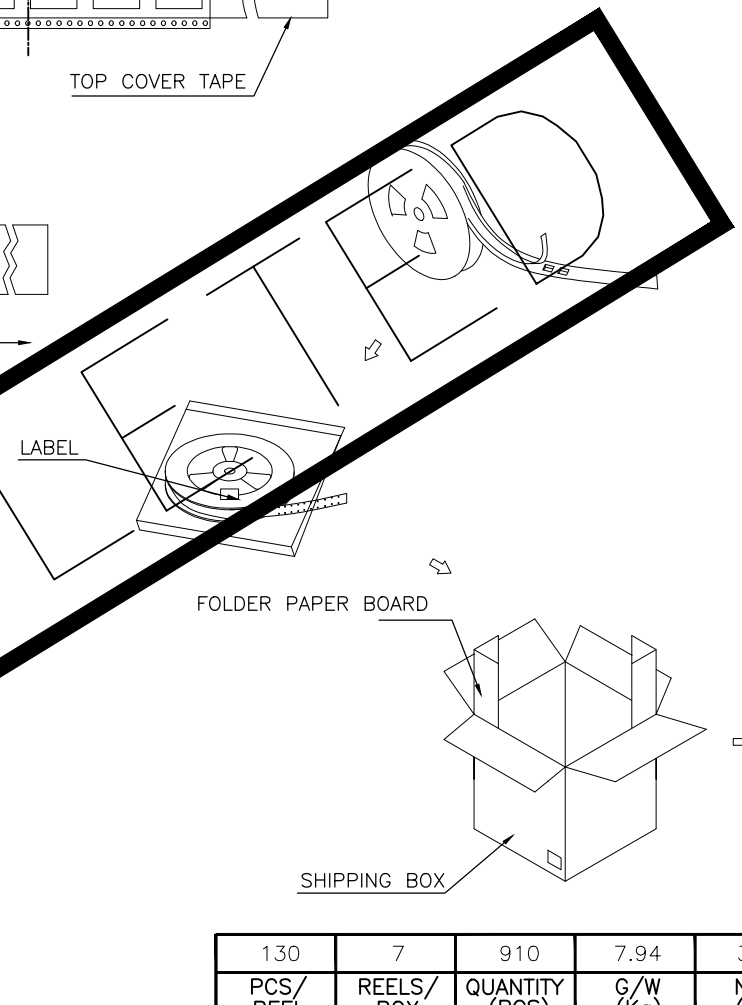
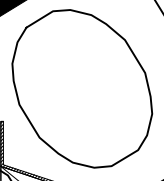
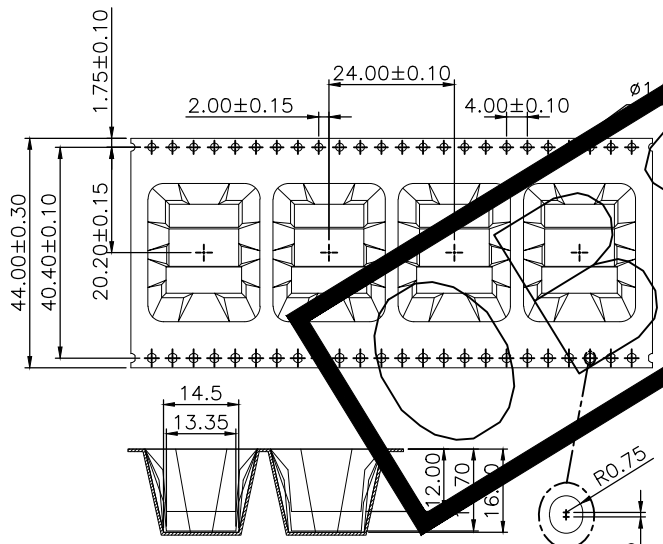
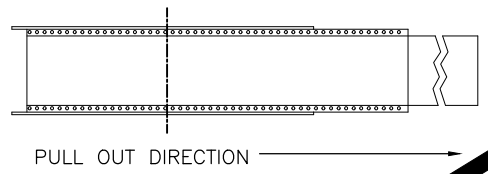
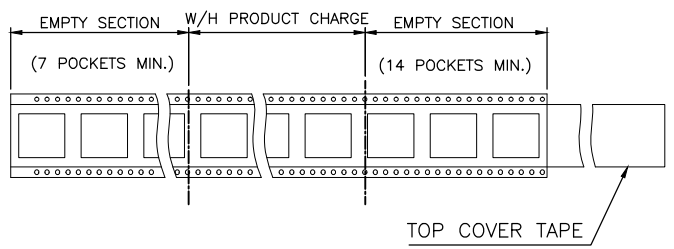
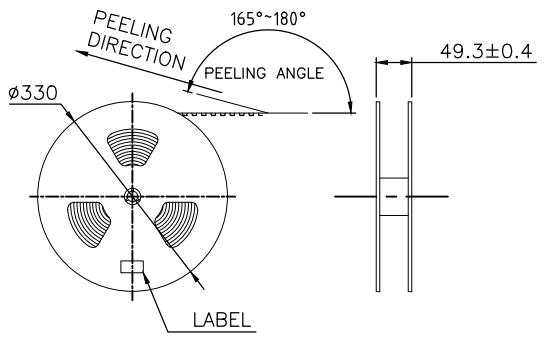


150	7	1050	8.93	4.95	6-1734062-1
PCS/REEL	REELS/BOX	QUANTITY (PCS)	G/W (Kg)	N/W (Kg)	PART NUMBER

THIS DRAWING IS A CONTROLLED DOCUMENT.		DWN		TE Connectivity NAME USB CONNECTOR, A SERIES, STACKED, OFFSET TYPE	
DIMENSIONS: MM		CHK			
TOLERANCES UNLESS OTHERWISE SPECIFIED: 0 PLC ± - 1 PLC ± - 2 PLC ± - 3 PLC ± - 4 PLC ± - ANGLES ± -		APVD		PRODUCT SPEC	
MATERIAL		FINISH		APPLICATION SPEC	
				WEIGHT	
				SIZE	
				CAGE CODE	
				DRAWING NO	
				RESTRICTED TO	
				A300779	
				C-1734062	
				CUSTOMER DRAWING	
				SCALE	
				SHEET	
				22 of 24	
				REV G8	

THIS DRAWING IS UNPUBLISHED. RELEASED FOR PUBLICATION  
 © COPYRIGHT BY TYCO ELECTRONICS CORPORATION. ALL RIGHTS RESERVED.

LOC DW	DIST	REVISIONS			
P	LTR	DESCRIPTION	DATE	DWN	APVD
		SEE SHEET 1.			



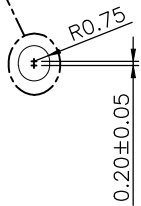
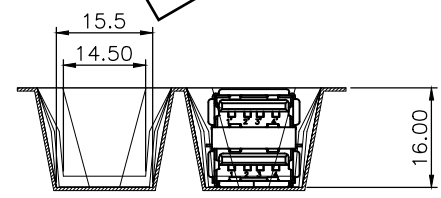
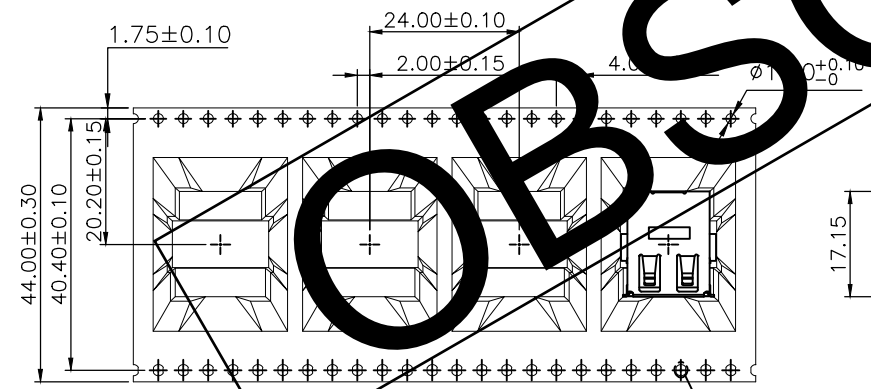
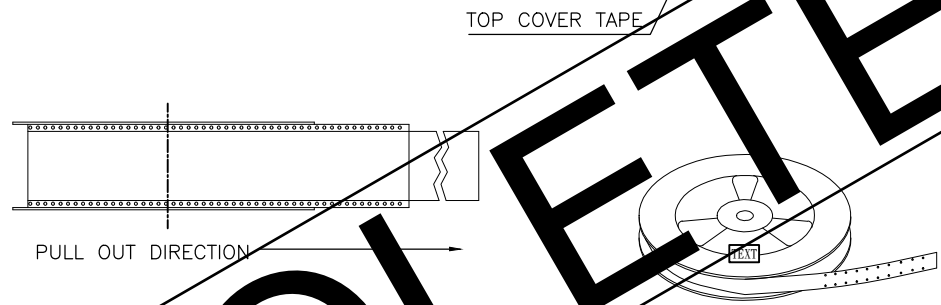
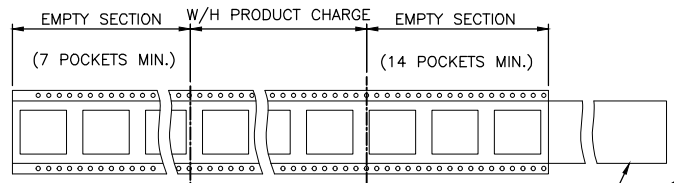
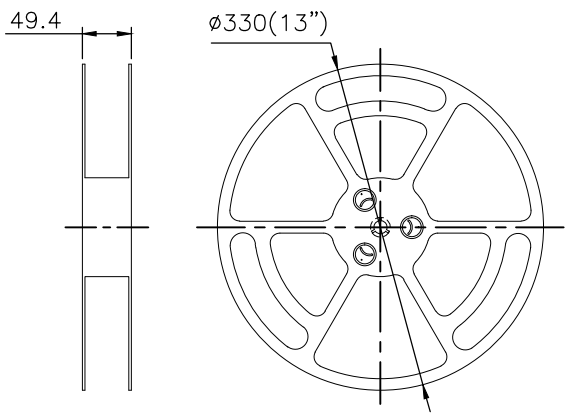
130	7	910	7.94	3.91	7-1734062-1	OBSOLETE
PCS/REEL	REELS/BOX	QUANTITY (PCS)	G/W (Kg)	N/W (Kg)	PART NUMBER	

THIS DRAWING IS A CONTROLLED DOCUMENT.

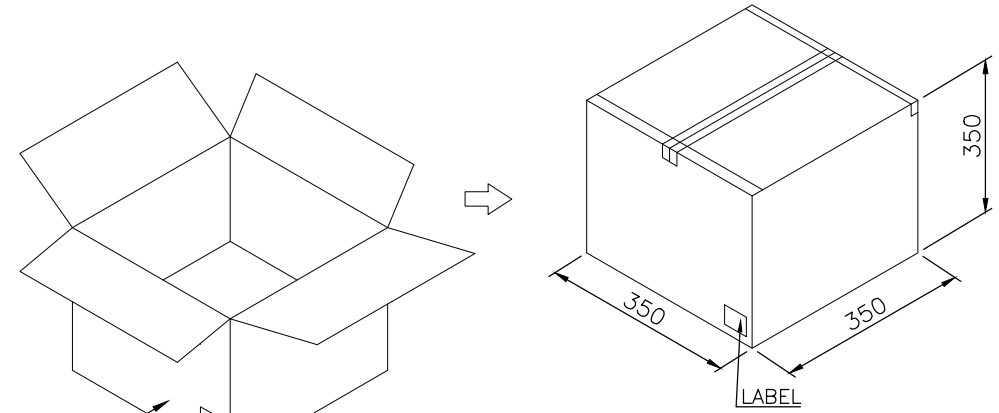
DIMENSIONS: MM	TOLERANCES UNLESS OTHERWISE SPECIFIED:	DWN		CHK		APVD		NAME	
	0 PLC ± -	/		/		/		TE Connectivity	
	1 PLC ± -	/		/		/		USB CONNECTOR, A SERIES, STACKED, OFFSET TYPE	
	2 PLC ± -	/		/		/		SIZE CAGE CODE DRAWING NO	
	3 PLC ± -	/		/		/		A3 00779 C-1734062	
	4 PLC ± -	/		/		/		RESTRICTED TO	
	ANGLES ± -	/		/		/		/	
MATERIAL	FINISH	WEIGHT		CUSTOMER DRAWING		SCALE		SHEET 23 of 24	
								REV G8	

THIS DRAWING IS UNPUBLISHED. RELEASED FOR PUBLICATION  
 © COPYRIGHT BY TYCO ELECTRONICS CORPORATION. ALL RIGHTS RESERVED.

LOC DW	DIST	REVISIONS			
P	LTR	DESCRIPTION	DATE	DWN	APVD
		SEE SHEET 1.			



**OBSOLETE**



180	7	1260	9.40	5.42	8-1734062-1
PCS/REEL	REELS/BOX	QUANTITY (PCS)	G/W (Kg)	N/W (Kg)	PART NUMBER

THIS DRAWING IS A CONTROLLED DOCUMENT.		DWN	TE Connectivity			
DIMENSIONS: MM		CHK				
TOLERANCES UNLESS OTHERWISE SPECIFIED: 0 PLC ± - 1 PLC ± - 2 PLC ± - 3 PLC ± - 4 PLC ± - ANGLES ± - MATERIAL FINISH		APVD	NAME			
		PRODUCT SPEC	USB CONNECTOR, A SERIES, STACKED, OFFSET TYPE			
		APPLICATION SPEC	SIZE	CAGE CODE	DRAWING NO	RESTRICTED TO
		WEIGHT	A3	00779	1734062	
CUSTOMER DRAWING			SCALE	SHEET	24 of 24	REV G8