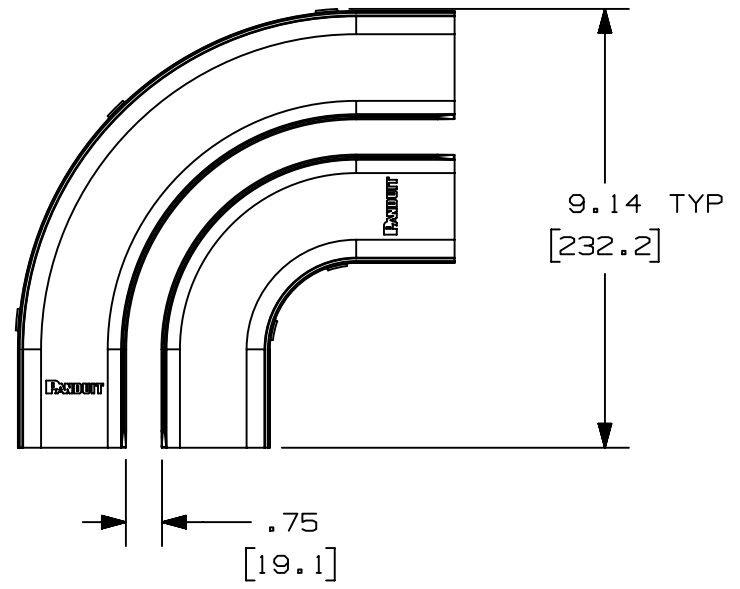


2

1

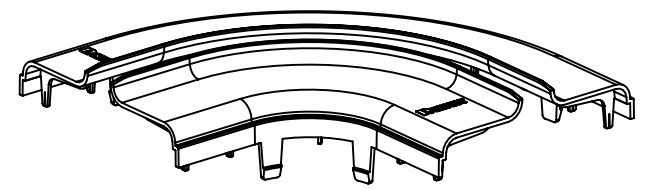
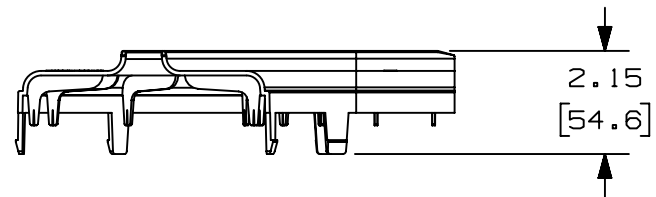
THIS COPY IS PROVIDED ON A RESTRICTED BASIS AND IS NOT TO BE USED IN ANY WAY DETRIMENTAL TO THE INTERESTS OF PANDUIT CORP.

PANDUIT PART NUMBER	WEIGHT	MATERIAL
FRRASC4	0.32 LB/EACH (145g/EACH)	ABS
FRRASC4L	0.32 LB/EACH (145g/EACH)	PC/ABS



NOTES:

1. SEE CURRENT CATALOG FOR ADDITIONAL PART SUFFIXES TO INDICATE COLOR AND/OR PACKAGE QUANTITY.
2. THE FIBERRUNNER 4x4 HORIZONTAL RIGHT ANGLE SPLIT COVER REQUIRES NO TOOLS FOR INSTALLATION AND/OR REMOVAL. THE SPLIT COVER CREATES A 3/4" (19.1) RADIUS OPENING TO ALLOW FOR NEW CABLES TO BE ADDED WITHOUT THE NEED FOR REMOVING THE COVERS.
3. DIMENSIONS IN PARENTHESES ARE IN METRIC.



B

B

A

A

REV	DATE	BY	CHK	APR	DESCRIPTION	ECN
02B	8/28/2020	MES	DWR	DWR	ADDED PART NUMBER	V09002DZ/11
2	05-15-13	JBN	RTFI	RN	F. UPDATED DRAWING BORDER & TITLE BLOCK	37847-55

TITLE FIBERRUNNER 4X4 HORIZONTAL RIGHT ANGLE SPLIT COVER FRRASC4, FRRASC4L		CUSTOMER DRAWING	
ITEM REVISION NAME D37847CW/01		PANDUIT	
DATASET FILE NAME D37847CW_DC_FRRASC4/01C			
UNLESS OTHERWISE SPECIFIED, DIMENSIONAL TOLERANCES ARE: IN [mm]		MATERIAL: SEE PART NUMBER TABLE ABOVE	
.X ± .XX ± .03 [.8]		.XXX ± ANGLES ±	
THIRD ANGLE PROJECTION		DRAWING NUMBER: 37847-55	
DRAWN BY JHNU	DATE 07-16-01	CHK RPA	SCALE NONE
SHT 1 OF 1		SIZE A	

2

1

D101000A/15