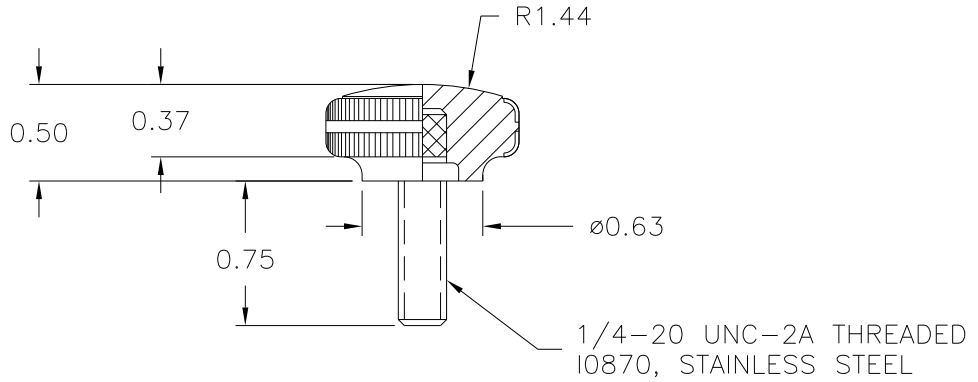
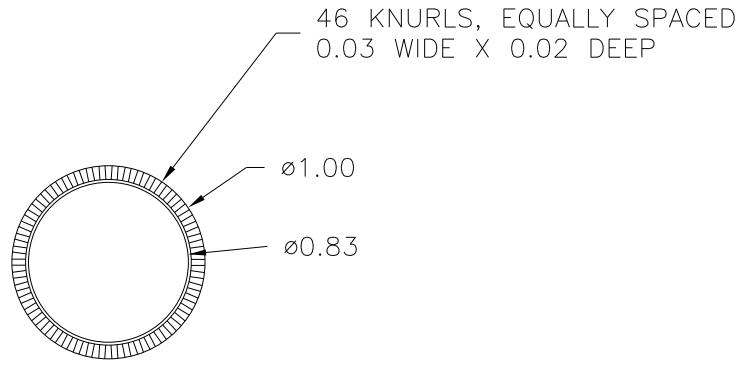


PART NAME: KNOB      SCALE: 1:1      DATE: 4/17/91      DR. BY HD

THIS DRAWING IS THE PROPERTY OF DAVIES MOLDING COMPANY, IS SUBMITTED SOLELY AS A DESIGN OR ENGINEERING PROJECT. WE ACCEPT NO RESPONSIBILITY WHATSOEVER FOR THE PRACTICAL APPLICATION OF THE PIECES MADE TO THIS DESIGN.



P/N	3065CT
M <sup>NO.</sup>	1475
CAVITY	3065
PLUNGER	3065
SHIMS	1 & 2
SPACER	3065
PIN	2965-DX
INSERT	I0870
PLUNGER KEY	1/4x1/4x7/16
CAVITY KEY	1/4x1/4x1/2



MATERIAL: #4311 PLENCO PHENOLIC  
COLOR: BLACK

TOLERANCES: UNLESS OTHERWISE SPECIFIED	DO NOT SCALE DRAWING			
DECIMALS: X.XXX ± .0105 X.XX  ± .015	MM: X.XX ± 0.15MM X.X  ± 0.4MM	-	CAD/REDRAWN	HD 4/4/96
FRACTIONS ± 1/64	ANG. ± 1°	CHANGES		