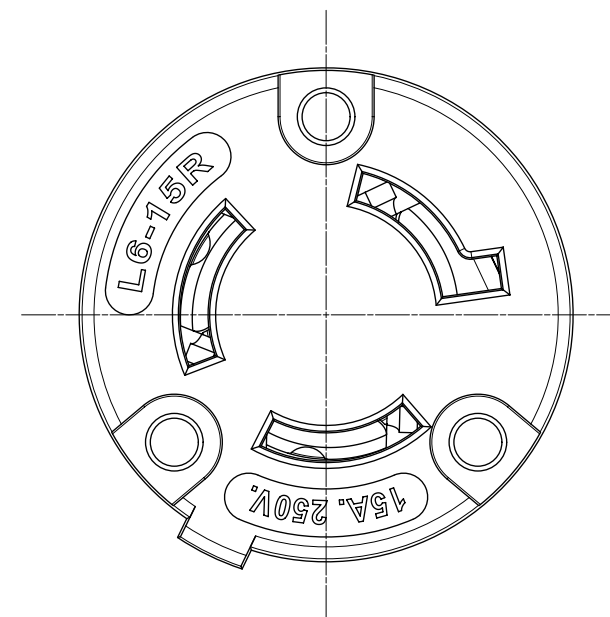
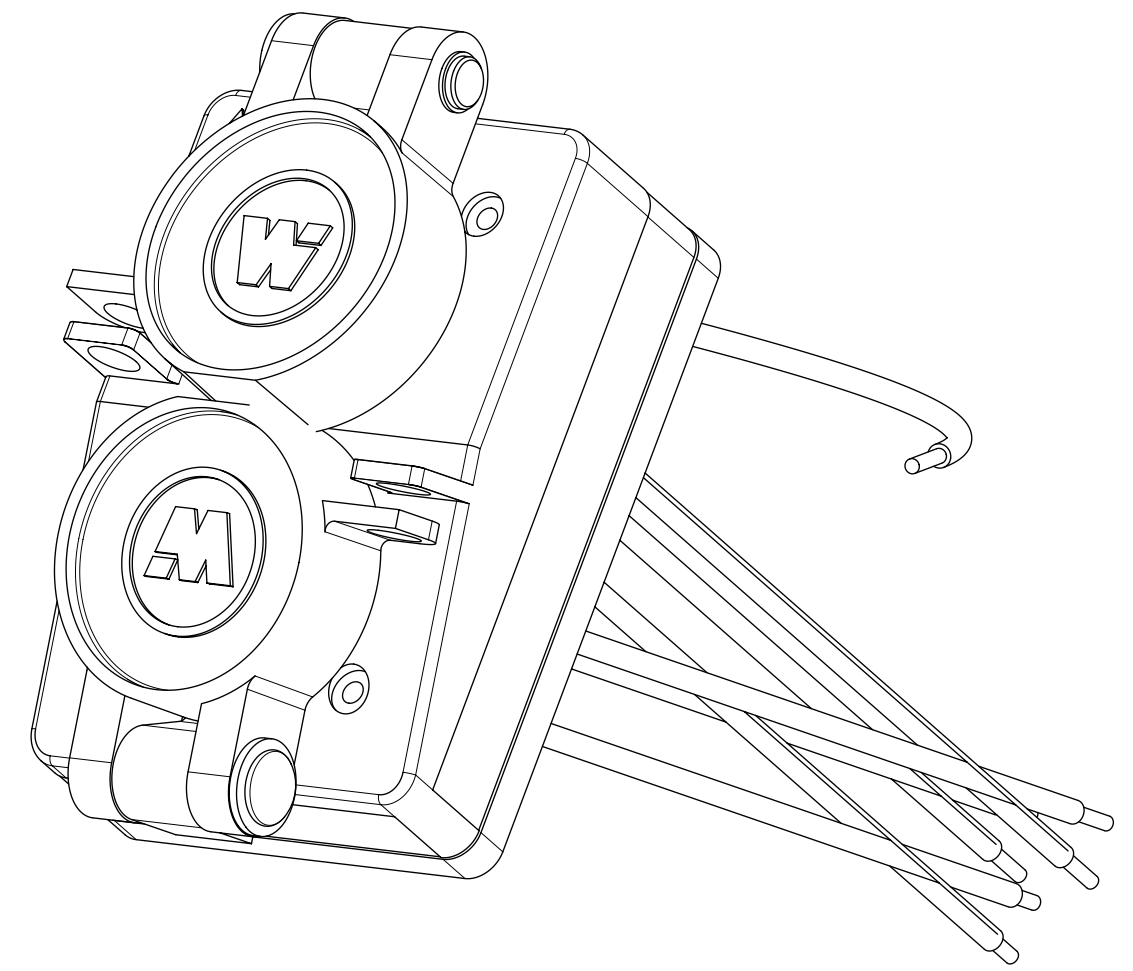
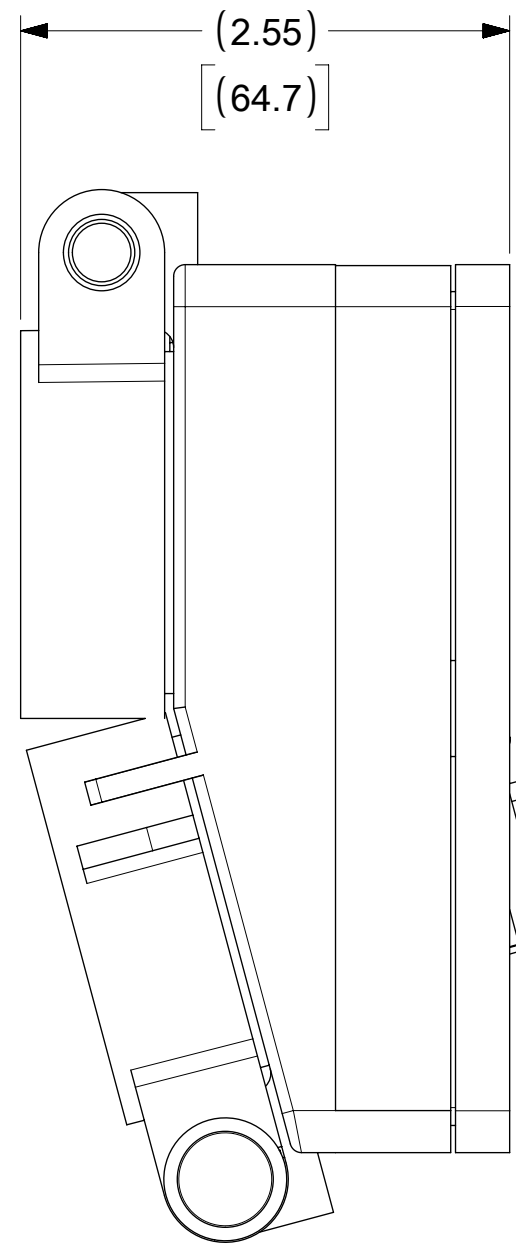
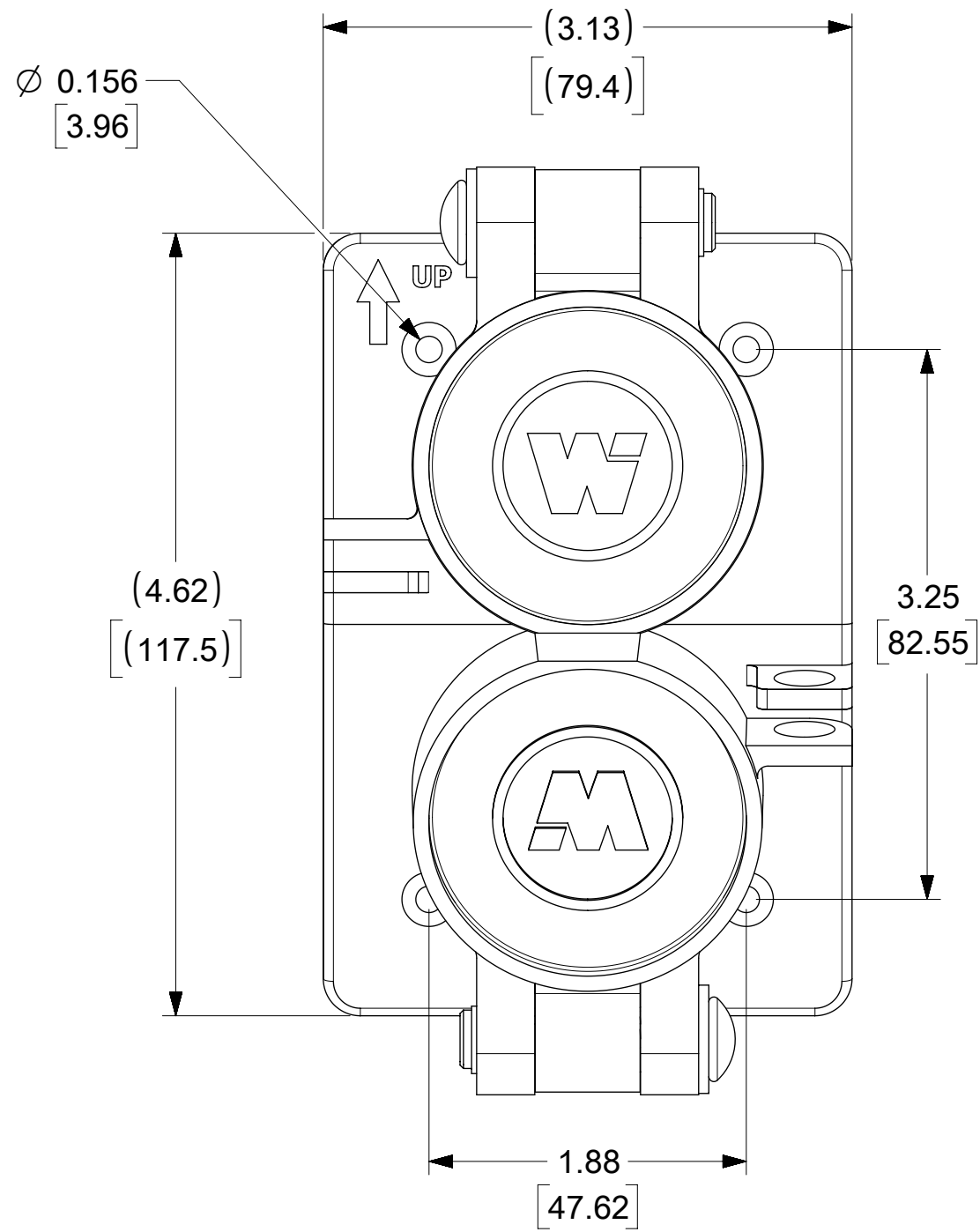
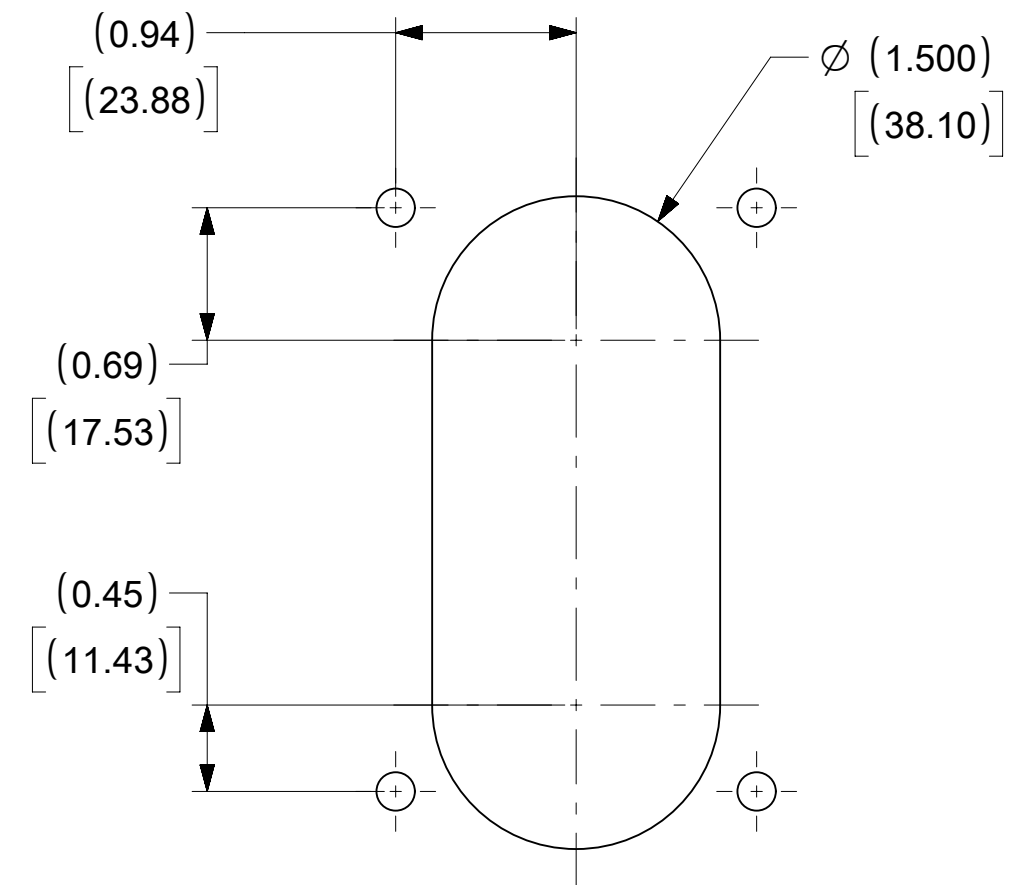


| | | |
|-------------|--------------|--------|
| ORDER NO. | WOODHEAD NO. | COLOR |
| 130146-0154 | 65W49DPLX | YELLOW |



FACE VIEW



CLEARANCE HOLE
(FOR PANEL MOUNT)

| DESCRIPTION | MATERIAL | QTY. |
|---------------------|------------------------------------|------|
| RETAINING SCREWS | STAINLESS STEEL | 6 |
| INSERT ASSY | NYLON, BRASS, NICKEL & ZINC PLATED | 2 |
| GASKET | NEOPRENE | 1 |
| BASE PLATE | POLYCARBONATE | 1 |
| COVER FLIP LID | POLYCARBONATE | 2 |
| COVER PLATE | STAINLESS STEEL | 1 |
| SCREW (GROUND WIRE) | STAINLESS STEEL | 1 |
| FLAT WASHER | STAINLESS STEEL | 2 |
| RIVET | ALUMINUM | 2 |
| TORSION SPRING | STAINLESS STEEL WIRE | 2 |
| WASHER | STAINLESS STEEL | 2 |
| DOME PUSH CAP | STAINLESS STEEL | 2 |
| JUMPER WIRE ASSY | COPPER, BRASS (TINNED FINISH) | 1 |
| #12-1 BLACK WIRE | COPPER WIRE | 2 |
| #12-1 WHITE WIRE | COPPER WIRE | 2 |
| #12-1 GREEN WIRE | COPPER WIRE | 2 |

| | | | | | | | | | |
|-----------------------------------------------------------------------------------------------------------------------------------------------|------------------------------------------------------|------------------------|------|---------|--|--------------------------------------|--|-----------------|--|
| THIS DRAWING CONTAINS INFORMATION THAT IS PROPRIETARY TO MOLEX ELECTRONIC TECHNOLOGIES, LLC AND SHOULD NOT BE USED WITHOUT WRITTEN PERMISSION | | | | | | | | | |
| SYMBOLS | | DIMENSION UNITS | | SCALE | | CURRENT REV DESC: MIGRATE TO NX/ECTR | | | |
| ▽ = 0 | INCH | MM | NTS | | | | | | |
| ▽ = 0 | GENERAL TOLERANCES (UNLESS SPECIFIED) | | | | | | | | |
| ▽ = 0 | | MM | INCH | | | | | | |
| ▽ = 0 | 4 PLACES | ± | ± | | | EC NO: 613579 | | | |
| ▽ = 0 | 3 PLACES | ± | ± | | | DRWN: SRPATIL 2019/01/10 | | | |
| ▽ = 0 | 2 PLACES | ± | ± | | | CHK'D: DNGUYEN62 2019/03/14 | | | |
| ▽ = 0 | 1 PLACE | ± | ± | | | APPR: HKNEELAND 2019/03/21 | | | |
| ▽ = 0 | 0 PLACES | ± | ± | | | INITIAL REVISION: | | | |
| ▽ = 0 | ANGULAR TOL | ± | ° | | | DRWN: SRPATIL 2019/01/10 | | | |
| ▽ = 0 | DRAFT WHERE APPLICABLE MUST REMAIN WITHIN DIMENSIONS | | | | | APPR: HKNEELAND 2019/03/21 | | | |
| | | THIRD ANGLE PROJECTION | | DRAWING | | SERIES | | MATERIAL NUMBER | |
| | | C-SIZE | | 130146 | | SEE TABLE | | CUSTOMER | |
| | | | | | | GENERAL MARKET | | SHEET NUMBER | |
| | | | | | | | | 1 OF 1 | |

molex

WATERTITE FD DOUBLE COVERPLATE
2P3W L6-15

PRODUCT CUSTOMER DRAWING

DOCUMENT NUMBER DOC TYPE DOC PART REVISION

1301460154 PSD 000 A

MATERIAL NUMBER CUSTOMER SHEET NUMBER

SEE TABLE GENERAL MARKET 1 OF 1