

# Current Sense Inductors

FIS Series



- ➊ Current sense inductors, as feedback elements linking the output and pulse control circuitry, allow low-cost regulation of switch-mode power supplies
- ➋ Fully encapsulated with a frequency of 200 kHz maximum
- ➌ Isolation Pri to Sec: 2500 Vac
- ➍ Pri. current: 15 A maximum

## Electrical Specifications @ 25°C - Operating Temperature -40°C to +125°C

Part Number	Prim/Sec Ratio	Sec L (mH MIN)	Sec DCR (Ω MAX)	V x τ (MAX)
FIS 101NL	1/50	5.0	0.65	175 VμS
FIS 111NL	1/100	22.0	1.30	350 VμS
FIS 121NL	1/200	94.5	4.50	700 VμS

### Notes:

L: Inductance: (1-3) tested at 10 KHz & 10 mV

R<sub>t</sub> (Ω): Recommended Terminating Resistance

$$V \times \tau: V = R_t \times I_s \quad \tau = \frac{1}{2F}$$

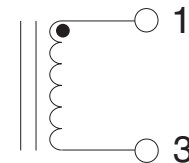
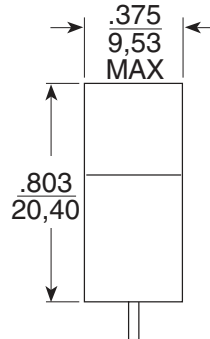
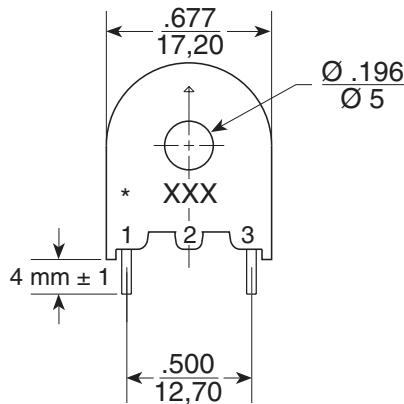
I<sub>s</sub> (A): sec. current

F(Hz): Frequency

## Mechanical

## Schematic

### FIS 1XXNL



## For More Information

### Pulse Worldwide Headquarters

12220 World Trade Drive  
San Diego, CA 92128  
U.S.A.

Tel: 858 674 8100  
Fax: 858 674 8262

### Pulse Europe

Einsteinstrasse 1  
D-71083 Herrenberg  
Germany

Tel: 49 7032 7806 0  
Fax: 49 7032 7806 135

### Pulse China Headquarters

B402, Shenzhen Academy of  
Aerospace Technology Bldg.  
10th Kejinan Road  
High-Tech Zone  
Nanshan District  
Shenzhen, PR China 518057  
Tel: 86 755 33966678  
Fax: 86 755 33966700

### Pulse North China

Room 2704/2705  
Super Ocean Finance Ctr.  
2067 Yan An Road West  
Shanghai 200336  
China

Tel: 86 21 62787060  
Fax: 86 2162786973

### Pulse South Asia

135 Joo Seng Road  
#03-02  
PM Industrial Bldg.  
Singapore 368363

Tel: 65 6287 8998  
Fax: 65 6287 8998

### Pulse North Asia

3F, No. 198  
Zhongyuan Road  
Zhongli City  
Taoyuan County 320  
Taiwan R. O. C.  
Tel: 886 3 4356768  
Fax: 886 3 4356823 (Pulse)  
Fax: 886 3 4356820 (FRE)

Performance warranty of products offered on this data sheet is limited to the parameters specified. Data is subject to change without notice. Other brand and product names mentioned herein may be trademarks or registered trademarks of their respective owners. © Copyright, 2015. Pulse Electronics, Inc. All rights reserved.