

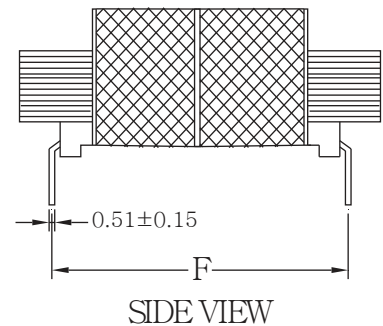
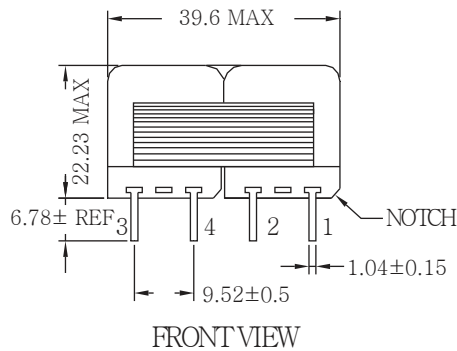
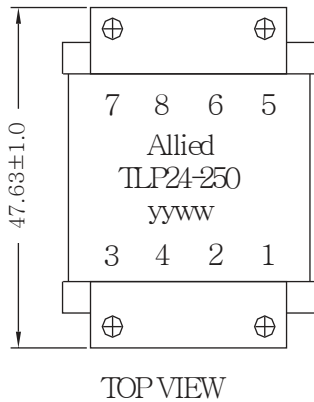
- Dual Two Section Nylon Bobbins
- Low Profile
- Made with UL Approved Materials

Electrical Specifications @25°C		
INPUT 115V 60Hz to 1-4 (1,3-2,4 PRI in parallel), I(x) = 25mA MAX	DC Resistance	Hi-Pot
OUTPUT: V (O) 5-6/7-8=16.20±3% VAC (NO LOAD, SEC in parallel)	7-8=8.50Ω±20%	PRI-SEC: 2000V
V (L) 5-6/7-8=12.0±5% VAC (SEC in parallel @ 500mA AC)	3-4=460Ω±20%	PRI-CORE:1500V
V (L) 5-8=32.50±3% VAC (NO LOAD, SEC in series)	5-6=8.50Ω±20%	SEC-CORE:1500V
V (L) 5-8=24.0±5% VAC (SEC in series @ 250mA AC)	1-2=460Ω±20%	

All specifications subject to change without notice.

**MECHANICAL**

Unit: mm



**SCHEMATICS**

