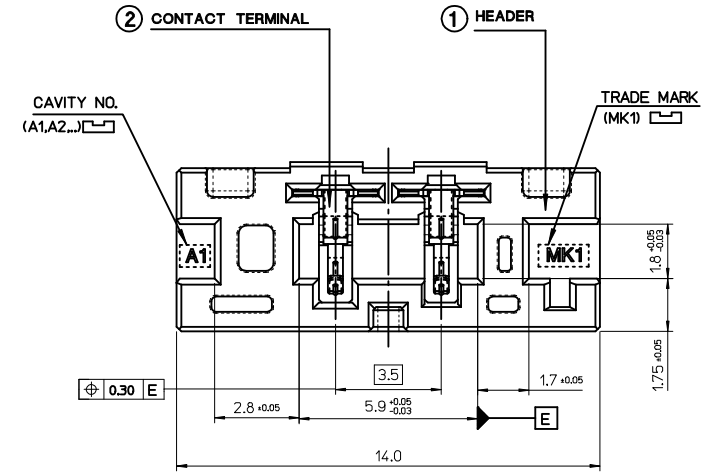
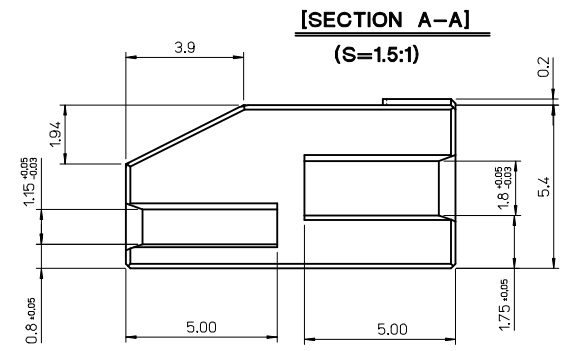
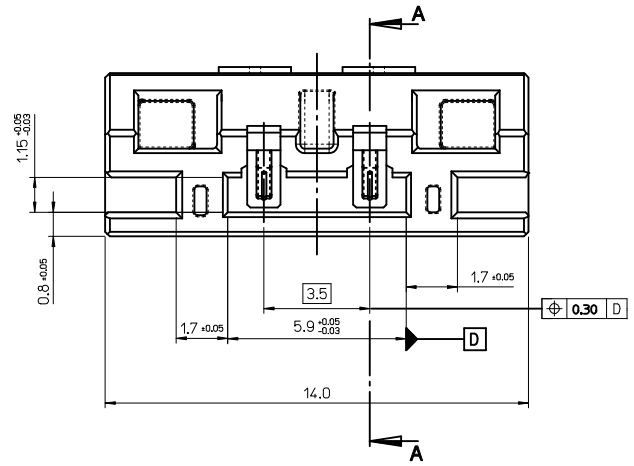
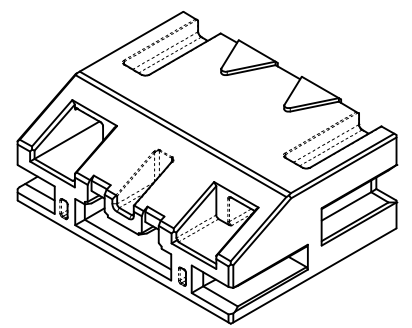
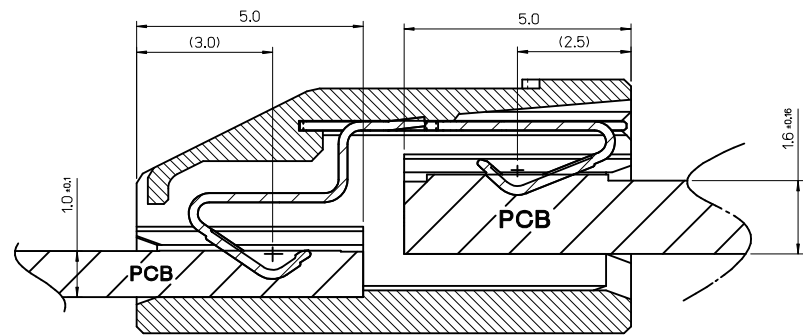
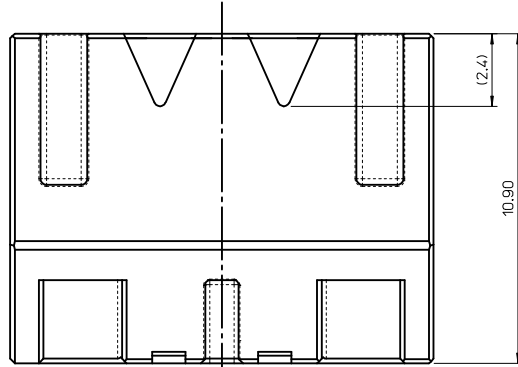


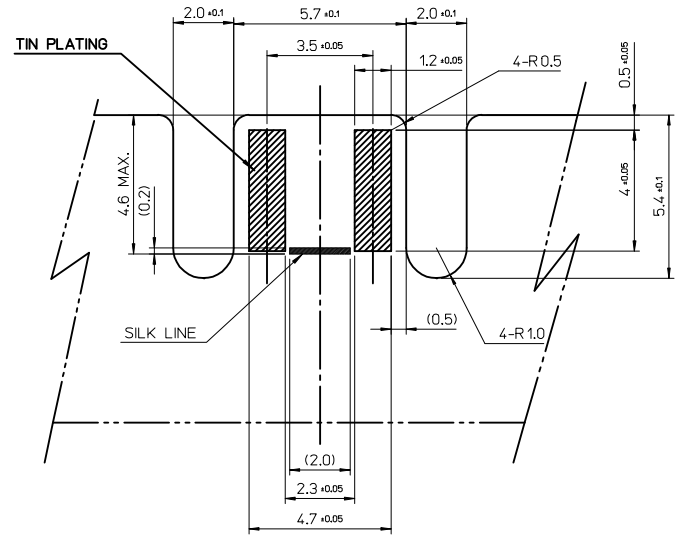
10 9 8 7 6 5 4 3 2 1



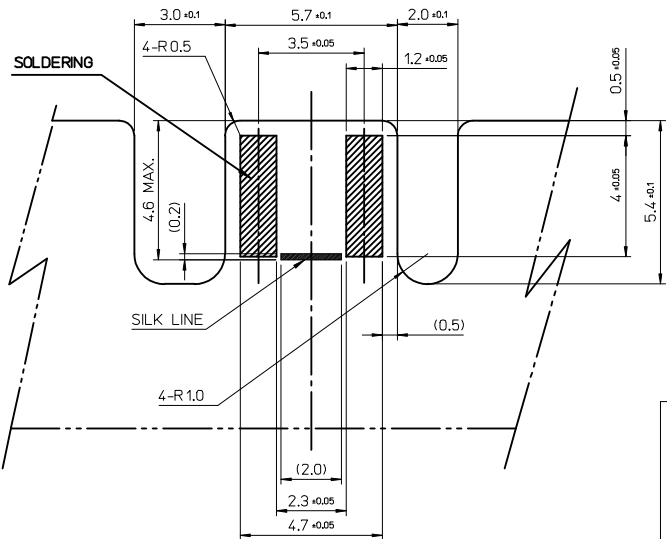
NOTE
1. MATERIALS
 ① - HEADER : LIQUID CRYSTAL POLYMER(LCP), UL94V-0, GLASS FILLED, HALOGEN FREE, COLOR OF NATURAL
 ② - CONTACT TERMINAL : PHOSPHOR BRONZE
2. FINISHES
 - CONTACT TERMINAL : PURE-TIN PLATING ON OVERALL. THICKNESS 2.0μm~4.0μm UNDER PLATING Ni OVERALL. THICKNESS 1.25μm~3.75μm

| | | | | | | | | | | | | | |
|---|--|-------------------------------|---------------------------------------|------------|----------------------------|------------|---|--|---------------------|------------------------|--|--|--|
| RELEASED EC NO: KOR2014-0120 DRWN: SCHONG03 CHKD: SHCHU APPR: YSK1M02 | 2014/04/22 2014/04/22 2014/04/22 | QUALITY SYMBOLS ▽=0 ∇=0 | GENERAL TOLERANCES (UNLESS SPECIFIED) | | DIMENSION STYLE MM ONLY | | SCALE 5/1 | DESIGN UNITS METRIC | | THIRD ANGLE PROJECTION | | | |
| | | | | mm | INCH | DRAWN BY | DATE | TITLE | | | | | |
| | | | 4 PLACES | ± --- | ± --- | SCHONG03 | 2014/04/22 | 3.5MM LED DIRECT TYPE CONN. -2P (A-TYPE) HEADER ASS'Y molex SD-104166-001 | | | | | |
| | | | 3 PLACES | ± --- | ± --- | CHECKED BY | DATE | | | | | | |
| 2 PLACES | ± 0.15 | ± --- | SHCHU | 2014/04/22 | | | | | | | | | |
| 1 PLACE | ± 0.20 | ± --- | APPROVED BY | DATE | | | | | | | | | |
| 0 PLACE | ± --- | ± --- | YSK1M02 | 2014/04/22 | MATERIAL NO. 1041660210 | | DOCUMENT NO. SD-104166-001 | | SHEET NO. 1 OF 2 | | | | |
| DRAFT WHERE APPLICABLE MUST REMAIN WITHIN DIMENSIONS | | | ANGULAR ± 1 ° | | SIZE A3 | | THIS DRAWING CONTAINS INFORMATION THAT IS PROPRIETARY TO MOLEX INCORPORATED AND SHOULD NOT BE USED WITHOUT WRITTEN PERMISSION | | | | | | |

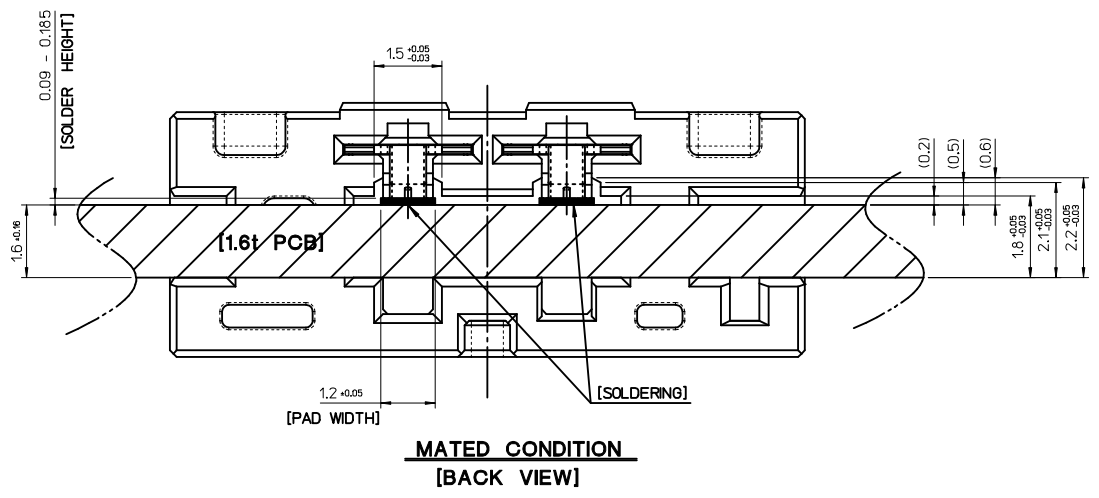
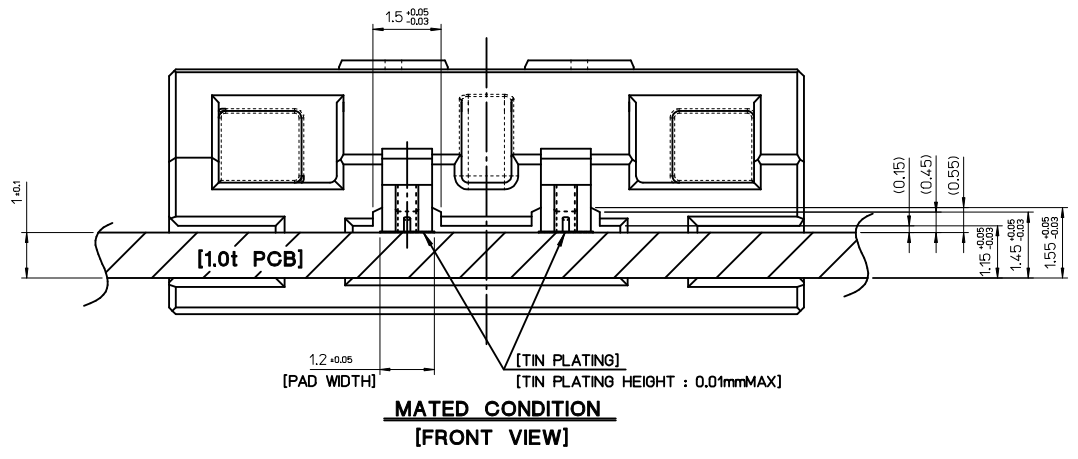
9 8 7 6 5 4 3 2 1



[1.0t PCB PATTERN]

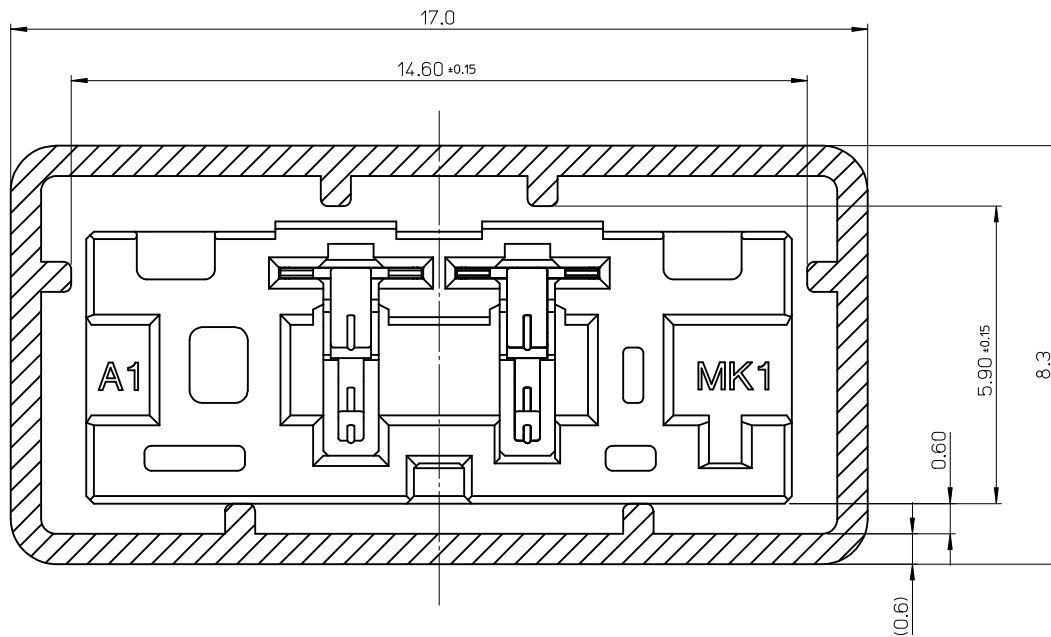
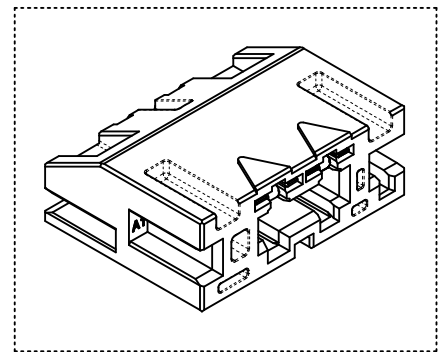
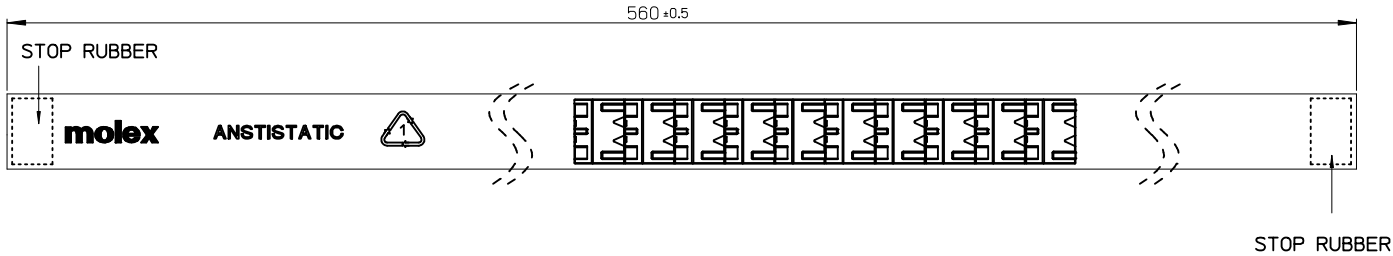


[1.6t PCB PATTERN]



| | | | | | | | |
|---|--|---------------------------------------|-----------------|--|---|------------------------|--|
| RELEASED EC NO: KOR2014-0120 DRWN: SCHONG03 2014/04/22 CHKD: SHCHU 2014/04/22 APPR: YSK1M02 2014/04/22 | QUALITY SYMBOLS | GENERAL TOLERANCES (UNLESS SPECIFIED) | DIMENSION STYLE | SCALE | ORDER NO. | 104166-0210 | |
| | ▽=0 ◻=0 | mm INCH | MM ONLY | 5/1 | DESIGN UNITS | METRIC | |
| | | 4 PLACES ± --- ± --- | DRAWN BY | DATE | TITLE | THIRD ANGLE PROJECTION | |
| | | 3 PLACES ± --- ± --- | SCHONG03 | 2014/04/22 | 3.5MM LED DIRECT TYPE CONN. -2P (A-TYPE) HEADER ASS'Y | | |
| | 2 PLACES ± 0.15 ± --- | CHECKED BY | DATE | molex MATERIAL NO. 1041660210 DOCUMENT NO. SD-104166-001 SHEET NO. 2 OF 2 | | | |
| | 1 PLACE ± 0.20 ± --- | SHCHU | 2014/04/22 | | | | |
| | 0 PLACE ± --- ± --- | APPROVED BY | DATE | THIS DRAWING CONTAINS INFORMATION THAT IS PROPRIETARY TO MOLEX INCORPORATED AND SHOULD NOT BE USED WITHOUT WRITTEN PERMISSION | | | |
| | ANGULAR ± 1 ° | YSK1M02 | 2014/04/22 | | | | |
| | DRAFT WHERE APPLICABLE MUST REMAIN WITHIN DIMENSIONS | SIZE | | | | | |
| | | A3 | | | | | |

10 9 8 7 6 5 4 3 2 1



NOTES.

- ① 1. PACKING QUANTITY : 48 PCS / TUBE
- 2. TOTAL TUBE LENGTH : 560mm±1mm
- 3. BURRS : 0.20mm MAX

| | |
|------------------------|-------------|
| ORDER NO. | 104166-0210 |
| DIMENSION STYLE | MM ONLY |
| SCALE | 10/1 |
| DESIGN UNITS | METRIC |
| THIRD ANGLE PROJECTION | |

| | | | | | | | |
|---|--|-------------------------|-----------------|---|-----------|------------|--|
| RELEASED EC NO: KOR2014-0120 DRWN: SCHONG03 CHKD: SHCHU APPR: YSK1M02 | 2014/04/22 2014/04/22 2014/04/22 | DESCRIPTION REV A | QUALITY SYMBOLS | GENERAL TOLERANCES (UNLESS SPECIFIED) mm INCH 4 PLACES ± --- ± --- 3 PLACES ± --- ± --- 2 PLACES ± 0.15 ± --- 1 PLACE ± 0.20 ± --- 0 PLACE ± --- ± --- ANGULAR ± 1 ° DRAFT WHERE APPLICABLE MUST REMAIN WITHIN DIMENSIONS | DRAWN BY | DATE | TITLE 3.5MM LED DIRECT TYPE CONN. -2P (A-TYPE) TUBE PACKING molex DOCUMENT NO. SD-104166-002 SHEET NO. 1 OF 1 |
| | | | ▼=0 □=0 | | SCHONG03 | 2014/04/22 | |
| | | | | | SHCHU | 2014/04/22 | |
| | | | | | YSK1M02 | 2014/04/22 | |
| | | | | MATERIAL NO. | SEE TABLE | | |

9 8 7 6 5 4 3 2 1