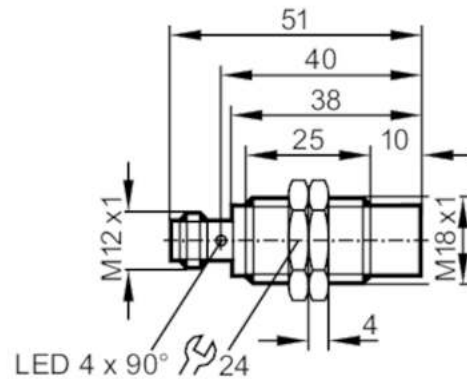


IGT200



Inductive sensor

IGB3012-BPKG/M/V4A/US-104-DPS



Product characteristics

Electrical design		PNP
Output function		normally open
Sensing range	[mm]	12
Housing		threaded type
Dimensions	[mm]	M18 x 1 / L = 51

Application

Special feature		Gold-plated contacts; Increased sensing range
Application		regular cleaning processes

Electrical data

Operating voltage	[V]	10...36 DC
Current consumption	[mA]	10; (24 V)
Protection class		II
Reverse polarity protection		yes

Outputs

Electrical design		PNP
Output function		normally open
Max. voltage drop switching output DC	[V]	2.5
Permanent current rating of switching output DC	[mA]	100
Switching frequency DC	[Hz]	300
Short-circuit protection		yes
Type of short-circuit protection		pulsed
Overload protection		yes

Detection zone

Sensing range	[mm]	12
Real sensing range Sr	[mm]	12 ± 10 %
Operating distance	[mm]	0...9.7

IGT200



Inductive sensor

IGB3012-BPKG/M/V4A/US-104-DPS

Increased sensing range	yes
-------------------------	-----

Accuracy / deviations

Correction factor	steel: 1 / stainless steel: 0.7 / brass: 0.5 / aluminium: 0.4 / copper: 0.3
Hysteresis [% of Sr]	3...15
Switch point drift [% of Sr]	-10...10

Operating conditions

Ambient temperature [°C]	0...100
Protection	IP 68; IP 69K; ("COP")

Tests / approvals

EMC	EN 61000-4-2 ESD	4 kV CD / 8 kV AD
	EN 61000-4-3 HF radiated	10 V/m
	EN 61000-4-4 Burst	2 kV
	EN 61000-4-6 HF conducted	10 V
	EN 55011	class B
MTTF [years]	1925	
UL approval	Ta	0...40 °C
	Enclosure type	Type 1
	power supply	Limited Voltage/Current
	File number UL	E174191

Mechanical data

Weight [g]	44.2
Housing	threaded type
Mounting	non-flush mountable
Dimensions [mm]	M18 x 1 / L = 51
Thread designation	M18 x 1
Materials	threaded sleeve: stainless steel (1.4404 / 316L); sensing face: PEEK

Displays / operating elements

Display	switching status	4 x 90° LED, yellow
---------	------------------	---------------------

Accessories

Items supplied	lock nuts: 2
----------------	--------------

Remarks

Pack quantity	1 pcs.
---------------	--------

Electrical connection - plug

Connector: 1 x M12; coding: A; Contacts: gold-plated



IGT200



Inductive sensor

IGB3012-BPKG/M/V4A/US-104-DPS

Connection

