

FWA-1212VC

Fanless Network Appliance for Edge Deployment with 5G and Wi-Fi6



Features

- Intel Atom® C3336/C3558/C3436L network SoC with Intel® QuickAssist Technology
- 1 x DDR4 2133/2400MHz, SODIMM (ECC optional) up to 16GB
- 2 x 1 GbE SFP/RJ45 combo ports (auto-negotiation)
- 4 x 1 GbE RJ45 LAN ports
- 1 x M.2 3052/3042 B-Key with SIM slot for 5G or LTE/4G module
- 1 x M.2 2230 E-Key for Wi-Fi module
- Supports eMMC onboard (default 16GB)
- 1 x mSATA slot
- 1 x 2.5" SSD bay

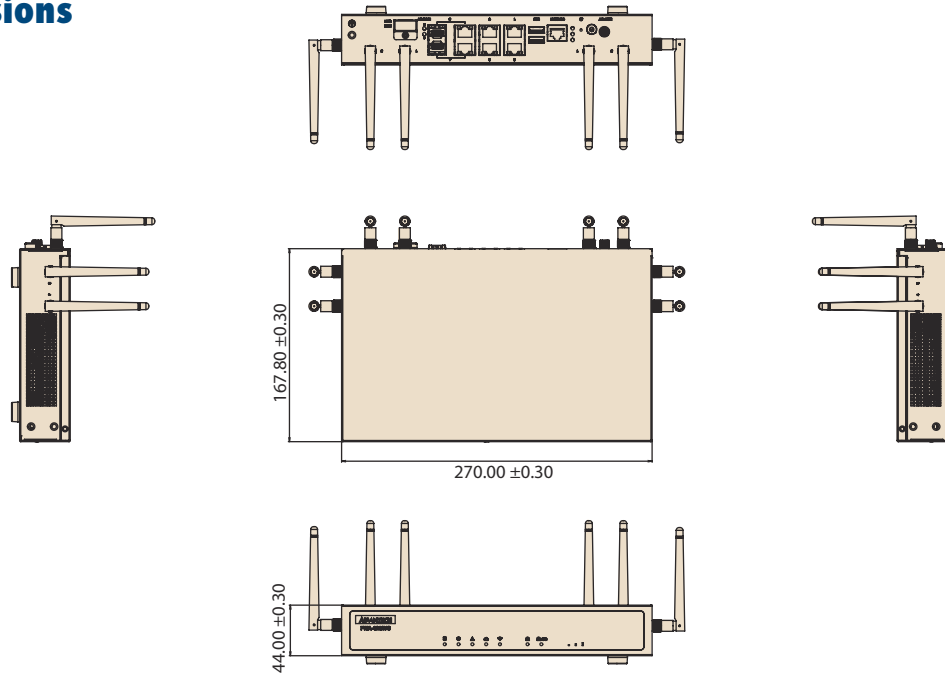


Specifications

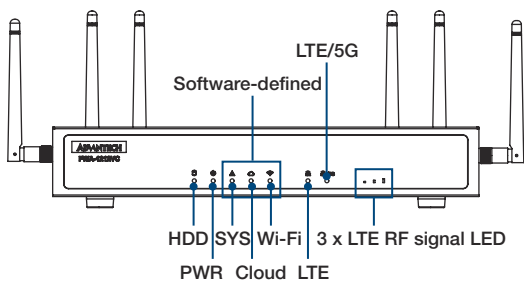
System PN		FWA-1212VC-2CA1S	FWA-1212VC-4CA1S	FWA-1212VCL-4CA1S
Form factor		Tabletop		
Processor System	Processor	Intel Atom C3336	Intel Atom C3558	Intel Atom C3436L
	Core Number	2C	4C	4C
	Frequency	1.5GHz	2.2GHz	1.3GHz
	L2 Cache	4MB	8MB	8MB
	BIOS	AMI EFI 128 Mbit		
Memory	Technology	DDR4 1866/2133/2400MHz		
	Max. Capacity	32GB		
	Socket	1 x 260pin SODIMM		
	ECC Option	Supports both ECC or non-ECC SODIMM memory		
Networking	Controller	1 x Marvell 88E1543 for 2 combo ports 4 x Intel i211 for 1GbE RJ45 LAN ports		
	1GbE	2 x 1GbE SFP/RJ45 combo ports (auto-negotiation) via Marvell 88E1543 PHY 4 x 1GbE RJ45 ports via Intel i211		
Expansion	Mini-PCIe	1 x Full-size Mini-PCIe with SIM slot for Mini-PCIe LTE, Wi-Fi module or encryption card;		
	m.2	1 x m.2 2230 E-key for Wi-Fi module 1 x m.2 3052 B-key for 5G module (compatible with m.2 3042 B-key for LTE/4G module)		
Storage	eMMC	eMMC 16GB default onboard		
	mSATA	1 x mSATA slot(share the same connector with Mini-PCIe)		
	1.5" HDD bay	1 x 2.5" SSD bay(optional)		
I/O	USB	2 x USB2.0 type A on rear		
	Serial	1 x Console port (RJ45 connector)		
	LED Indicator	Rear IO: power, system, cloud Front IO: HDD, power, system, cloud, Wi-Fi, LTE, LTE/5G and LTE RF signal LED		
	Others	1 x DC jack with lock on rear 1 x Power button with LED indicator 1 x Software definable button		
TPM	TPM	LPC connector reserved for TPM module option		
Power	Power Type	Adapter		
	Watts	36W		
	Input	100~240 V _{AC}		
	Connector	DC-Jack with lock		
	Power Adapter	12V 3A		
Environment	Operating Temperature	0 ~ 40° C (32 ~ 104° F)		
	Storage Temperature	-20 ~ 60° C (-40 ~ 140 °F) and 40° C @5~95% RH non-condensing		
Mechanical	Construction	Iron		
	Dimensions (W x H x D)	270 x 44 x 168 mm, 8.1" x1.32 " x 5.04"		
	Weight	About 3kg		
OS Support		Linux (CentOS7.6, Ubuntu 18.4, etc.)		
Advantech S/W Packages	QuickStart Linux Image (CentOS based reference BSP)	Afru, sensor-reader, Wi-Fi driver, 5G driver, Intel DPK, Intel QAT		
Certification/Safety		CCC/CE/FCC/UL/CB (RF certification is not included)		

Dimensions

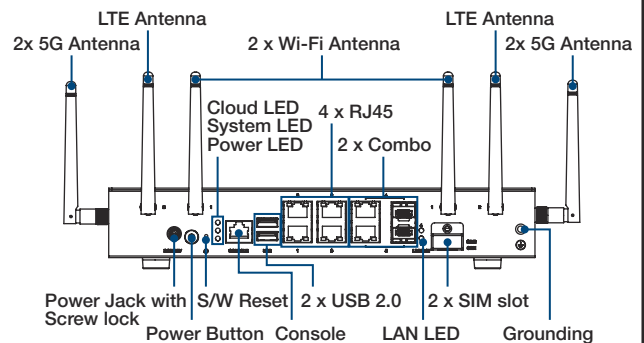
Unit: mm



Front Panel External I/O Mechanical Layout/Drawing



Rear Panel External I/O Mechanical Layout/Drawing



Ordering Information

Part Number	Processor	DDR4	2G Memory	Console slot	USB port	LAN Port	m.2 for LTE/5G slot	m.2 for Wi-Fi slot	Mini PCIe	SIM Card	2.5" SSD Bay
FWA-1212VCL-2CA1S	Intel Atom C3336	1	1	1	2	N/A	4	1	1	2	N/A
FWA-1212VC-2CA1S	Intel Atom C3336	1	N/A	1	2	2	4	1	1	2	1
FWA-1212VC-4CA1S	Intel Atom C3558	1	N/A	1	2	2	4	1	1	2	1
FWA-1212VCL-4CA1S	Intel Atom C3436L	1	N/A	1	2	2	4	1	1	2	1

Packing List

Part Number	Processor
Console cable	1
36W 12V 3A 100V-240V AC adaptor	1
China RoHS letter	1
FWA-1212VC system	1

Accessories

Item	Processor	Description
Power Code	1700001524	Power cord UL 3P 10A 125V 183cm, USA
	170203183C	Power cord EU 3P 2.5A 250V 183cm, Europe
	170203180A	Power cord BSI 3P 2.5A 250V 183cm, UK
	1700008921	Power cord PSE 3P 7A 125V 183cm, JP
	1700019146	Power cord CCC 3P 2.5A 250V 183cm, China