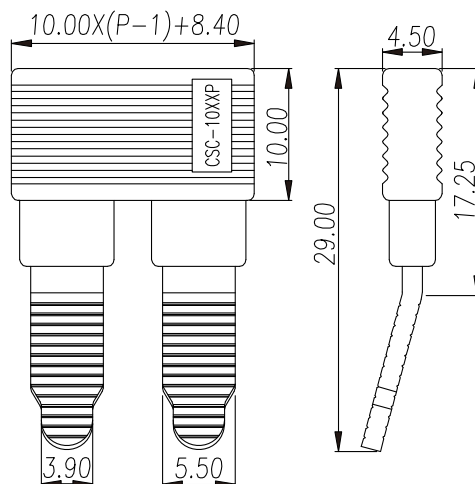


CSC-10XP



DIN Rail Terminal Blocks > Accessories > Insertion Bridge



Specification

Product description	Insertion Bridge
Color	Grey
Housing material	PA
Inflammability class	UL94-V0
Terminal material	Copper Alloy
Surface Plating	Tin plated
Position	02 , 03 , 04 , 10P
Compatible products	DK10
Package	50 pcs / box