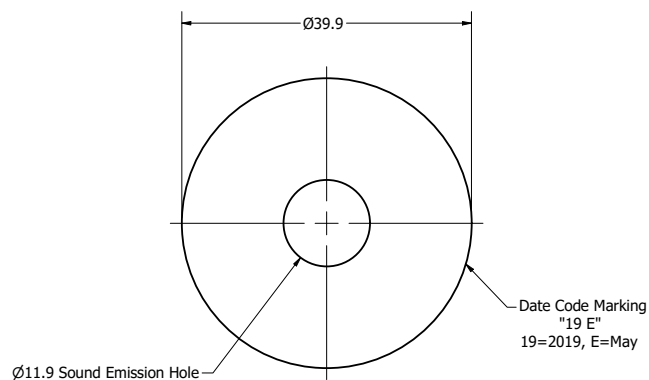
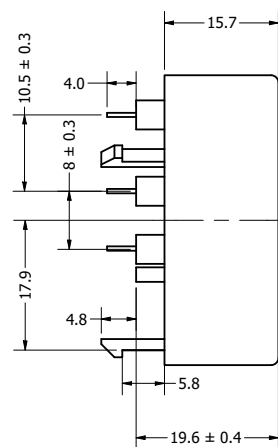


Part Number:	TP393409-1	
	DRAWN	5/23/2019
Description:	Piezo Transducer	
	CHECKED	5/28/2019
	APPROVED	5/28/2019
	C.E.	
<small>This document contains data proprietary to DB Unlimited. Any use or reproduction, in any form, without prior written permission of DB Unlimited is prohibited. All terms and conditions can be found at www.dbunlimitedco.com</small>		

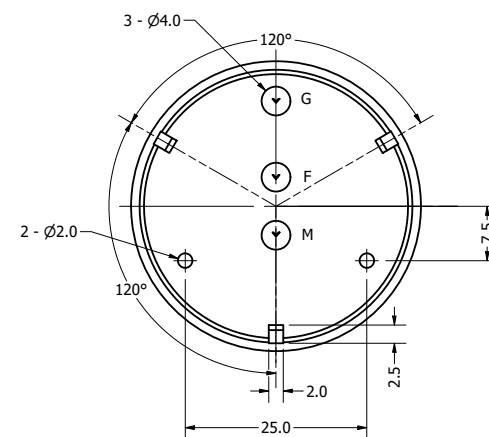
Top View



Side View



Bottom View



Items	Specifications	Conditions
Min. Sound Pressure Level	104	dB (@ 10cm)
Resonant Frequency	3,400	Hz
Rated Voltage	9	V
Voltage Range	3 ~ 15	V
Max. Rated Current	9	mA
Storage Temperature	-40 ~ +90	°C
Operating Temperature	-40 ~ +85	°C
Connection Method	PC Pins	
Mount Type	Thru Hole	
Housing Material	PBT	
Weight	14.5	g

REVISION HISTORY

REV	DESCRIPTION	DATE	APPROVED
	Released from Engineering	10/21/2013	J.S.
1	Updated to new template, temps, current, voltage range, dimensions, housing material	5/28/2019	C.E.

NOTES

- 1) All dimensions are in mm unless otherwise noted
- 2) All tolerances are ± 0.5 mm unless otherwise noted
- 3) All parts meet RoHS
- 4) Subject to change or redrawn without notice