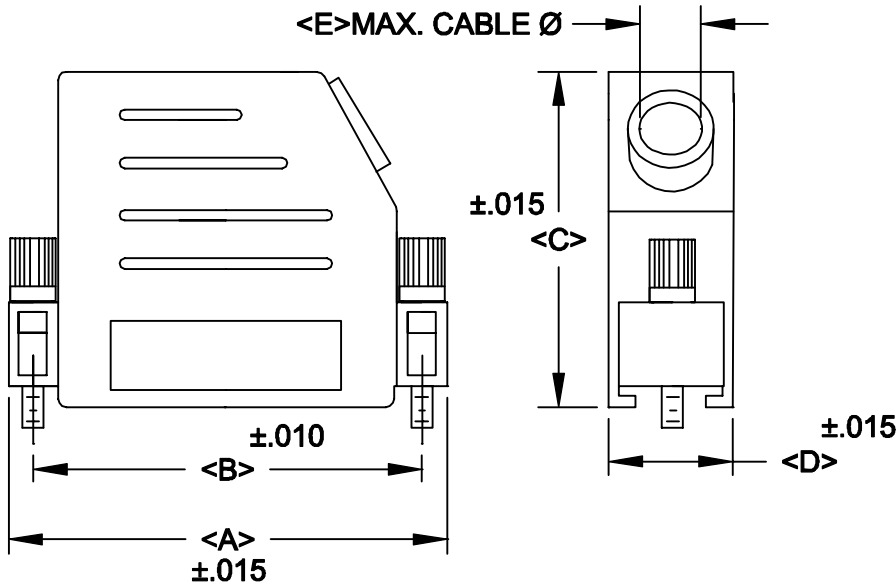


DESCRIPTION: **974 SERIES D-SUB BACKSHELL**

- BACKSHELL KIT INCLUDES:**
 (2) BACKSHELL HALVES
 (2) 4-40 THUMBSCREWS
 (2) HOUSING SCREWS
 (1) METAL STRAIN RELIEF CLAMP
 (2) STRAIN RELIEF SCREWS

974-XXX-XXX-XX1

SERIES _____
 POSITIONS _____
 009 _____
 015 _____
 025 _____
 037 _____
 050 _____
 MATERIAL _____
 010 = PLASTIC
 020 = METALIZED PLASTIC
 COLOR: _____
 01 = BLACK
 12 = NICKEL OVER COPPER
 PUT-UPS _____
 1 = KIT



POS.	A	B	C	D	
9	1.240	.984	1.457	.598	.335
	31.50	24.99	37.01	15.19	8.51
15	1.575	1.312	1.457	.598	.335
	40.01	33.32	37.01	15.19	8.51
25	2.106	1.852	1.614	.598	.433
	53.49	47.04	41.00	15.19	11.00
37	2.756	2.500	1.614	.598	.433
	70.00	63.50	41.00	15.19	11.00
50	2.670	2.406	1.614	.717	.472
	67.82	61.00	41.00	18.21	11.99

METALIZED PLASTIC:
 MATERIAL: HIGH TEMPERATURE ABS
 PLATING: NICKEL OVER COPPER
PLASTIC:
 MATERIAL: HIGH TEMPERATURE ABS
 COLOR: BLACK

	THESE DRAWINGS AND SPECIFICATIONS ARE THE PROPERTY OF NorComp AND SHALL NOT BE REPRODUCED, COPIED OR USED AS THE BASIS FOR THE MANUFACTURE OR SALE OF APPARATUS WITHOUT WRITTEN PERMISSION.		DRAWN: PAM JENKINS	DATE: 7-30-98
			CHECKED:	DATE:
NorComp		SCALE:	SHEET	OF
		REV 2		
		DWG NO. 974-XXX-0X0-XX1		