

4

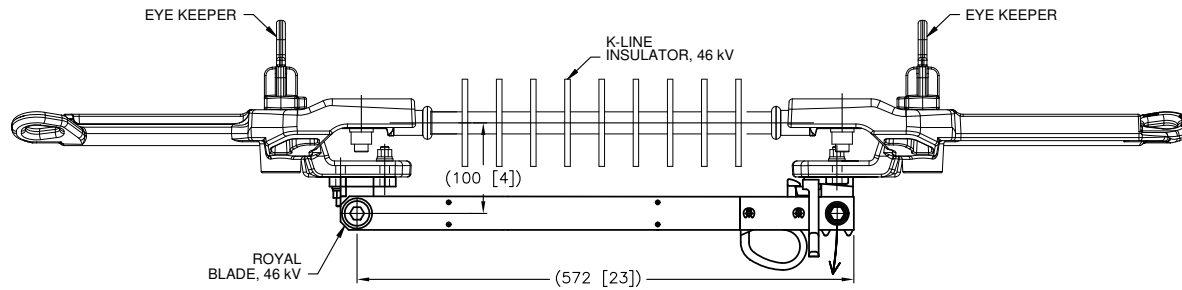
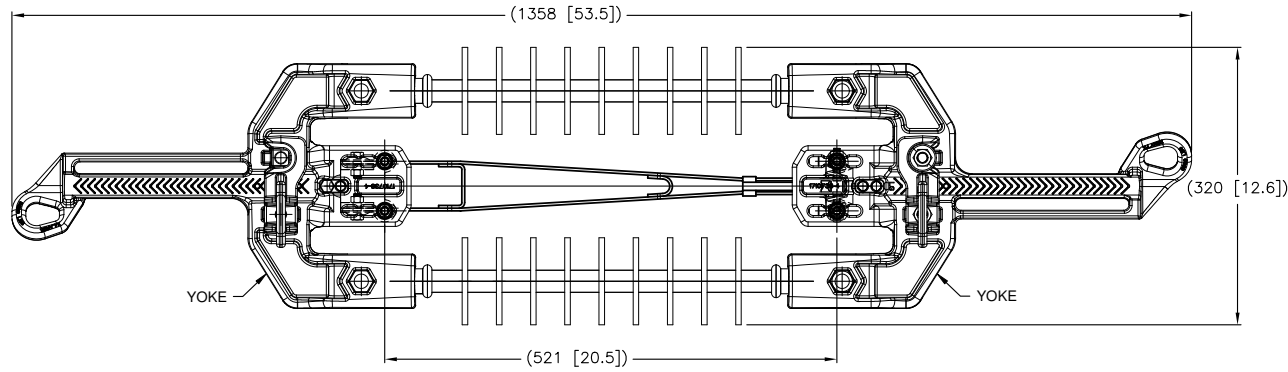
3

2

1

THIS DRAWING IS UNPUBLISHED. RELEASED FOR PUBLICATION
 © COPYRIGHT - By - ALL RIGHTS RESERVED.

REVISIONS					
REV	DATE	DESCRIPTION	BY	CHK	APPV
C	21FEB2012	LC20-0014-12 / ECO-12-003549	DM	BJ	
D	14APR2016	LC20-0031-16 / ECO-16-005675	DM	BJ	
E	21JUL2016	LC20-0085-16 / ECO-16-011010	DM	BJ	
F	29JUN2019	LC20-0060-19 / ECO-19-010173	DM	BJ	



- BODY STRENGTH: 10,000 lbs.
PULLING EYE STRENGTH: 6000 lbs.
- BLADE DETAIL MAY NOT BE EXACTLY AS SHOWN.
- 1710734-1 WILL BE REPLACED BY 1710734-5 IN THE FUTURE.

40,000 AMPERE RMS, ASYMMETRICAL	25,000 AMPERE RMS, SYMMETRICAL	900 AMPERE RMS	60 HERTZ	275 kV	46 kV AC
MOMENTARY CURRENT	THREE SECOND CURRENT	CONTINUOUS CURRENT ALLOWABLE RATING: (PER ANSI C37-32.3.2.1 2002)	FREQUENCY	BASIC IMPULSE INSULATION LEVEL (BIL)	VOLTAGE
SHORT TIME CURRENT					
RATINGS					

X-SMALL	1710734-5
X-SMALL	1710734-4
X-LARGE	1710734-3
LARGE	1710734-2
SMALL	1710734-1
YOKE SIZE IN ILD ASSEMBLY	PART NO.

THIS DRAWING IS A CONTROLLED DOCUMENT.		DWN: D. MURUGIAH 12FEB2010 CHK: S. KAMEL 29MAR2010 APPV: B. JOHNSON 29MAR2010	TE TE Connectivity	
DIMENSIONS: mm [INCHES]	TOLERANCES UNLESS OTHERWISE SPECIFIED: 0 PLC ± - 1 PLC ± - 2 PLC ± - 3 PLC ± - 4 PLC ± - ANGLES ± -	NAME: INLINE DISCONNECT SWITCH ASSEMBLY WITHOUT TAPS, AMPACT, 46 kV, 900 Amp APPLICATION SPEC: - WEIGHT: 0	SIZE: A2 CAGE CODE: 00779 DRAWING NO: 1710734	RESTRICTED TO: - SCALE: NTS SHEET: 1 of 1 REV: F
MATERIAL: -		CUSTOMER DRAWING		

1710734