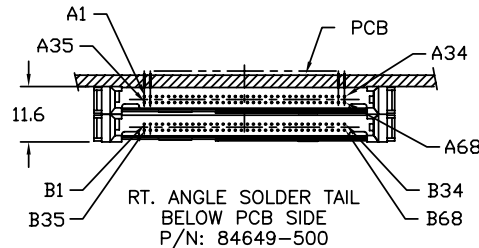
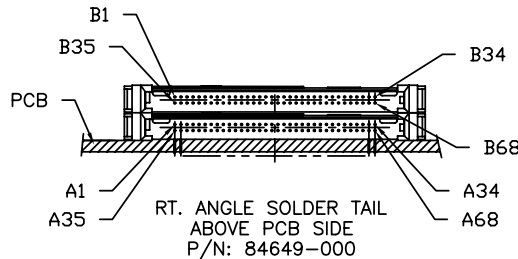
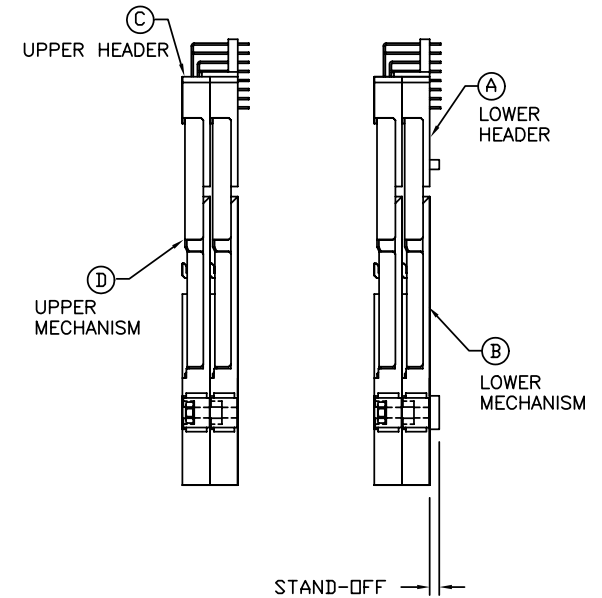
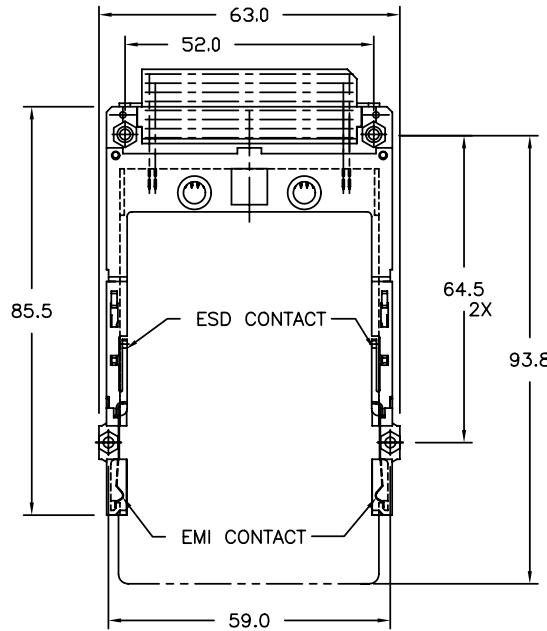
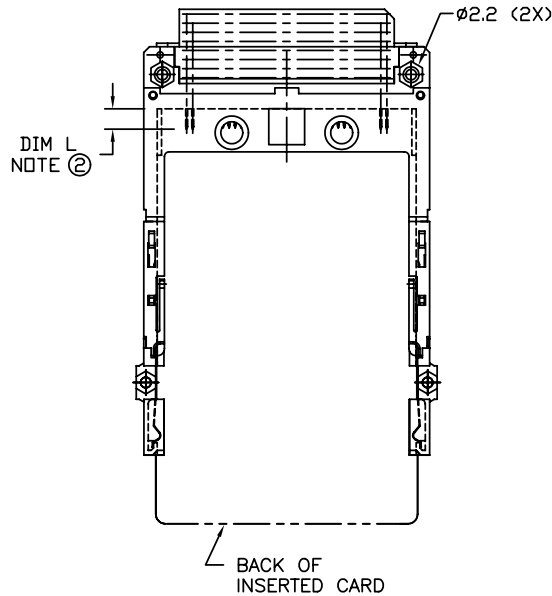


Tous droits strictement reserves. Reproduction ou communication a des tiers interdite sous quelque forme que ce soit sans autorisation ecrite du proprietaire. Propriete de c FCI. Droits de reproduction FCI.

All rights strictly reserved. Reproduction or issue to third parties in any form whatever is not permitted without written authority from the proprietor. Property of FCI. Copyright FCI.



PCMCIA COMPONENTS:
DOUBLE DECK ASSEMBLY



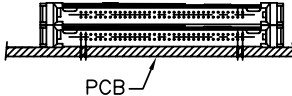
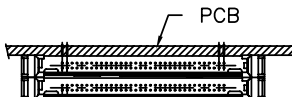
- REFER TO HEADER DRAWING 94898 AND NON-EJECT MECHANISM 92791 FOR ADDITIONAL DIMENSIONS, MATERIAL, AND PLATING INFORMATION.
- RECOMMENDED SCREW TORQUE: 1.0 TO 1.5 MAX in-lbs. (1.2-1.7 cm-kgs).

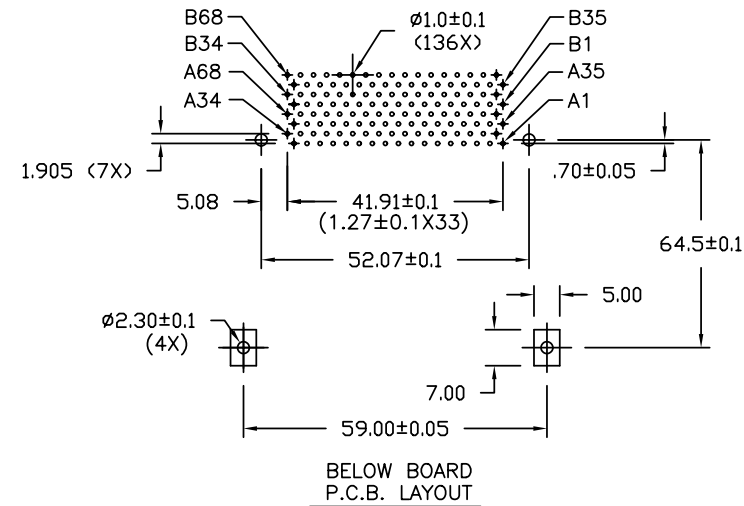
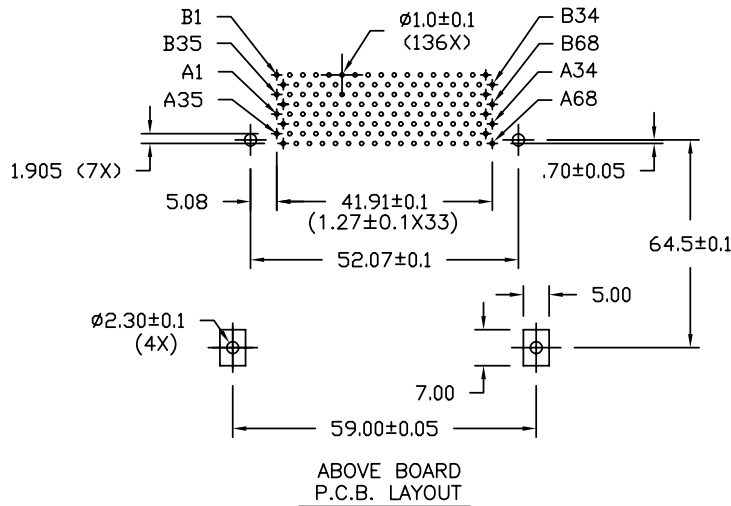
mat'l. code				tolerances unless otherwise specified		CUSTOMER COPY	 www.fciconnect.com			
ltr	ecn no	dr	date	linear	.X±.3			 projection	title 3.3V DOUBLE DECK NON-EJECT HEADER ASS'Y	
A	V81226	RHG	6/22/98		.XX±.13	 MM scale 1:1	product family MCS			code -
B	V12164	TFG	8/17/01		.XXX±.051					
C	V03-0517	WL	05/29/03	angles	0° ±2°					
D	N09-0148	SH	05/14/09	dr	R.GRAPE 6/22/98					
				engr	D.BRANN 6/22/98					
				chr	D.BRANN 6/22/98					
				appd	D.BRANN 6/22/98					
sheet index	revision sheet	C	C	1	2					

PDM: Rev:D 3

STATUS Released 82520 Printed: Oct 12, 2010

PCMCIA COMPONENTS: DOUBLE DECK ASSEMBLY


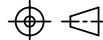
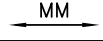
PCB SIDE ①	STANDOFF (MM)	LOWER DECK		UPPER DECK		TO MAKE FINAL ASSY PART NUMBER	MOUNTING STYLE TO P.C.B.
		Ⓐ HEADER	Ⓑ MECHANISM	Ⓒ HEADER	Ⓓ MECHANISM		
ABOVE	NONE	94898-000	92791-001	94898-005	92791-001	84649-000	 <p>PCB</p>
ABOVE	NONE	94898-000LF	92791-001	94898-005LF	92791-001	84649-000LF	
ABOVE	2	94898-040	92791-021	94898-045	92791-001	84649-020	
BELOW	NONE	94898-500	92791-001	94898-505	92791-001	84649-500	 <p>PCB</p>
BELOW	2	94898-540	92791-021	94898-545	92791-001	84649-520	



NOTES:

- ① PCB SIDE IS AS APPEARS INSTALLED.
- ② DIM L

4.25±0.1	3.5±0.1	5.0±0.1
OTHERS	36,67	1,17,34,35,51,68

mat'l. code				tolerances unless otherwise specified		CUSTOMER COPY		 www.fciconnect.com		
ltr	ecn no	dr	date	linear	.X±.3	projection		title		
D					.XX±.13			3.3V DOUBLE DECK NON-EJECT HEADER ASS'Y		
				angles	.XXX±.051	MM		product family		
				0° ±2°	.XXX±.051			MCS		code
				dr	R.GRAPE 6/22/98	scale	1:1	size		
				enr	D.BRANN 6/22/98			84649		sheet
				chr	D.BRANN 6/22/98					2 of
				appd	D.BRANN 6/22/98					
sheet index	revision sheet									

Tous droits strictement reserves. Reproduction ou communication a des tiers interdite sous quelque forme que ce soit sans autorisation ecrite du proprietaire. Propriete de c FCI. Droits de reproduction FCI.



All rights strictly reserved. Reproduction or issue to third parties in any form whatever is not permitted without written authority from the proprietor. Property of FCI. Copyright FCI.