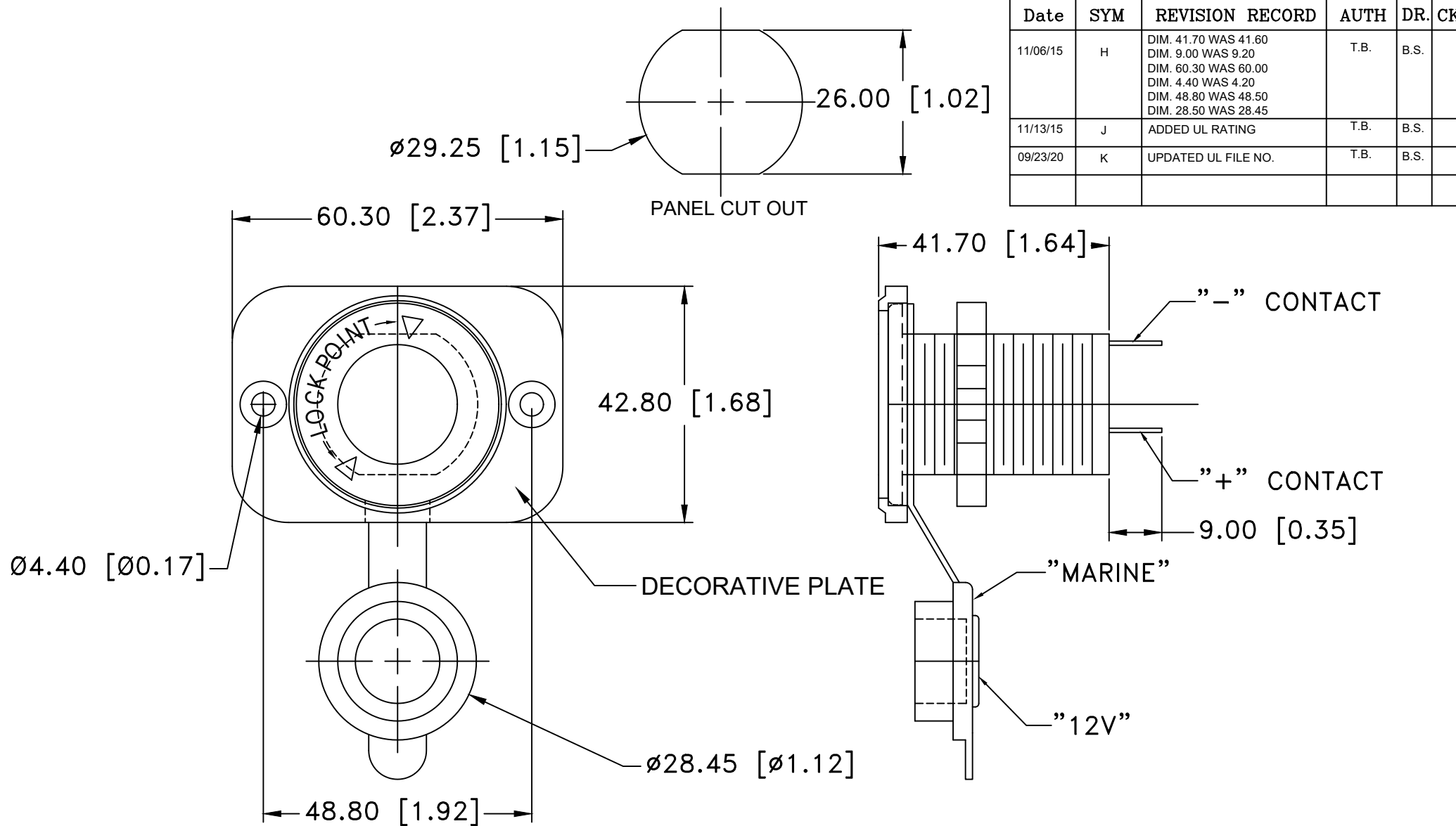



Date	SYM	REVISION RECORD	AUTH	DR.	CK.
11/06/15	H	DIM. 41.70 WAS 41.60 DIM. 9.00 WAS 9.20 DIM. 60.30 WAS 60.00 DIM. 4.40 WAS 4.20 DIM. 48.80 WAS 48.50 DIM. 28.50 WAS 28.45	T.B.	B.S.	
11/13/15	J	ADDED UL RATING	T.B.	B.S.	
09/23/20	K	UPDATED UL FILE NO.	T.B.	B.S.	



MATERIAL SPECIFICATION:
COVER: PVC
BODY: NYLON #66 WITH 30% GLASS FILLED,
UL FILE # E41781, UL94V-0
CONTACTS: BRASS, NICKEL PLATED
NUT: NYLON #66
BASE: NYLON #66
DECORATIVE PLATE: NYLON #66
RATING: 12V, 20AMP
ROHS COMPLIANT

Tolerance (Except as noted)	 Memory Protection Devices, Inc 200 Broad Hollow Road, Farmingdale, New York 11735		
	decimal $\pm .5$ (.020)	Scale	Drawn By B.S. Approved By T.B.
Fractional $\pm .8$ (.030)	Title 12V CIGARETTE SOCKET, 20AMP		
Angular $\pm 3^\circ$	Date 09/23/20	Drawing Number AS212	